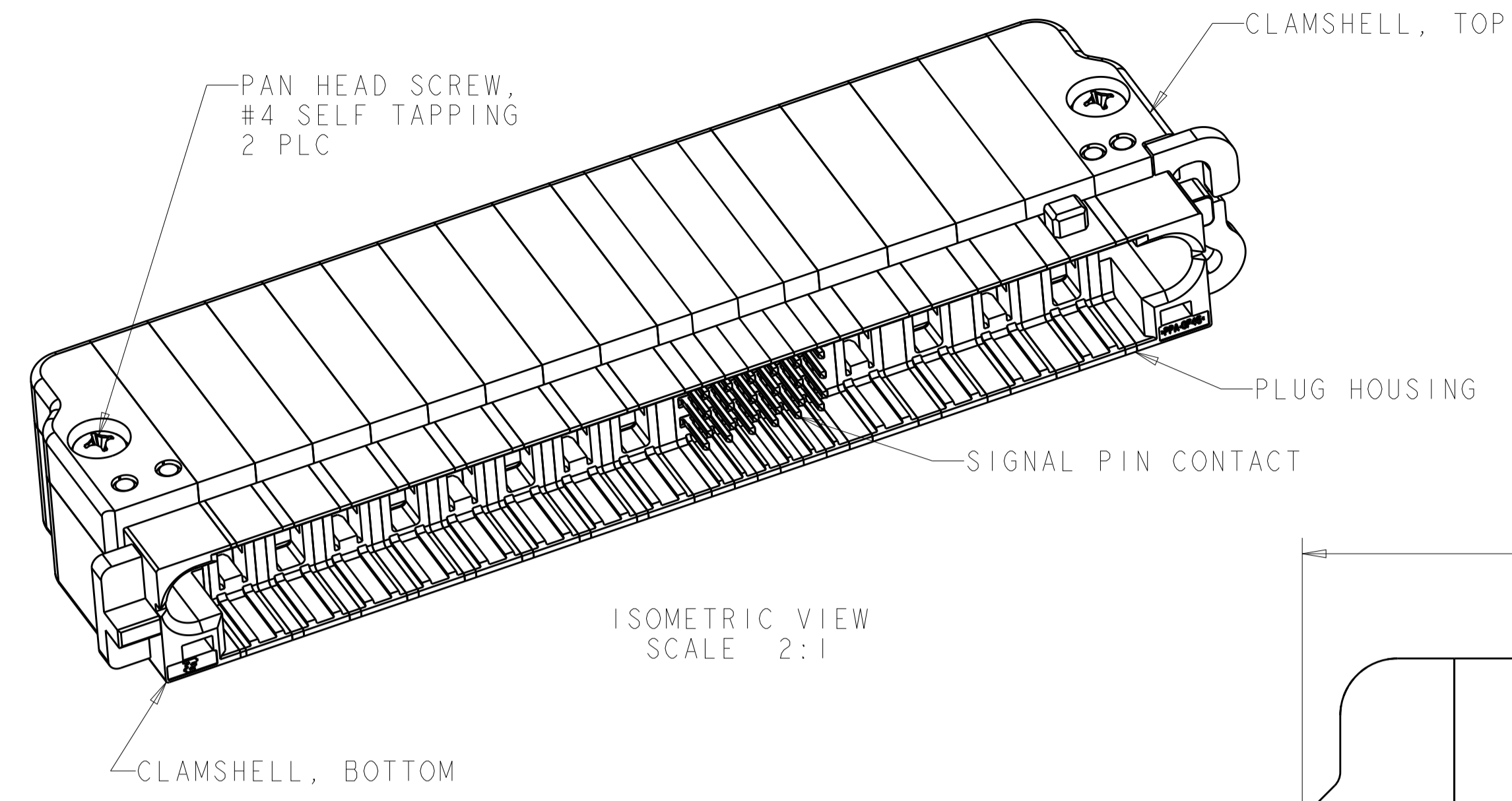
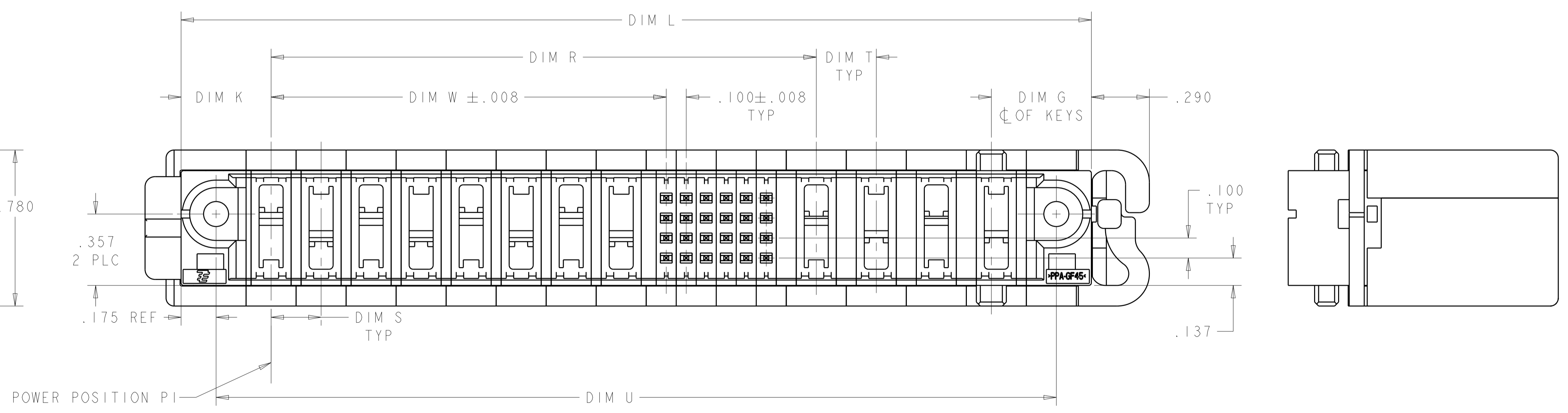
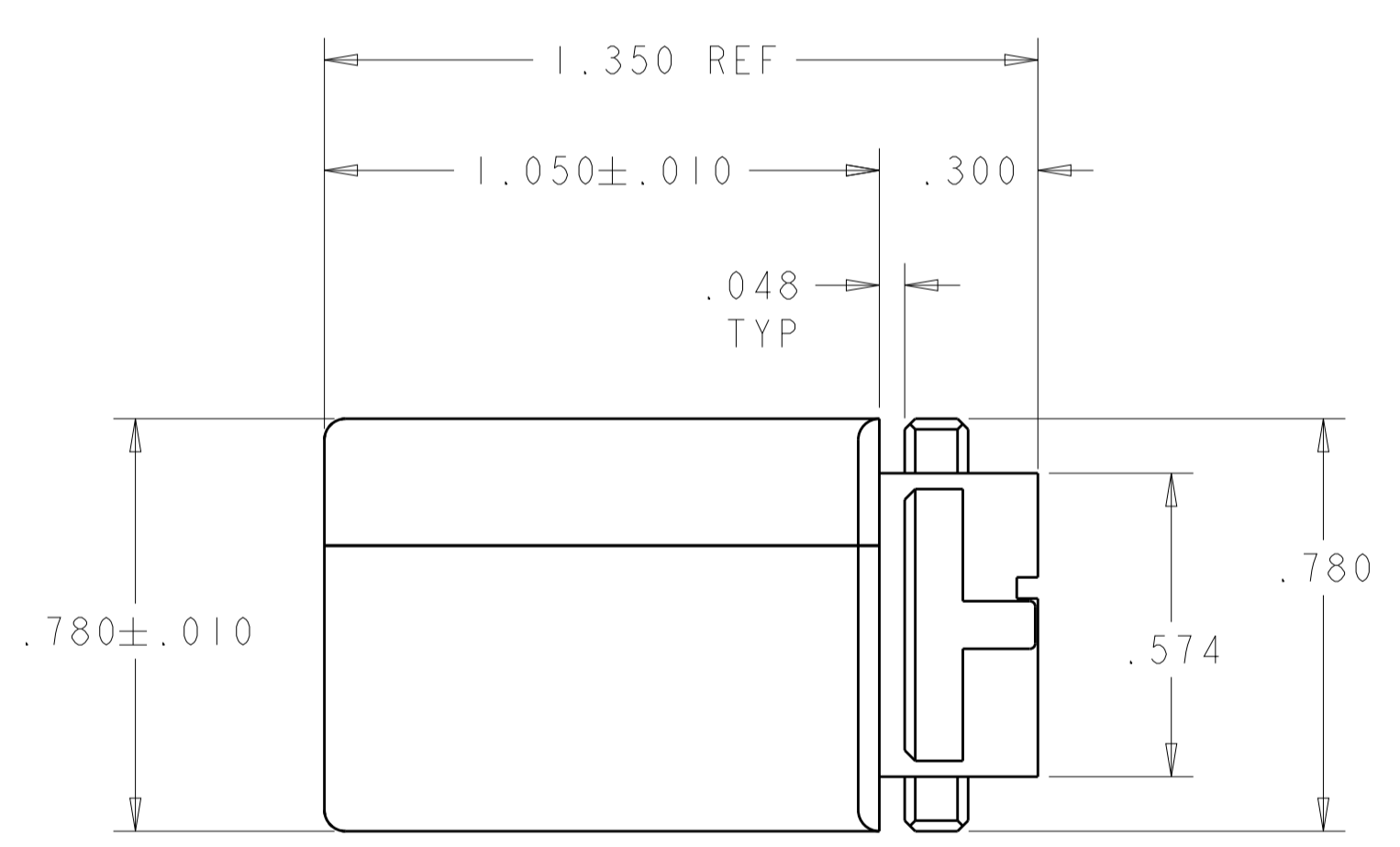
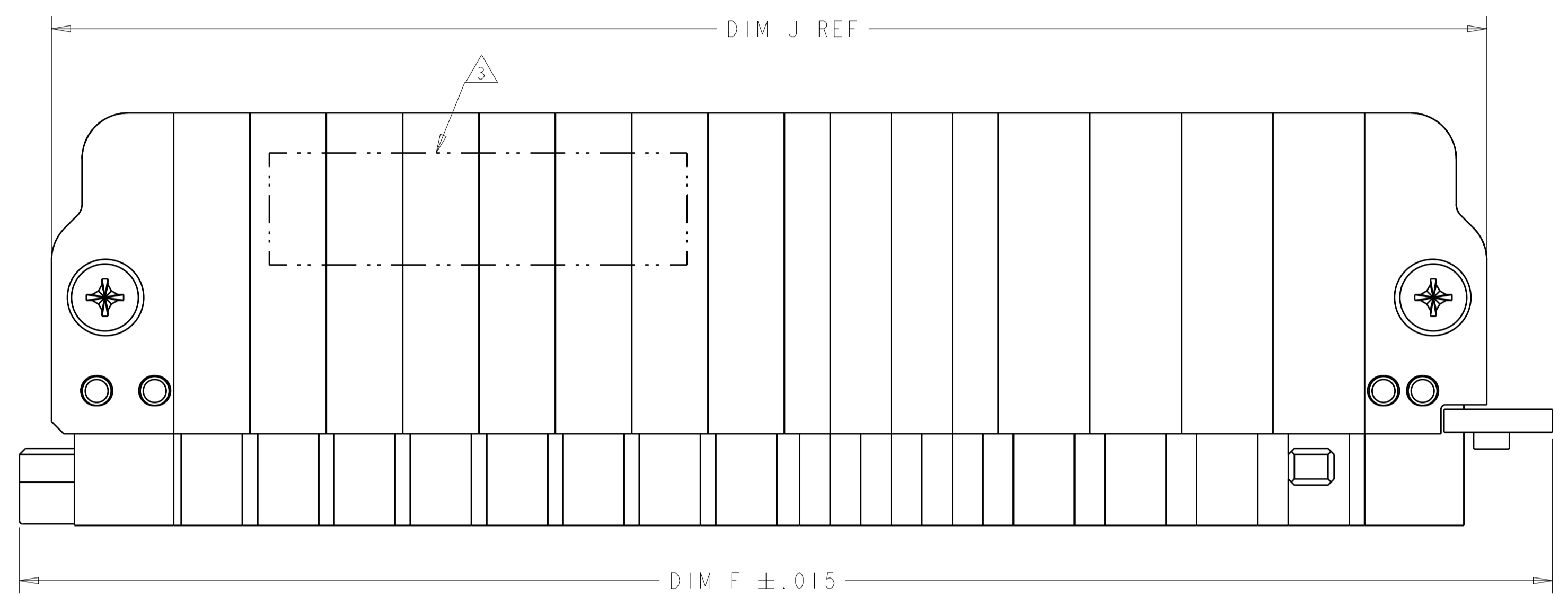


LOC	DIST	REVISIONS					
		P	LTN	DESCRIPTION	DATE	DWN	APVD
ES	00						
		C6		REV PER ECR-11-007251	08APR2011	IL	SZ
		C7		DIMENSION REVIEW	10MAY2011	ML	SZ
		C8		CHANGE SPACER .05" TO .1" FOR-11	29JUNE2011	LW	SZ
		C9		ADD NEW DASH NUMBER 1-3 AND 1-4	14DEC2014	CZ	SZ



- ⚠ CLAMSHELLS AND HEADER HOUSING: THERMO PLASTIC, UL94 V-0, CONTACTS: COPPER ALLOY; SCREWS: STEEL.
- ⚠ CONTACTS: .000030 MIN GOLD IN MATING AREA, .000050 MIN TIN ON CRIMP AREAS, BOTH OVER .000050 MIN NICKEL. SCREWS: ZINC
- ⚠ TYCO PART NUMBER AND DATE CODE MARKED IN AREA.
- ⚠ DIM S IS CENTERLINE SPACING OF POWER MODULES ON LEFT SIDE OF CONNECTOR.
- ⚠ DIM T IS CENTERLINE SPACING OF POWER MODULES ON RIGHT SIDE OF CONNECTOR.
- ⚠ NOT RELEASE FOR PRODUCTION.
- ⚠ VARIABLE DIMENSIONS SHOW ON PAGE 2



POWER POSITION PI

THIS DRAWING IS A CONTROLLED DOCUMENT.

DIMENSIONS: INCHES

TOLERANCES UNLESS OTHERWISE SPECIFIED:

0 PLC	±
1 PLC	±.02
2 PLC	±.02
3 PLC	±.005
4 PLC	±.002
ANGLES	±.0020
FINISH	⚠

MATERIAL: ⚠

APPROVALS:

DWN	D. RINGLER	04FEB2005
CHK	D. TROUT	08FEB2005
APVD	R. WHYNE	10FEB2005

PRODUCT SPEC: 108-2157-1

APPLICATION SPEC: 114-13164

WEIGHT: -

CUSTOMER DRAWING

SCALE: 3:1

SHEET 1 OF 5

REV: C9

STE TE Connectivity

NAME: SLIDE TO LOCK CABLE PLUG ASSEMBLY MULTI-BEAM XL

SIZE: A1

CAGE CODE: 1600820

THIS DRAWING IS UNPUBLISHED. RELEASED FOR PUBLICATION 20
 © COPYRIGHT 20 ALL RIGHTS RESERVED.

LOC		DIST		REVISIONS			
ES	00	P	LTN	DESCRIPTION	DATE	DMN	APVD

.475	2.920	2.600	2.450	2.300	.250	.250	1.050	.725	.450	3P(10AWG) + 8S + 3P(10AWG)	1-1600820-4
.475	2.420	2.100	1.950	1.600	.250	.250	.800	.475	.450	2P(10AWG) + 8S + 2P(10AWG)	1-1600820-3
.500	3.120	2.800	2.650	2.300	-	.300	.925 Δ	.425 Δ	-	0P + 16S + 5ACP	1-1600820-2
.500	2.620	2.300	2.150	1.800	.300	.300	.900	.550	.475	2ACP(8AWG) + 8S + 2ACP(8AWG)	1-1600820-1
.500	3.820	3.500	3.350	3.000	.300	.300	1.800	.850	.475	3ACP(8AWG) + 32S + 3ACP(8AWG)	1-1600820-0
.475	3.095	2.775	2.625	2.275	-	.250	.925 Δ	.425 Δ	-	0P + 16S + 6P(14AWG)	1600820-9
.475	5.920	5.600	5.450	5.100	.250	.250	3.050	1.725	.450	7P(12AWG) + 48S + 7P(12AWG)	1600820-8
.500	2.370	2.050	1.900	1.550	-	.325	.775 Δ	.425 Δ	-	0P + 8S + 3ACP(14AWG)	1600820-7
.475	3.020	2.700	2.550	2.200	.300	.300	1.300	.550	.475	2ACP(8AWG) + 24S + 2ACP(8AWG)	1600820-6
.450	3.420	3.100	2.950	2.600	.200	.200	1.500	.800	.425	4HDP(14AWG) + 24S + 4HDP(14AWG)	1600820-5
.500	3.620	3.300	3.150	2.800	.300	.300	1.600	.850	.475	3ACP(8AWG) + 24S + 3ACP(8AWG)	1600820-4
.475	2.820	2.500	2.350	2.000	.250	.250	1.200	.475	.450	2P(10AWG) + 24S + 2P(10AWG)	1600820-3
.475	2.120	1.800	1.650	1.300	-	-	.750	.225	.450	1P(10AWG) + 16S + 1P(10AWG)	1600820-2
.475	2.320	2.000	1.850	1.500	-	-	.950	.225	.450	1P(10AWG) + 24S + 1P(10AWG)	1600820-1
DIM G	DIM F	DIM J	DIM L	DIM U	DIM S Δ	DIM T Δ	DIM R	DIM W	DIM K	DESCRIPTION	PART NUMBER

THIS DRAWING IS A CONTROLLED DOCUMENT.

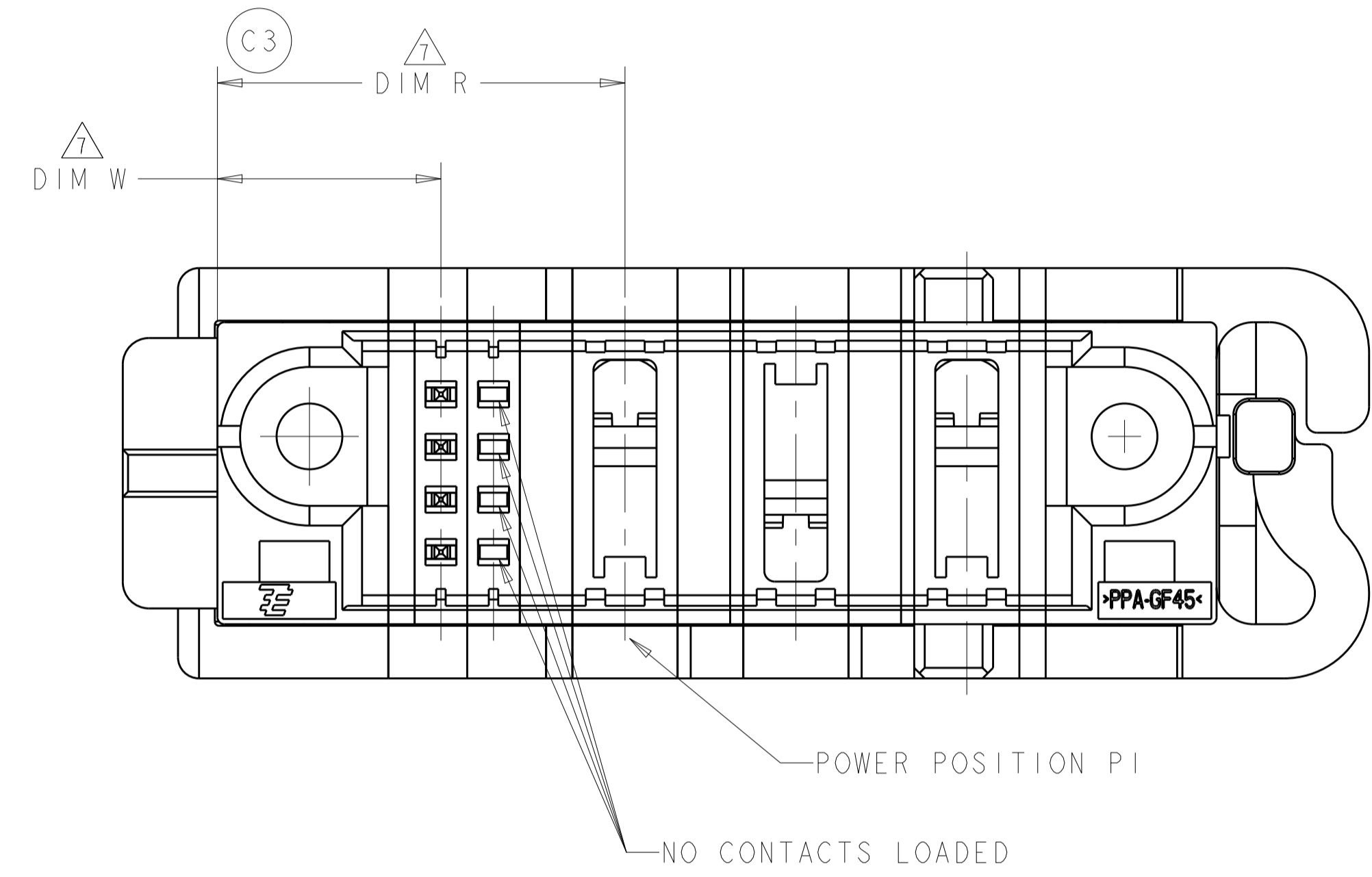
DMN D. RINGLER 04FEB2005	CHK D. TROUT 08FEB2005	APVD P. WHYNE 10FEB2005	NAME SLIDE TO LOCK CABLE PLUG ASSEMBLY MULTI-BEAM XL
DIMENSIONS: INCHES		TOLERANCES UNLESS OTHERWISE SPECIFIED: 0 PLC ±. 2 PLC ±.02 3 PLC ±.005 4 PLC ±.0020 ANGLES	PRODUCT SPEC 108-2157-1 APPLICATION SPEC 114-13164
MATERIAL		FINISH	WEIGHT
CUSTOMER DRAWING		SCALE 3:1	SHEET 2 OF 5 REV C9

STE TE Connectivity

SIZE CAGE CODE DRAWING NO RESTRICTED TO
A100779C=1600820 -

THIS DRAWING IS UNPUBLISHED. RELEASED FOR PUBLICATION 20
 © COPYRIGHT 20 ALL RIGHTS RESERVED.

LOC	DIST	REVISIONS			
ES	00	REV	DATE	BY	APPD



FOR PART NUMBER 1600820-7 AND 1600820-9

THIS DRAWING IS A CONTROLLED DOCUMENT.		DWN D. RINGLER 04FEB2005	TE Connectivity												
DIMENSIONS: INCHES		CHK D. TROUT 08FEB2005													
TOLERANCES UNLESS OTHERWISE SPECIFIED:		APVD P. WHYNE 10FEB2005	NAME SLIDE TO LOCK CABLE PLUG ASSEMBLY MULTI-BEAM XL												
<table border="1"> <tr> <td>0 PLC</td> <td>±</td> </tr> <tr> <td>1 PLC</td> <td>±</td> </tr> <tr> <td>2 PLC</td> <td>±0.02</td> </tr> <tr> <td>3 PLC</td> <td>±0.005</td> </tr> <tr> <td>4 PLC</td> <td>±0.002</td> </tr> <tr> <td>ANGLES</td> <td>±</td> </tr> </table>		0 PLC	±	1 PLC	±	2 PLC	±0.02	3 PLC	±0.005	4 PLC	±0.002	ANGLES	±	PRODUCT SPEC 108-2157-1	SIZE 114-13164
0 PLC	±														
1 PLC	±														
2 PLC	±0.02														
3 PLC	±0.005														
4 PLC	±0.002														
ANGLES	±														
MATERIAL		APPLICATION SPEC 114-13164	RESTRICTED TO												
FINISH		WEIGHT	A100779C=1600820												
CUSTOMER DRAWING		SCALE 1:1	SHEET 3 OF 5 REV C9												

PART NUMBER	ROWS	POWER		SIGNAL						POWER	
		P1	P2	1	2	3	4	5	6	P2	P1
1600820-1	D	CP	CP	CT	CT	CT	CT	CT	CT	CT	CP
	C			CT	CT	CT	CT	CT	CT		
	B			CT	CT	CT	CT	CT	CT		
	A			CV	CV	CV	CV	CV	CV		
1P(10AWG) + 24S + 1P(10AWG)											

PART NUMBER	ROWS	POWER		SIGNAL				POWER	
		P1	P2	1	2	3	4	P2	P1
1600820-2	D	CP	CP	CT	CT	CT	CT	CP	
	C			CT	CT	CT	CT		
	B			CT	CT	CT	CT		
	A			CV	CV	CV	CV		
1P(10AWG) + 16S + 1P(10AWG)									

PART NUMBER	ROWS	POWER		SIGNAL						POWER	
		P1	P2	1	2	3	4	5	6	P3	P4
1600820-3	D	CP	CP	CT	CT	CT	CT	CT	CT	CP	CP
	C			CT	CT	CT	CT	CT			
	B			CT	CT	CT	CT	CT			
	A			CV	CV	CV	CV	CV			
2P(10AWG) + 24S + 2P(10AWG)											

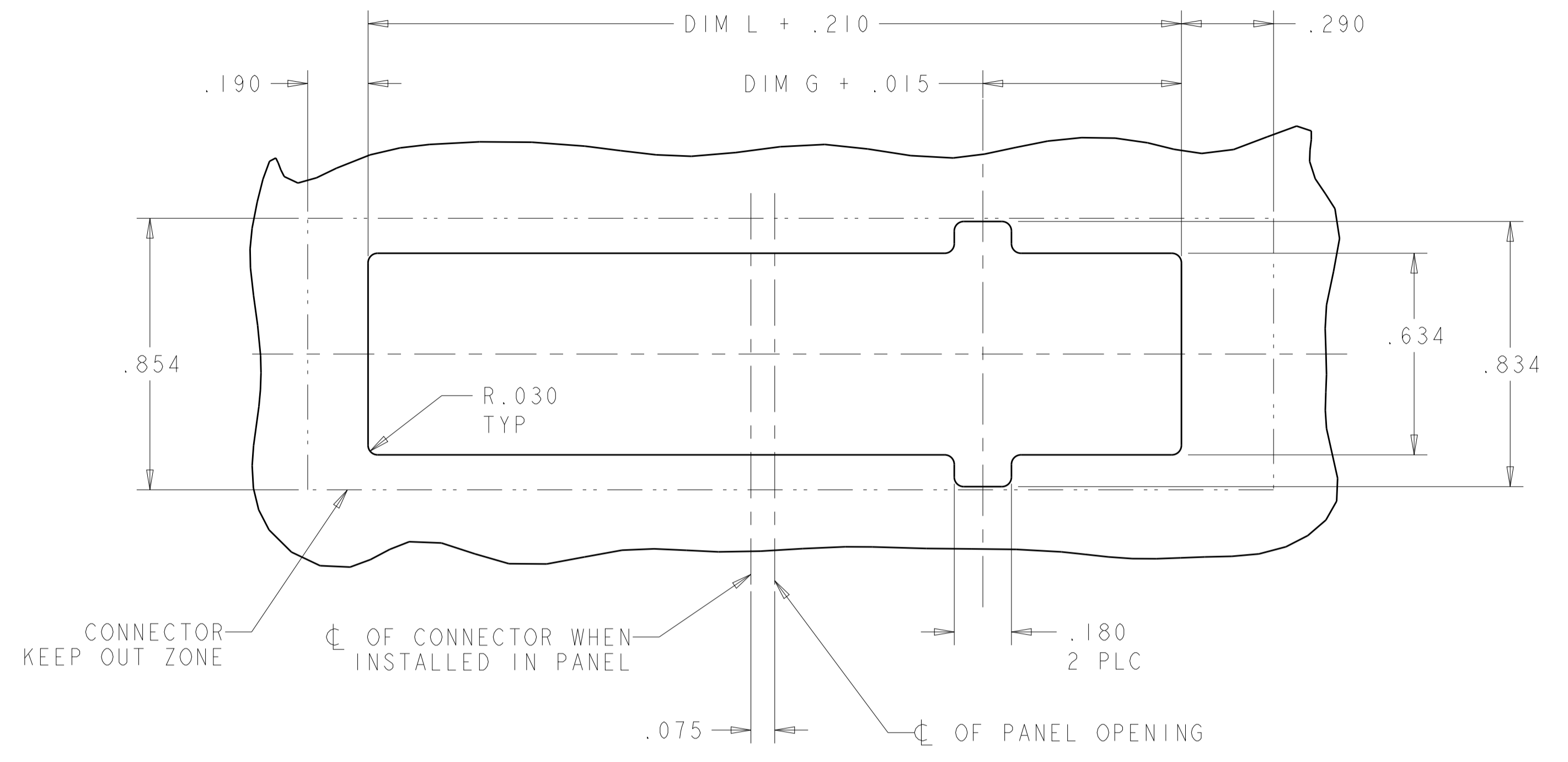
PART NUMBER	ROWS	POWER			SIGNAL						POWER		
		P1	P2	P3	1	2	3	4	5	6	P4	P5	P6
1600820-4	D	CP	CP	CP	CT	CT	CT	CT	CT	CT	CP	CP	CP
	C				CT	CT	CT	CT	CT				
	B				CT	CT	CT	CT	CT				
	A				CV	CV	CV	CV	CV				
3ACP(8AWG) + 24S + 3ACP(8AWG)													

PART NUMBER	ROWS	POWER				SIGNAL						POWER			
		P1	P2	P3	P4	1	2	3	4	5	6	P5	P6	P7	P8
1600820-5	D	CP	CP	CP	CP	CT	CT	CT	CT	CT	CT	CP	CP	CP	CP
	C					CT	CT	CT	CT	CT					
	B					CT	CT	CT	CT	CT					
	A					CV	CV	CV	CV	CV					
4HDP(14AWG) + 24S + 4HDP(14AWG)															

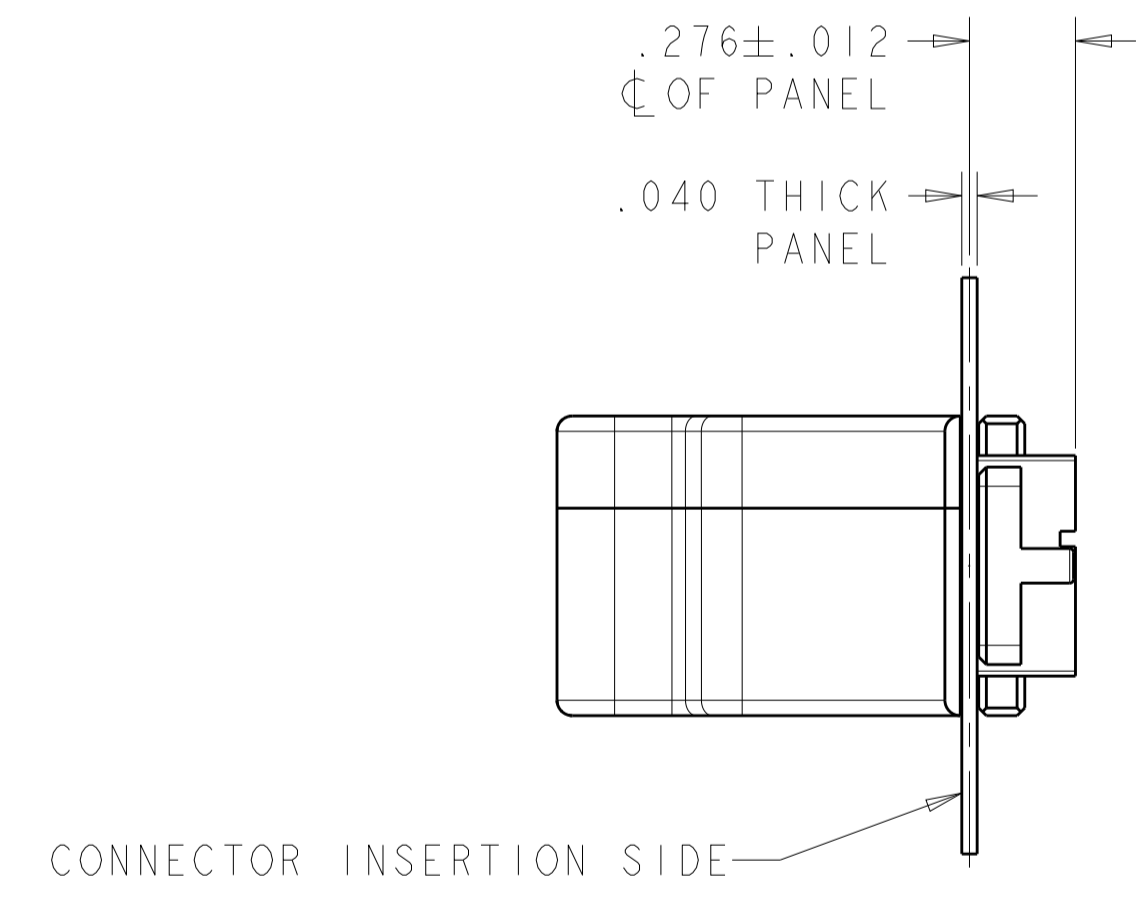
PART NUMBER	ROWS	POWER		SIGNAL						POWER	
		P1	P2	1	2	3	4	5	6	P3	P4
1600820-6	D	CP	CP	CT	CT	CT	CT	CT	CT	CP	CP
	C			CT	CT	CT	CT	CT			
	B			CT	CT	CT	CT	CT			
	A			CV	CV	CV	CV	CV			
2ACP(8AWG) + 24S + 2ACP(8AWG)											

PART NUMBER	ROWS	SIGNAL		POWER			
		1	2	P1	P2	P3	
1600820-7	D	CP	CP	CV	CP	CP	CP
	C			CV			
	B			CV			
	A			CV			
0P + 8S + 3ACP(14AWG)							

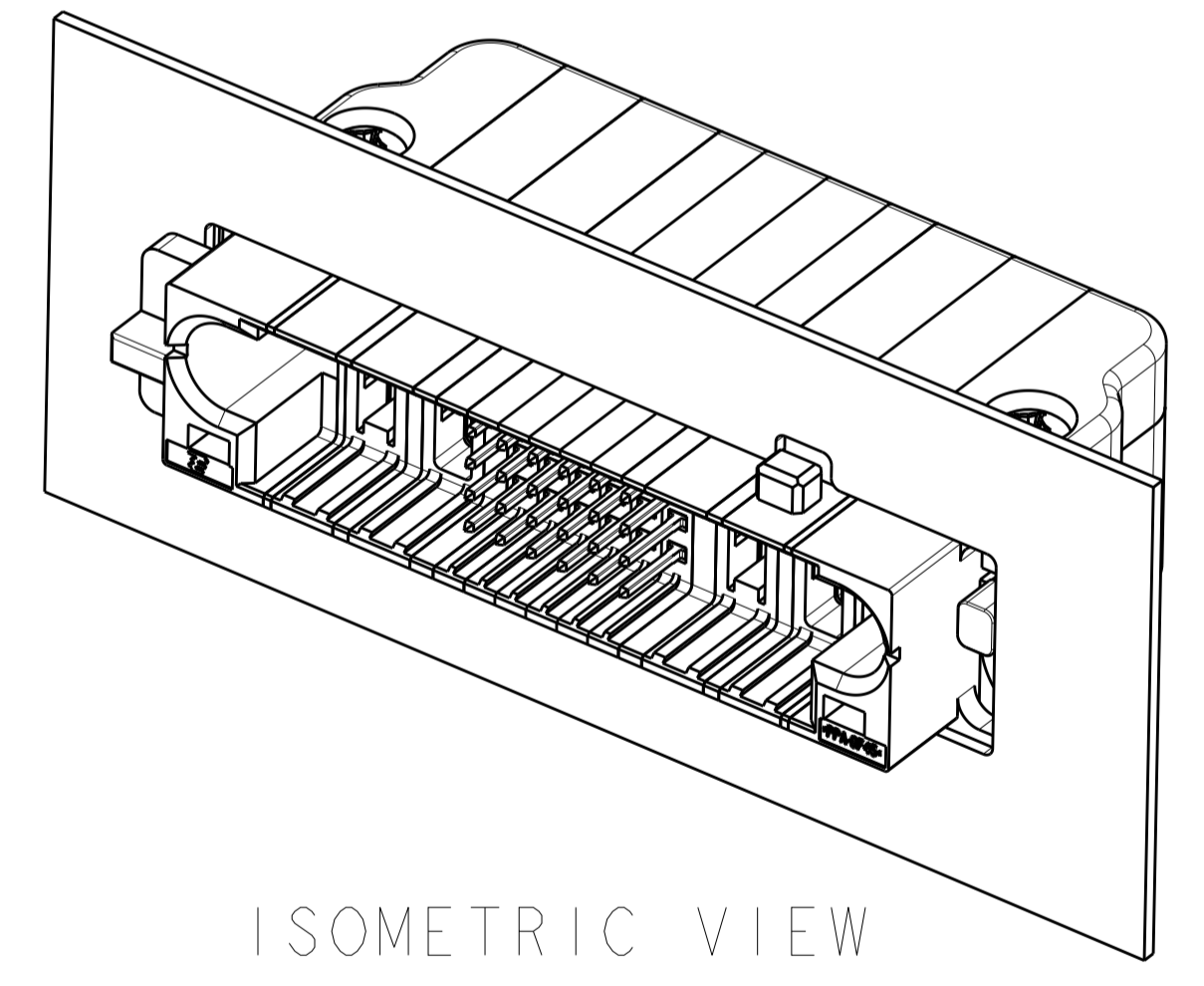
NO CONTACTS LOADED



PANEL LAYOUT



SIDE VIEW
CONNECTOR IN PANEL



ISOMETRIC VIEW

MLBF	SIGNAL CONTACT	CV
STANDARD	SIGNAL CONTACT	CT
-	POWER CONTACT	CP
MATING SEQUENCE	DESCRIPTION	IDENTIFIER

THIS DRAWING IS A CONTROLLED DOCUMENT.

DIMENSIONS: INCHES	TOLERANCES UNLESS OTHERWISE SPECIFIED:	0 PLC ±.005	1 PLC ±.005	2 PLC ±.005	3 PLC ±.005	4 PLC ±.005	ANGLES ±.0020	FINISH
--------------------	--	-------------	-------------	-------------	-------------	-------------	---------------	--------

OWN: D. RINGLER	04FEB2005	CHK: D. TROUT	08FEB2005	APV: P. WYNE	10FEB2005
TE Connectivity					
NAME: SLIDE TO LOCK CABLE PLUG ASSEMBLY MULTI-BEAM XL					
PRODUCT SPEC: 108-2157-1	APPLICATION SPEC: 114-13164	SIZE: A1	CAGE CODE: 1600820	DRAWING NO: 100779	REV: C9
CUSTOMER DRAWING			SCALE: 3:1	SHEET: 4 OF 5	REV: C9

C2

PART NUMBER	ROWS	POWER							SIGNAL												POWER																								
		P1	P2	P3	P4	P5	P6	P7	1	2	3	4	5	6	7	8	9	10	11	12	P8	P9	P10	P11	P12	P13	P14																		
1600820-8	D	CP	CP	CP	CP	CP	CP	CP	CT	CT	CT	CT	CT	CT	CT	CT	CT	CT	CT	CT	CT	CT	CT	CT	CT	CT	CT	CP	CP	CP	CP	CP	CP	CP											
	C								CT	CT	CT	CT	CT	CT	CT	CT	CT	CT	CT	CT	CT	CT	CT	CT	CT	CT	CT								CT	CT	CT	CT	CT	CT	CT	CT	CT	CT	
	B								CT	CT	CT	CT	CT	CT	CT	CT	CT	CT	CT	CT	CT	CT	CT	CT	CT	CT	CT								CT	CT	CT	CT	CT	CT	CT	CT	CT	CT	CT
	A								CT	CT	CT	CT	CT	CT	CT	CT	CT	CT	CT	CT	CT	CT	CT	CT	CT	CT	CT								CT	CT	CT	CT	CT	CT	CT	CT	CT	CT	CT
7P(12AWG) + 48S + 7P(12AWG)																																													

C4

PART NUMBER	ROWS	POWER									
		1	2	3	4	P1	P2	P3	P4	P5	P6
1600820-9	D	CV	CV	CV	CV	CP	CP	CP	CP	CP	CP
	C	CV	CV	CV	CV						
	B	CV	CV	CV	CV						
	A	CV	CV	CV	CV						
0P + 16S + 6P(14AWG)											

PART NUMBER	ROWS	POWER			SIGNAL				POWER		
		P1	P2	P3	1	2	3	4	P4	P5	P6
1-1600820-0	D	CP	CP	CP	CT	CT	CT	CT	CP	CP	CP
	C				CT	CT	CT	CT			
	B				CT	CT	CT	CT			
	A				CT	CT	CT	CT			
3ACP(8AWG) + 32S + 3ACP(8AWG)											


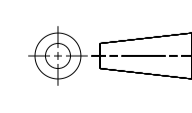
NO CONTACTS LOADED

PART NUMBER	ROWS	POWER								
		1	2	3	4	P1	P2	P3	P4	P5
1-1600820-2	D	CT	CT	CT	CT	CP	CP	CP	CP	CP
	C	CT	CT	CT	CT					
	B	CT	CT	CT	CT					
	A	CT	CT	CT	CT					
0P + 16S + 5ACP(8AWG)										

PART NUMBER	ROWS	POWER		SIGNAL		POWER	
		P1	P2	1	2	P3	P4
1-1600820-1	D	CP	CP	CT	CT	CP	CP
	C			CT	CT		
	B			CT	CT		
	A			CT	CT		
2ACP(8AWG) + 8S + 2ACP(8AWG)							

PART NUMBER	ROWS	POWER		SIGNAL		POWER	
		P1	P2	1	2	P3	P4
1-1600820-3	D	CP	CP	CT	CT	CP	CP
	C			CT	CT		
	B			CT	CT		
	A			CT	CT		
2P(10AWG) + 8S + 2P(10AWG)							

PART NUMBER	ROWS	POWER			SIGNAL		POWER		
		P1	P2	P3	1	2	P4	P5	P6
1-1600820-4	D	CP	CP	CP	CT	CT	CP	CP	CP
	C				CT	CT			
	B				CT	CT			
	A				CT	CT			
3P(10AWG) + 8S + 3P(10AWG)									

THIS DRAWING IS A CONTROLLED DOCUMENT.		DWN D. RINGLER 04FEB2005	 TE Connectivity
DIMENSIONS: INCHES		CHK D. TROUT 08FEB2005	
TOLERANCES UNLESS OTHERWISE SPECIFIED:		APVD P. WHYNE 10FEB2005	NAME SLIDE TO LOCK CABLE PLUG ASSEMBLY MULTI-BEAM XL
		PRODUCT SPEC 108-2157-1	RESTRICTED TO
MATERIAL		APPLICATION SPEC 114-13164	SIZE A100779
FINISH		WEIGHT	CAGE CODE 1600820
CUSTOMER DRAWING		SCALE 3:1	SHEET 5 OF 5