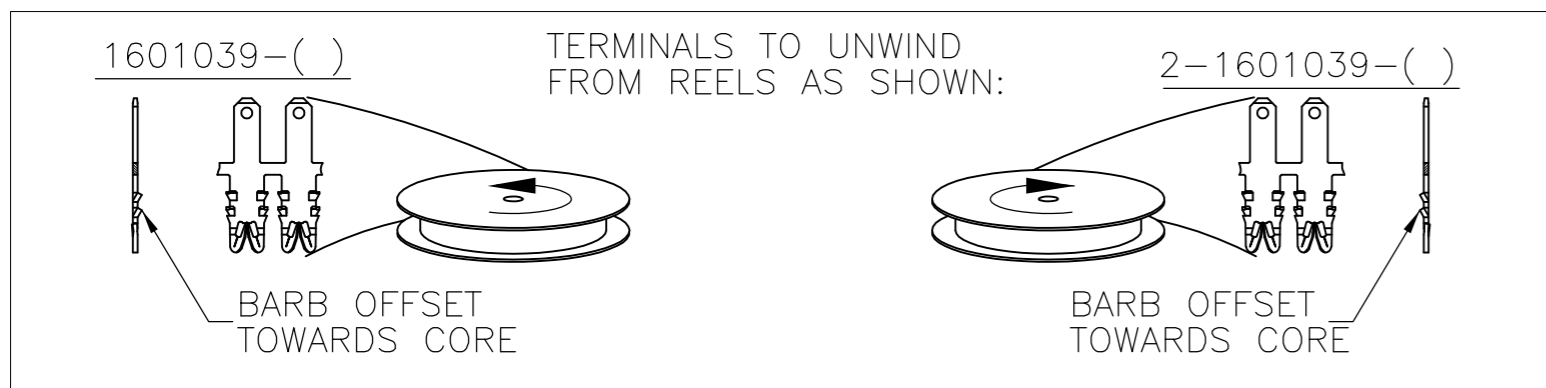
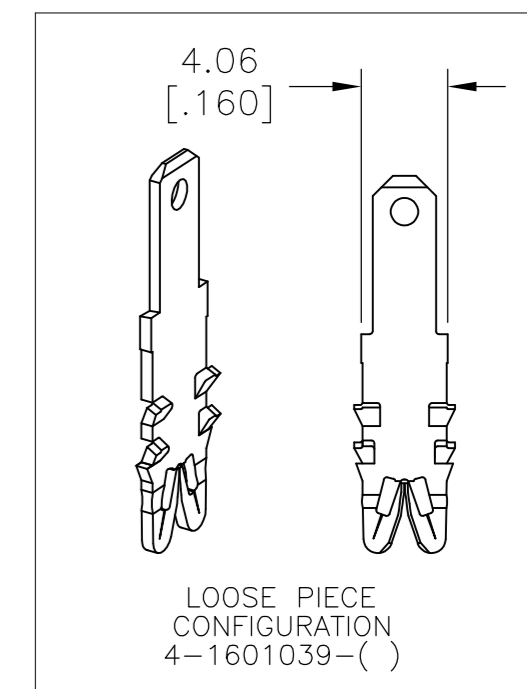
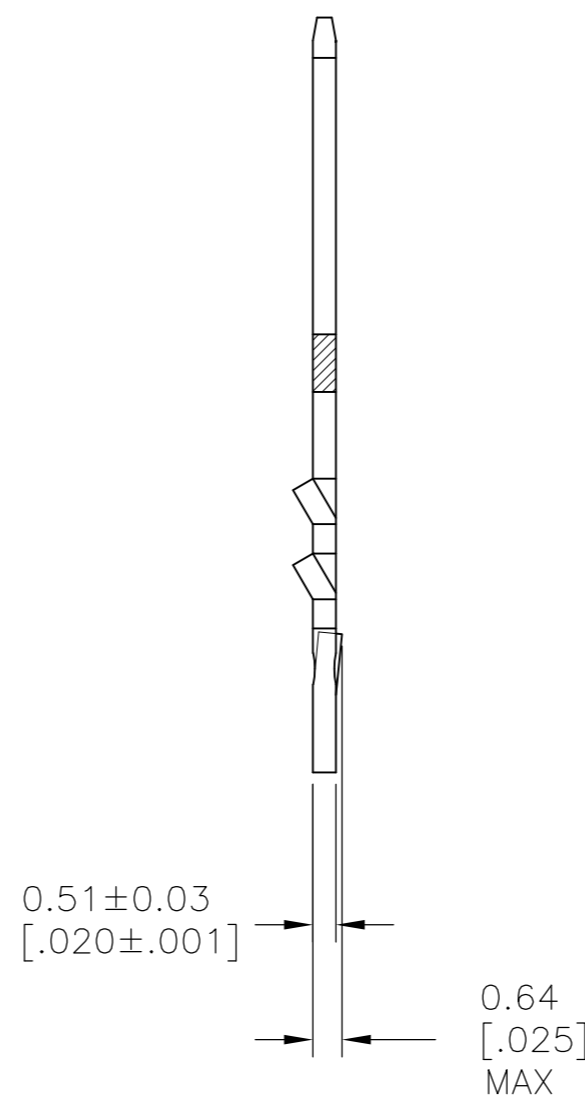
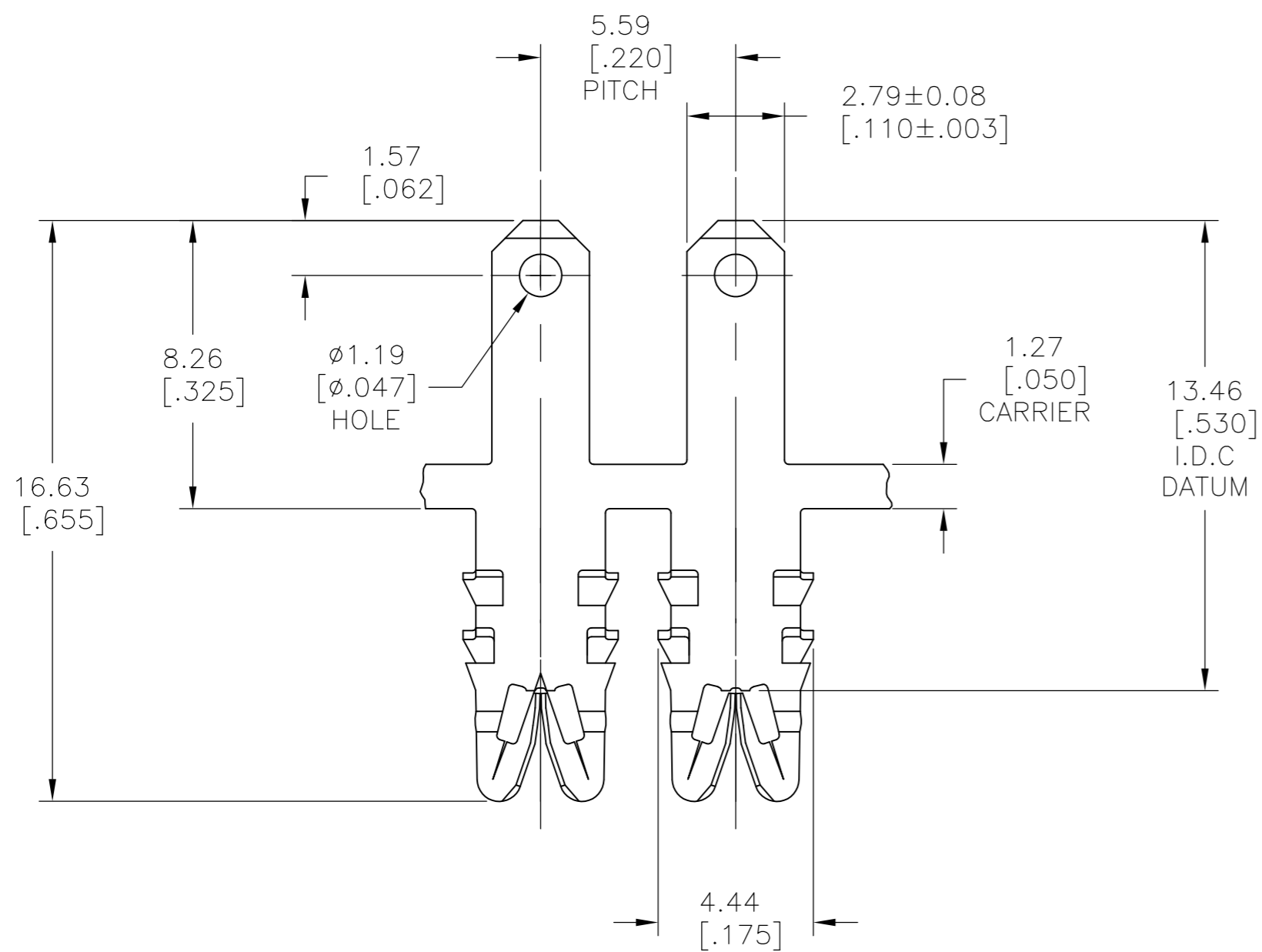


THIS DRAWING IS UNPUBLISHED. RELEASED FOR PUBLICATION
 © COPYRIGHT BY TYCO ELECTRONICS CORPORATION. ALL INTERNATIONAL RIGHTS RESERVED.

LOC	DIST	REVISIONS					
AF	50	P	LTR	DESCRIPTION	DATE	DWN	APVD
		C2		REVISED PER ECR-10-013696	19AUG10	HMR	GJ

- SPECIFICATIONS:
MAGNET WIRE #18 - #34 AWG,
1.02MM (.040)-0.16MM (.006) DIA COPPER.
OTHER SIZES MAY BE ACCOMMODATED,
CONSULT TYCO ELECTRONICS FOR APPROVAL.
- POCKET RECOMMENDATION : #1601425
- △ TERMINAL APPLICATION TO COMPLY WITH
TYCO ELECTRONICS SPECIFICATION
#114-13166 FIGURE 9.
- △ PRELIMINARY - NOT FOR PRODUCTION.
- TWO(2) TERMINALS SHOWN FOR ILLUSTRATION
PURPOSES ONLY.



PRE TIN PLATE	031-085-002	4-1601039-2
PRE TIN PLATE	131-086-002	2-1601039-2
UNPLATED	131-086-000	2-1601039-1
PRE TIN PLATE	-	△ 1601039-2
UNPLATED	131-085-000	1601039-1
FINISH	REFERENCE PART NUMBER	TE PART NUMBER
THIS DRAWING IS A CONTROLLED DOCUMENT.		
DIMENSIONS: mm [INCHES] TOLERANCES UNLESS OTHERWISE SPECIFIED: 0 PLC ± - 1 PLC ± - 2 PLC ± 0.13[.005] 3 PLC ± - 4 PLC ± - ANGLES ± 2°		DWN J.WELLER 11JAN2002 CHK M.FEHER 11JAN2002 APVD K.RANDOLPH 11JAN2002 PRODUCT SPEC 108-2085 APPLICATION SPEC 408-8629 MATERIAL BRASS, FULL HARD FINISH SEE TABLE
Tyco Electronics Corporation Harrisburg, PA 17105-3608		NAME STD. RANGE WIRE TO 2.79 X 0.51 MULTI-BARB TAB SIAMEZE TERMINAL
SIZE A2	CAGE CODE 00779	DRAWING NO C=1601039
CUSTOMER DRAWING		RESTRICTED TO -
SCALE 6:1	SHEET 1 OF 1	REV C2