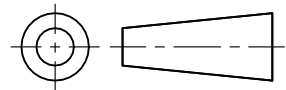


DO NOT SCALE

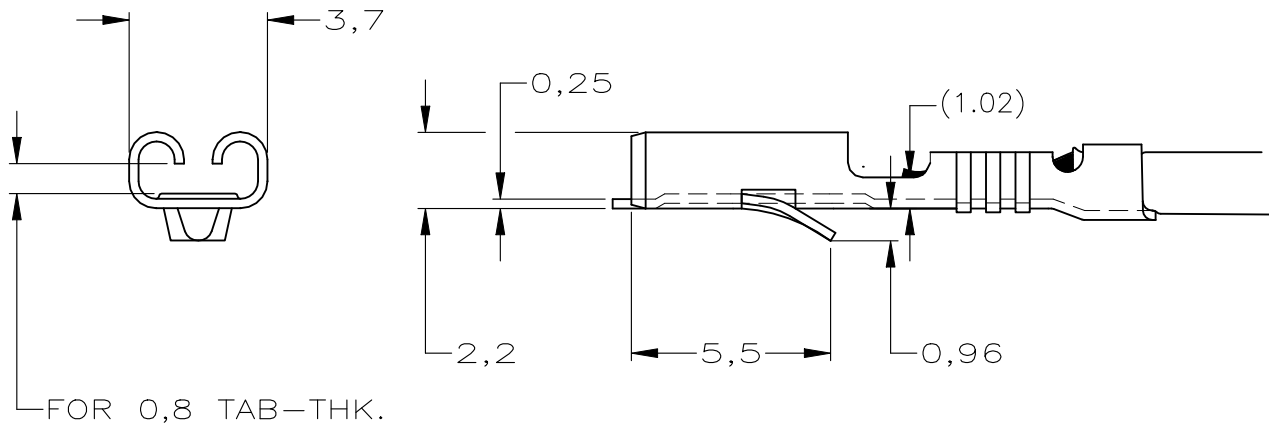
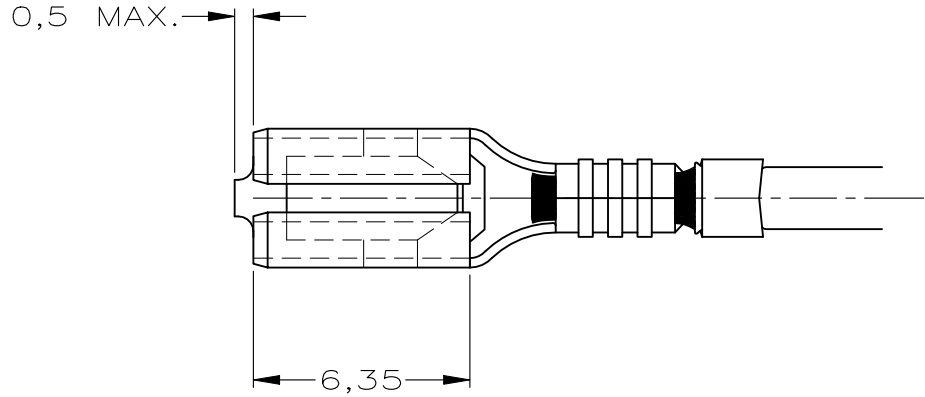
DIMENSIONS IN mm

METRIC

THIRD ANGLE
PROJECTION



WIRE RANGE :
0,3-0,6 mm² 22-20AWG
INSULATION RANGE :
1,3-2,0 DIA .050-.080 DIA



FOR 0,8 TAB-THK.

NOTE:

⚠ OBSOLETE PARTS: OBSOLETE CIS STREAMLINING PER D.RENAUD/D.SINISI

TINPLATED	PH. BRONZE		160173-7
UNPLATED	PH. BRONZE		160173-6
GOLDPLATED	BRASS	⚠	160173-5
NICKELPLATED	BRASS		160173-4
SILVERPLATED	BRASS	⚠	160173-3
TINPLATED	BRASS		160173-2
UNPLATED	BRASS		160173-1

FINISH

MATERIAL

PARTNUMBER

-	-	-	-	-
-	-	-	-	-
-	-	-	-	-
-	-	-	-	-
E	ECR-21-100133	BDA	DH	10FEB2021
D1	ECO-10-000443	KK	HMR	18JAN10
D	EH-0065-95	DK	PB	18 JAN 95
LTR.	REVISION RECORD	DR.	CHK.	DATE

CUSTOMER DRAWING

FOR REFERENCE ONLY
WILL NOT BE UPDATED

© COPYRIGHT 19 - BY AMP HOLLAND B.V.
ALL INTERNATIONAL RIGHTS RESERVED. AMP PRODUCTS MAY BE
COVERED BY U.S. AND FOREIGN AND/OR PATENTS PENDING.
THIS DRAWING IS UNPUBLISHED
RELEASED FOR PUBLICATION _____, 19 _____



TE Connectivity

AMP HOLLAND B.V.
's-Hertogenbosch,
The Netherlands.

NAME

.110 SRS FASTIN-ON
RECEPTACLE

DR.:	D.KESSLER	CHK.:	P.BEIJNON	APP.:	L.v.SOEST	DWG.No.	REV.LTR.	SHEET
DATE:	18 JAN 95	DATE:	-	DATE:	-	C- 160173	E	1 OF 1

DWG.No.	REV.LTR.	SHEET
C- 160173	E	1 OF 1

A4