

THIS DRAWING IS UNPUBLISHED.

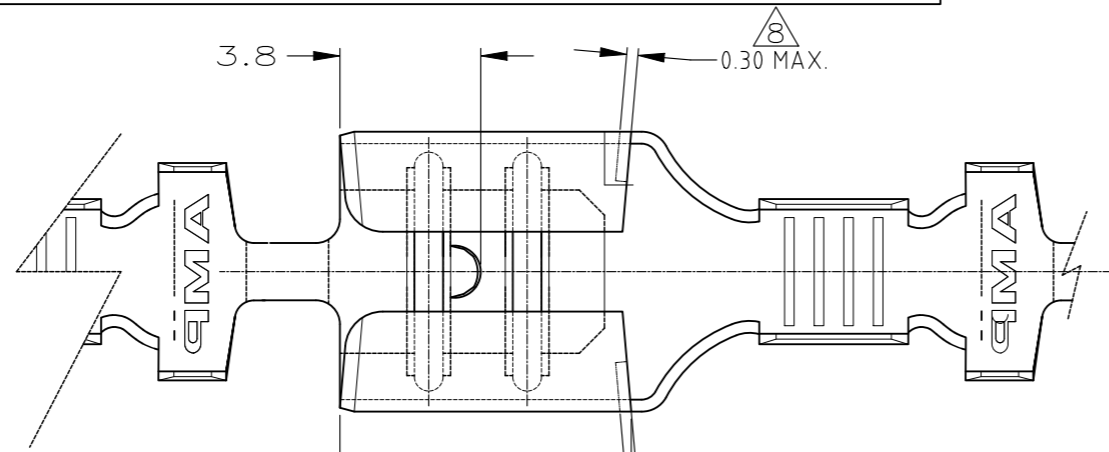
RELEASED FOR PUBLICATION

ALL RIGHTS RESERVED.

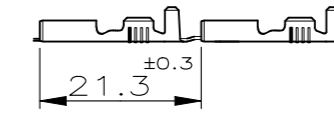
© COPYRIGHT - By -

REVISIONS

P	LTR	DESCRIPTION	DATE	DWN	APVD
	AW11	REVISED PER ECR-23-179586	28JUN2023	GK	RE



1) STATO DI FORNITURA - SCALA 1:1  
(SUPPLY CONDITION - SCALE 1:1)



SENDO DI USCITA  
DEL TERMINALE  
DALLA BOBINA  
(DIRECTION OFF  
TOP OF REEL)

△ SPECIFICA DI PRODOTTO 108-20019  
(PRODUCT SPEC. 108-20019)  
SPECIFICA DI APPLICAZIONE 114-20023  
(APPLICATION SPEC. 114-20023).

3) PER LE VERSIONI IN PEZZI SCIOLTI  
VEDERE DISEGNO 160506  
(FOR LOOSE PIECE VERSION SEE DRAWING 160506).

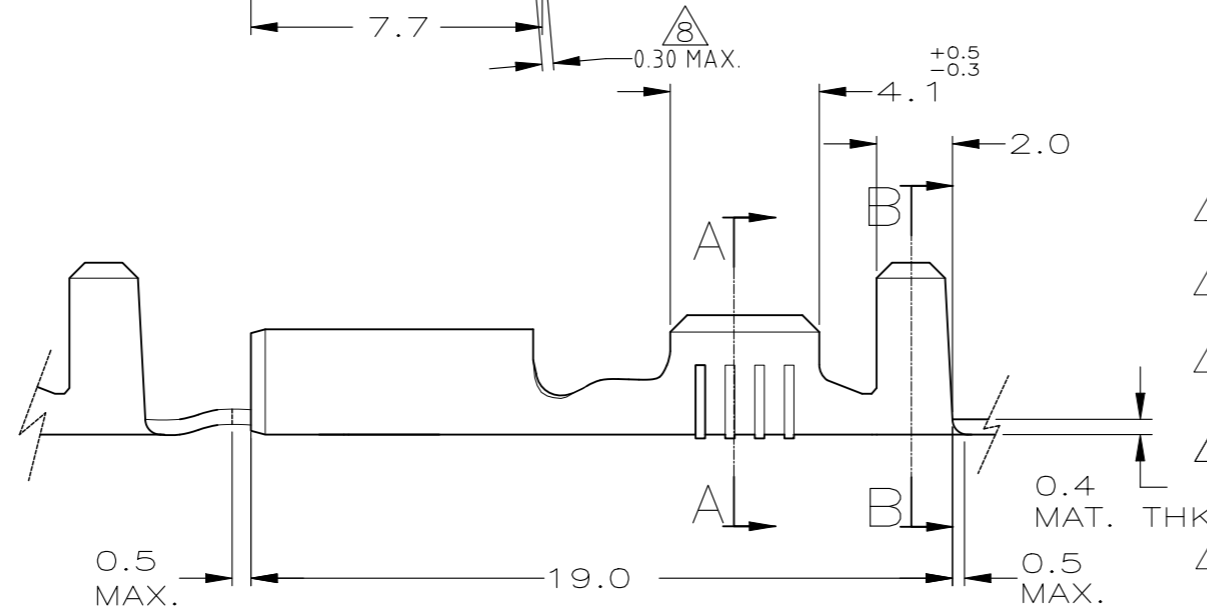
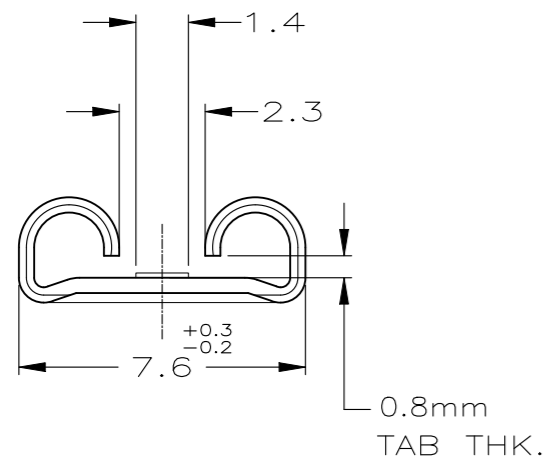
△ 4) NON IN PRODUZIONE  
(NOT YET RELEASE FOR PRODUCTION)

△ 5) NOTE REMOVED.

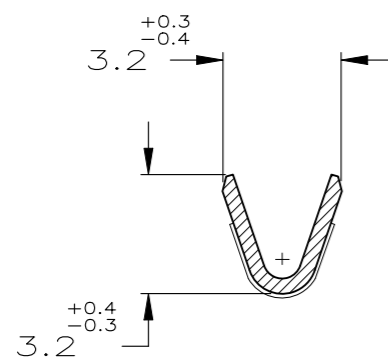
△ 6) NOTE REMOVED.

△ 7) PACKAGE WITH INTERLAYER PAPER

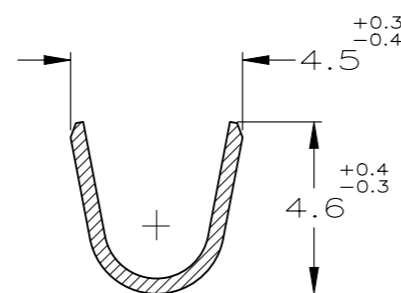
△ 8) CUT-OFF OFFSET IS ALLOWED BY 0.3mm MAX.  
THIS MAY BE REQUIRED FOR MANUFACTURING,  
BUT WILL NOT IMPACT THE INTENDED PERFORMANCE  
OF THE CONTACT.



SEZIONE A-A  
(SECTION A-A)



SEZIONE B-B  
(SECTION B-B)



△ 4	STAGNATO (TINPLATED)	OTTONE (BRASS)	7-160432-4	AY
	STAGNATO (TINPLATED)	OTTONE (BRASS)	7-160432-0	AU
	NUDO (UNPLATED)	BRONZO FOSF.(PH. BRONZE)	6-160432-4	AU
	PRE NICHELATO (PRE NICKEL PLATED)	ACCIAIO (STEEL)	6-160432-3	AU
	STAGNATO (TINPLATED)	BRONZO FOSF.(PH. BRONZE)	6-160432-0	AU
	ARGRNTATO (SILVER PLATED)	OTTONE (BRASS)	5-160432-7	AW
	STAGNATO (TINPLATED)	OTTONE (BRASS)	5-160432-4	AU
	NUDO (UNPLATED)	OTTONE (BRASS)	5-160432-3	AW
NOTE (NOTES)	FINITURA (FINISH)	MATERIALE (MATERIAL)	NUMERO (P/N)	REV

THIS DRAWING IS A CONTROLLED DOCUMENT.

DIMENSIONS: mm	TOLERANCES UNLESS OTHERWISE SPECIFIED: ±0.3
0 PLC ±	1 PLC ±
2 PLC ±	3 PLC ±
4 PLC ±	ANGLES ±2°
MATERIAL /MATERIALE SEE TABLE (VEDI LA TABELLA)	FINISH /FINITURA SEE TABLE (VEDI LA TABELLA)

DWN H.YAALI 14 MAY 99	TE Connectivity  <b>FASTON® Connector</b> .250 SERIES REC. CONTACT
CHK C.TARTARI 14 MAY 99	
APVD -	
PRODUCT SPEC -	
APPLICATION SPEC △	RESTRICTED TO -
WEIGHT 0.785	SIZE A3
CUSTOMER DRAWING	CAGE CODE 00779
	DRAWING NO 160432
	SCALE -
	SHEET 1 OF 1
	REV AW11