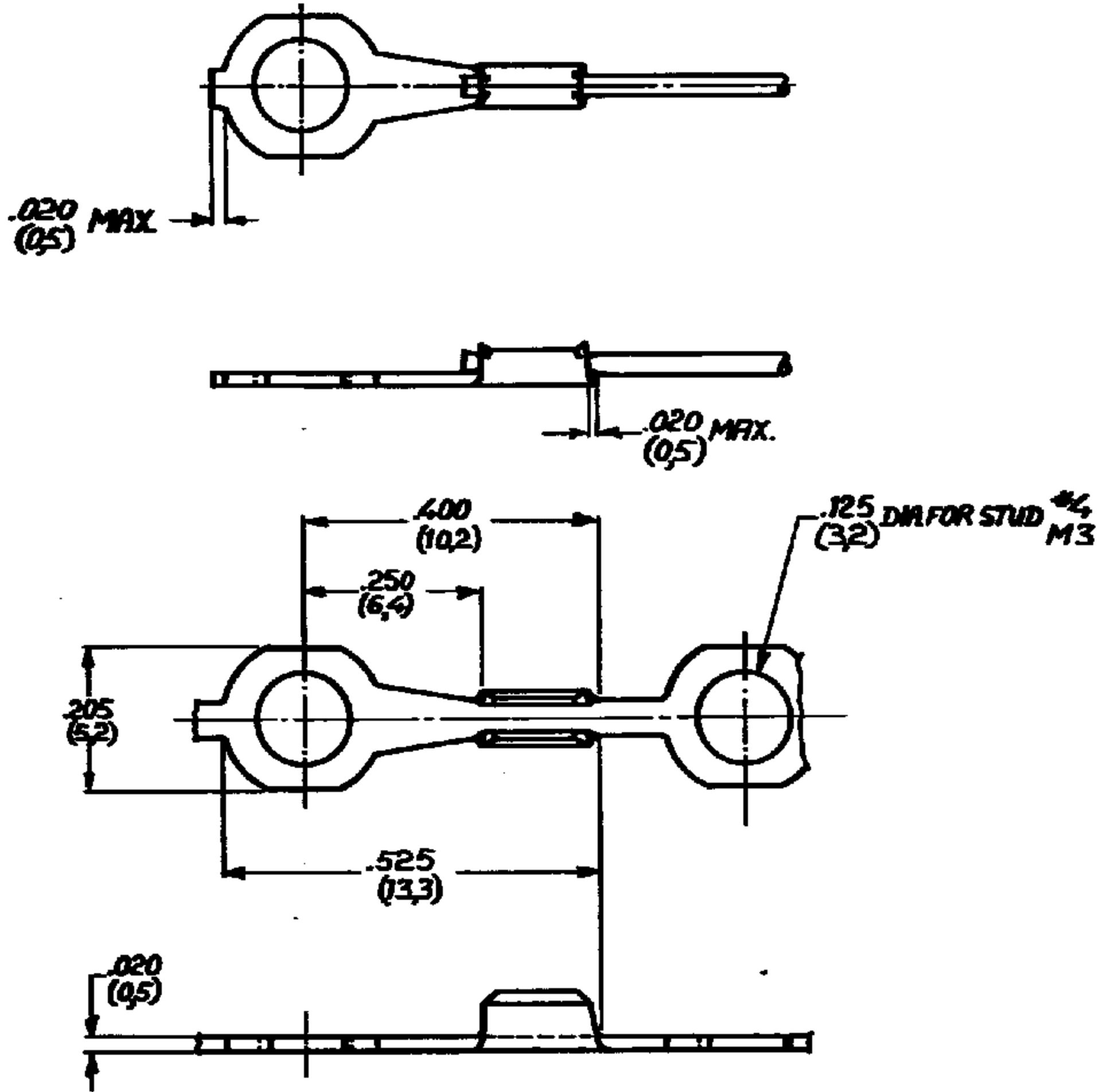


DRAWING MADE IN AMERICAN PROJECTION

REVISIONS

LTR	DESCRIPTION	DATE	DWN	APVD
B1	REVISED PER ECO-09-022178	25SEP09	KK	AEG

NUMBER C-160721



3 REELED WITH PAPER LAYER

1 FOR USE ON STANDARD AND MINIATURE APPLICATORS

4 OBSOLETE PARTS: OBSOLETE CIS STREAMLINING PER D.RENAUD/D.SINISI

2 FOR USE ON MINIATURE APPLICATORS (AMP-O-MATOR APPLICATION)

CUSTOMER COPY FOR REFERENCE ONLY

©1972 BY AMP-HOLLAND N.V. ALL RIGHTS RESERVED AMP PRODUCTS COVERED BY PATENTS AND/OR PATENTS PENDING.



AMP-HOLLAND N.V.
's-Hertogenbosch

WIDE-RANGE 24-22 AWG 0.20-0.35 mm dia
INSUL-RANGE — H —
FIRST USED

SCALE 4:1 SIZE A NO C-160721

NAME RINGTONGUE

ORDER NO.	MATERIAL	PLATING
160721-4	BRASS	— 4 — 3
160721-3		— * — 2
160721-2		TIN 1
160721-1		— H — 1

DR	DATE	DES	DATE
<i>Q. V. ...</i>	14-72	<i>P. J. ...</i>	4/5/77
CHK	DATE	APP	DATE
<i>...</i>		<i>...</i>	25.4.72

DIMENSIONS IN (M.M.) DO NOT SCALE PRINT