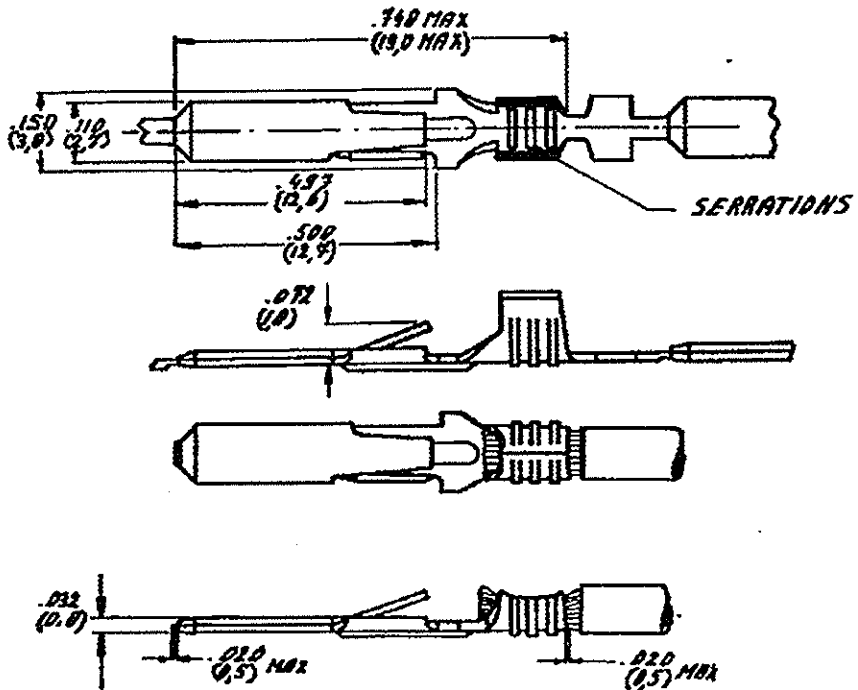


DRAWING MADE IN AMERICAN PROJECTION		REVISIONS			
LTR	DESCRIPTION	DATE	DWN	APVD	
G1	REVISED PER ECO-09-022178	25SEP09	KK	AEG	

C-160776



⚠️ OBSOLETE PARTS: OBSOLETE CIS STREAMLINING PER D.RENAUD/D.SINISI

REV. G AS PER:  
ECR-06-024596

**CUSTOMER COPY FOR REFERENCE ONLY**

©1999 BY AMP-HOLLAND N.V. ALL RIGHTS RESERVED. AMP PRODUCTS COVERED BY PATENTS AND/OR PATENTS PENDING.



AMP-HOLLAND N.V.  
's-Hertogenbosch

DIMENSIONS IN (IN) DO NOT SCALE FROM

160776-4	PRECISION HANDLE	PRECISION
160776-3	PRECISION HANDLE	PRECISION
160776-2	BRASS	PRECISION
160776-1	BRASS	PRECISION

WEAR RANGE 20-22 AWG 102-103 AWG	RISER RANGE ---	FIRST USED
--	--------------------	------------

ORDER NO.	MATERIAL	PLATING	SCALE 4:1	SIZE NO A	NO C-160776	REV G1
DR U.SUSTEREN	DATE 16/77	DE	DATE	NAME .110 SER. FASTIN. FASTON TAB		
OK KK	DATE 25/09/09	APP [Signature]	DATE 25.9.09			

AMP DIRM