

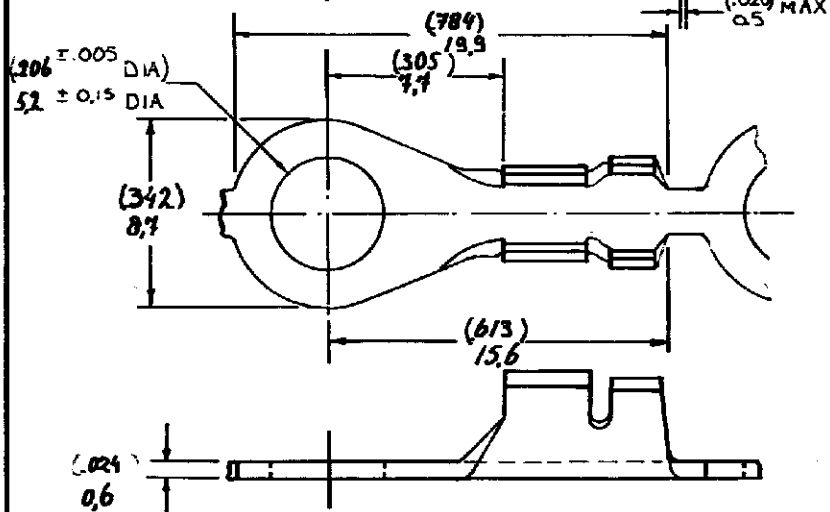
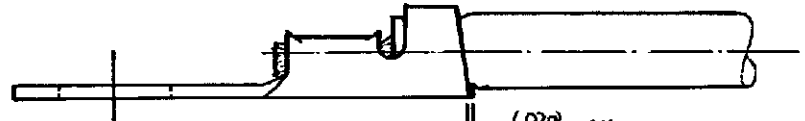
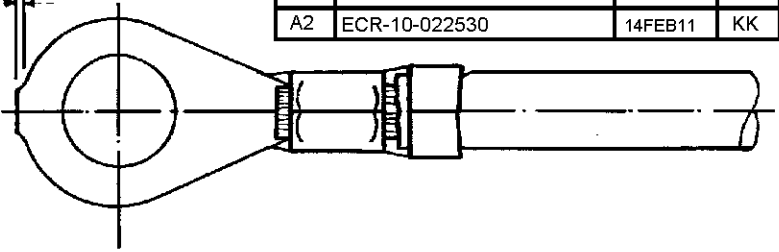
NUMBER C-160788

DRAWING MADE IN AMERICAN PROJECTION

REVISIONS

LTR	DESCRIPTION	DATE	DWN	APVD
A1	REVISED PER ECO-09-022178	25SEP08	KK	AEG
A2	ECR-10-022530	14FEB11	KK	HMR

(.020)  
0,5 MAX



- ⚠ REEL WITH PAPER COVER
- ⚠ OBSOLETE PARTS: OBSOLETE CIS STREAMLINING PER D.RENAUD/D.SINISI
- ⚠ OBSOLETE

DIMENSIONS IN INCHES (INCHES) IN MM. DO NOT SCALE PRINT

160788-5	PH. BRONZE	-H
160788-4	BRASS	-H
160788-3	PHOSPH BRONZE	-H
160788-1	BRASS	-H
ORDER NO.	MATERIAL	PLATING
DATE 12-19	DATE	DATE
CHK KK	DATE 25/09/09	DATE 17

**CUSTOMER COPY FOR REFERENCE ONLY**

© 1979 BY TE - HOLLAND N.V. ALL RIGHTS RESERVED. TE PRODUCTS COVERED BY PATENTS AND/OR PATENTS PENDING.

TE Connectivity

WIRE RANGE 18 - 14 AWG 0,8 - 2,1 mm	INSUL. RANGE (.100 - .140) 2,54 - 3,56	FIRST USED
SCALE N.T.S.	LOC H	SIZE A
NO C 160788	REV A2	
NAME RINGTONGUE		