

4

3

2

1

THIS DRAWING IS UNPUBLISHED.

RELEASED FOR PUBLICATION

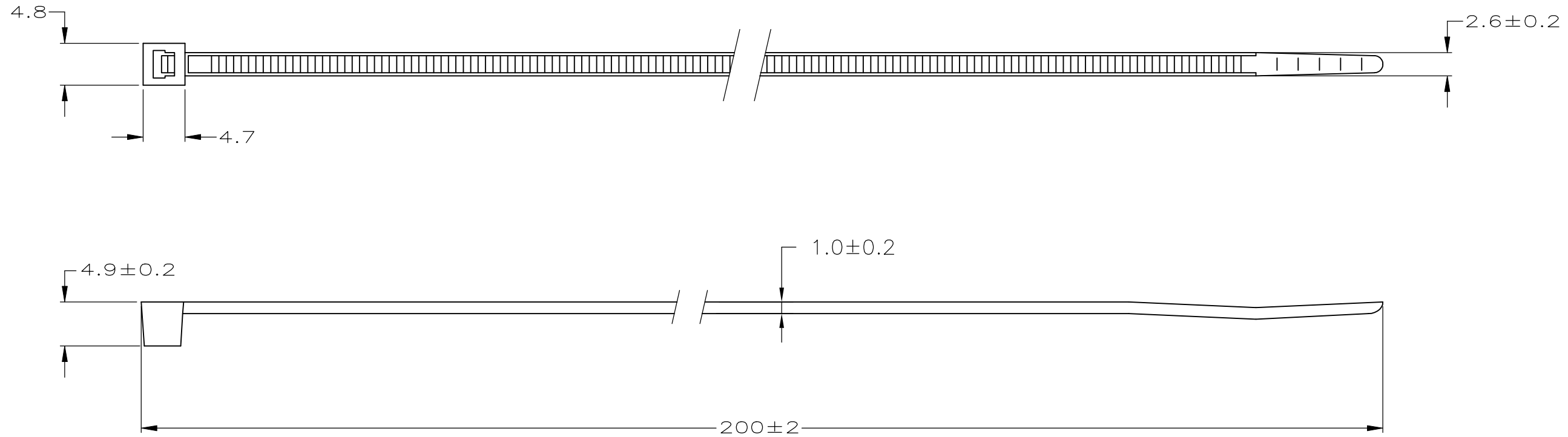
ALL RIGHTS RESERVED.

REVISIONS

P	LTR	DESCRIPTION	DATE	DWN	APVD
C1		OBSOLETE PN 2-160970-1	21MAR2018	SH	NG

NOTES:

- 1 RANGE: $\phi 52$ MAX.
- 2 MIN. TENSILE STRENGTH 82 N.



OBSOLETE

1000	BLACK	POLYAMIDE 6.6	4-160970-2
1000	NATURAL	POLYAMIDE 6.6	4-160970-1
100	BLACK	POLYAMIDE 6.6	2-160970-2
100	NATURAL	POLYAMIDE 6.6	2-160970-1
QTY	FINISH	MATERIAL	PART NUMBER

THIS DRAWING IS A CONTROLLED DOCUMENT.		DWN J.V.D.HEIJDEN. 27-02-92	STE TE Connectivity	
DIMENSIONS: mm		CHK R.VOS.		
TOLERANCES UNLESS OTHERWISE SPECIFIED:		APVD L.V.SOEST.	PRODUCT SPEC	
0 PLC ± -		APPLICATION SPEC		
1 PLC ± 0.4		—		
2 PLC ± -		WEIGHT		
3 PLC ± -		SIZE A3 00779		
4 PLC ± -		CAGE CODE C-160970		
ANGLES ± -		DRAWING NO 160970		
MATERIAL SEE TABLE		RESTRICTED TO —		
FINISH SEE TABLE		SCALE NTS		
		SHEET 1 of 1		
		REV C1		
		CUSTOMER DRAWING		