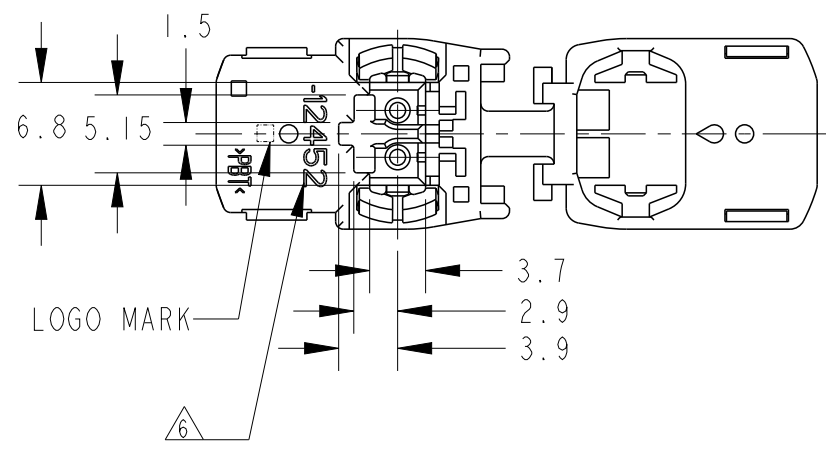
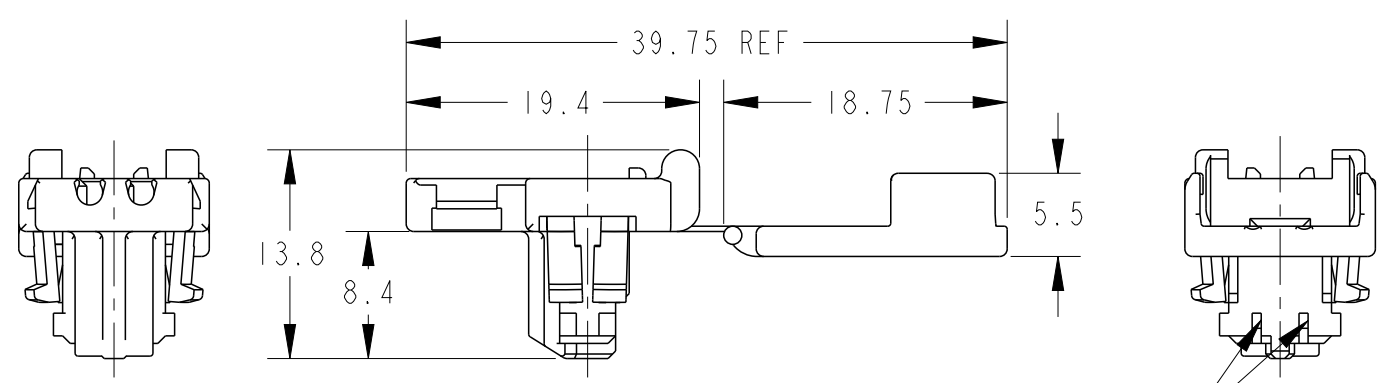
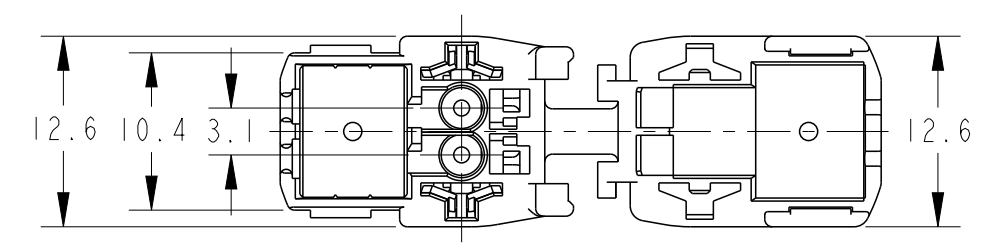


THIS DRAWING IS UNPUBLISHED. RELEASED FOR PUBLICATION 20
 © COPYRIGHT 20 BY TYCO ELECTRONICS CORPORATION. ALL RIGHTS RESERVED.

LOC	DIST	REVISIONS						
		P	LTR	DESCRIPTION	ECN	DATE	DWN	APVD
J	-		02	ADDED -3	FJA0-0785-04	05NOV2004	A.O	H.Y
			03	ADDED -4, -5	ECR-05-004267	06JUN2005	Y.S	H.Y
			A	REVISED	ECR-10-007503	16APR2010	T.S	K.B
			A1	REVISED	ECR-24-223225	11OCT2024	H.H	K.Y



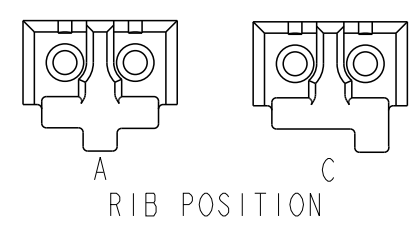
1. APPLICABLE CONTACT P/N: 1612124 (WIRE RANGE: AVSS/AVSSH/AESSX 0.3~0.5mm², CAVS/CAVUS 0.3~0.5mm², HFTUF 2c 0.5mm²)
 APPLICABLE FERRITE P/N: 1612123
2. THIS PRODUCT SHOULD BE USED WITH THE IIDIA SQUIB CONNECTOR COMPACT TYPE BUTTON. APPLICABLE BUTTON P/N IS CHANGED FOR SHORT CIRCUIT RING P/N. THE COMBINATION IS SHOWN IN TABLE I
3. APPLICABLE SHORT CIRCUIT RING IS CHANGED FOR BUTTON. THE COMBINATION IS SHOWN IN TABLE I
4. THE FORM OF INTERFACE, SEE THE DRWING OF SHORT CIRCUIT RING.
5. INSTRUCTION SHEET: 411-78033

1. 通用端子品番: 1612124 (適用電線: AVSS/AVSSH/AESSX 0.3~0.5mm², CAVS/CAVUS 0.3~0.5mm², HFTUF 2c 0.5mm²)
 通用フェライト品番: 1612123
2. 本製品は、IIDIA SQUIB CONNECTOR COMPACT TYPE BUTTONを装着して使用する。BUTTON P/Nは、本製品に適用するショートサーキットリング品番により異なる。組み合わせはTABLE Iを参照のこと。
3. 本製品に適用するショートサーキットリング品番は、使用するBUTTONにより異なる。組み合わせはTABLE Iを参照のこと。
4. 嵌合相手形状は、ショートサーキットリング図面を参照のこと。
5. 取扱説明書: 411-78033

TABLE I

SCR	PLUG HSG	BUTTON	
		1612122-1	1827120-1
699638	1612121-1, -2, -3, -4, -5	NOT APPLICABLE	APPLICABLE
1473369	1612121-1, -2, -3, -4, -5	APPLICABLE	APPLICABLE
1376766	1612121-4, -5	NOT APPLICABLE	APPLICABLE

WITHOUT	NONE	C	ORANGE	1612121-5
WITHOUT	NONE	A	YELLOW	1612121-4
WITH	NONE	A	YELLOW	1612121-3
WITH	NONE	C	ORANGE	1612121-2
WITH	-12452	A	BLACK	1612121-1
SLIT		RIB POSITION	COLOR	PART NUMBER



THIS DRAWING IS A CONTROLLED DOCUMENT FOR TYCO ELECTRONICS CORPORATION. IT IS SUBJECT TO CHANGE AND THE CONTROLLING ENGINEERING ORGANIZATION SHOULD BE CONTACTED FOR THE LATEST REVISION.

DIMENSIONS: 単位: 概 mm	TOLERANCES UNLESS OTHERWISE SPECIFIED: 一般公差 ±0.2	DWN R. NAGAI 26MAR2003	Tyco Electronics Corporation Kawasaki, Japan
	0 PLC ±	CHK T. HAYASHI 26MAR2003	
	1 PLC ±0.1	APVD H. YAMAGAMI 26MAR2003	
	2 PLC ±0.01	PRODUCT SPEC 108-5679	NAME 名称 IIDIA SQUIB CONNECTOR COMPACT TYPE PLUG HOUSING
	3 PLC ±0.001	APPLICATION SPEC 取付適用規格 -	SIZE A3 CAGE CODE 00779 DRAWING NO. 番号 G-1612121 RESTRICTED TO -
MATERIAL 材料 PBT	FINISH 仕上 SEE TABLE	WEIGHT 1.1 g	SCALE 尺度 2:1 SHEET 1 OF 1 REV A1

CUSTOMER DRAWING