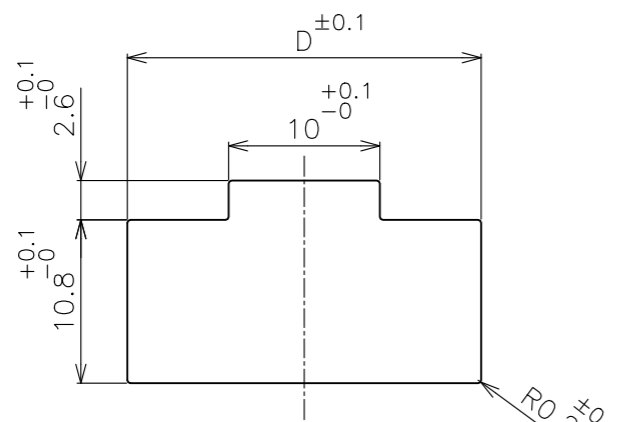
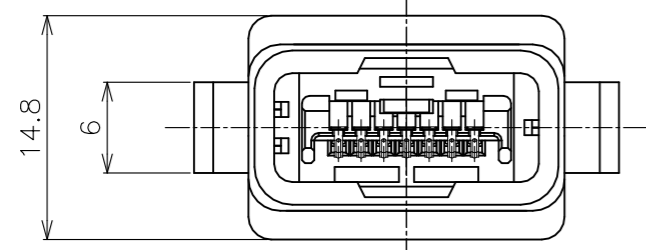
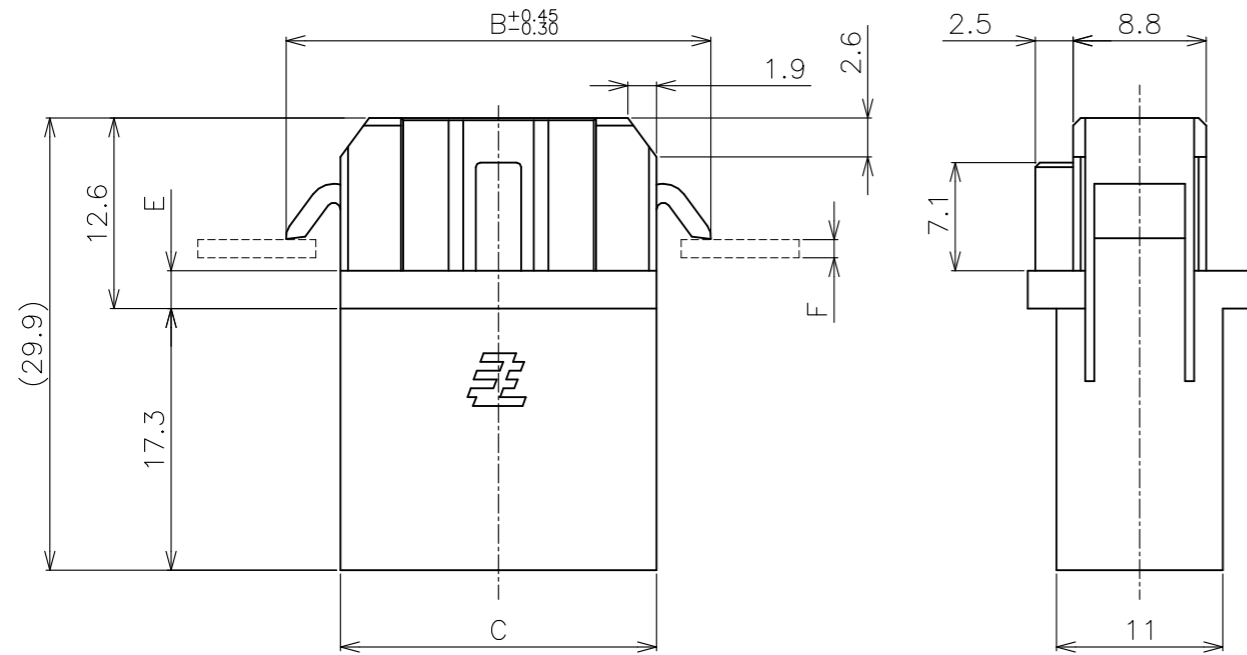
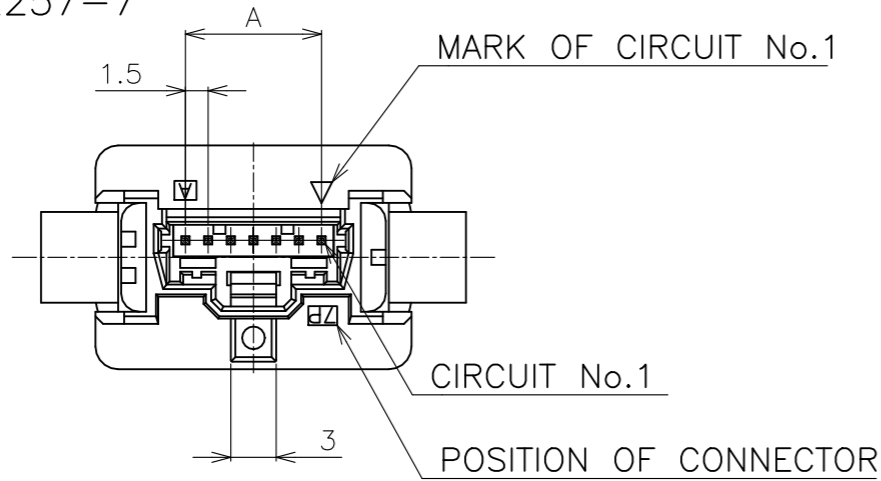


AS SHOWN : 1612257-7



PANEL CUTOUT DIMENSION

REVISIONS					
P	LTR	DESCRIPTION	DATE	DWN	APVD
E1		REVISED ECR-20-002472	10MAR2020	J.J	W.H

NOTES:

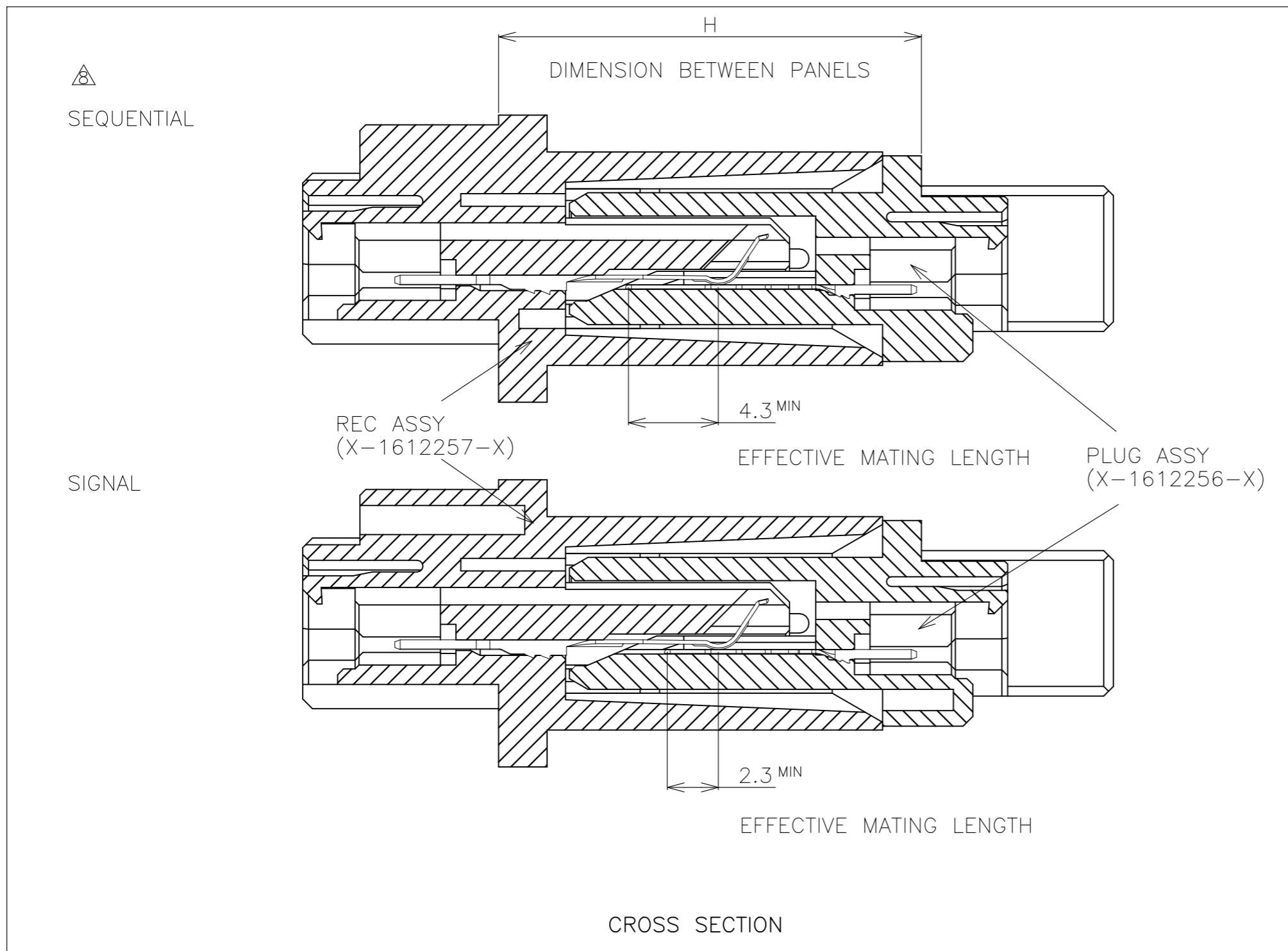
- USE WITH MINI CT MT TYPE P/N : X-353293-X (ASSY)
CRIMP TYPE P/N : 353907-1 (CONTACT)
353907-1(L/P) (CONTACT)
X-353908-X (HOUSING)
- MATERIAL HOUSING :PBT G.F. UL94 V-0, COLOR: BLACK
CONTACT :COPPER ALLOY
- FINISH CONTACT : NICKEL UNDER PLATED ALL OVER
CONTACT AREA : GOLD PLATED
POST AREA : Sn 100% PLATED
- THE PANEL SHOULD BE PUNCHED SO THAT THE HOUSING ENTERS THE PANEL IN THE SAME DIRECTION AS PUNCH.
- FLOATING DIMENSION : 0.5 MAX
(INCLUDE THE AMOUNT OF AXIAL GAPS)
- DIMENSION BETWEEN PANELS MUST BE SET 21.8-22.8mm.
(INCLUDE THE CLEARANCE BETWEEN CONNECTOR AND PANEL)
- GENERAL TOLERANCE
10>:±0.2
30> >10:±0.25
100> >30:±0.3
ANGLES: ±3°
- SEQUENTIAL CIRCUIT NO. IS REFERRED CUSTOMER DRAWING : 1612256.

1-1612256-4		1.0 ±0.1		33.9	31.4	38.6	19.5	14	2-1612257-4	
1-1612256-4				33.9	31.4	38.6	19.5	14	1-1612257-4	
1-1612256-2	21.8 ⚠		2.5	30.9	28.4	35.6	16.5	12	1-1612257-2	
1-1612256-0		2.0 ±0.1		27.9	25.4	32.6	13.5	10	1-1612257-0	
1612256-7				23.4	20.9	28.1	9.0	7	1612257-7	
COUNTER MATING CONNECTOR P/N	G	F	E	D	C	B	A	POS.	P/N	
	DIMENSION BETWEEN PANELS		APPLIED PANEL THICKNESS	DIMENSIONS						

THIS DRAWING IS A CONTROLLED DOCUMENT.		DWN H.HOSHINO 05AUG02	STE TE Connectivity Ltd.			
		CHK T.KUSUHARA 05AUG02				
		APVD I.ENOMOTO 05AUG02	NAME			
DIMENSIONS: MM		PRODUCT SPEC 108-5836		RECEPTACLE ASSEMBLY MINI CT DC DRAWER SNAP-FIT SINGLE ROW		
TOLERANCES UNLESS OTHERWISE SPECIFIED: 0 PLC ± 1 PLC ± 2 PLC ± 3 PLC ± 4 PLC ± ANGLES ± FINISH ⚠		APPLICATION SPEC		SIZE A3	CAGE CODE 00779	DRAWING NO C-1612257
MATERIAL ⚠		WEIGHT		RESTRICTED TO		
		CUSTOMER DRAWING		SCALE 2:1	SHEET 1 OF 2	REV E1

AS SHOWN : 1612257-7

P	LTR	DESCRIPTION	DATE	DWN	APVD
-	-	SEE SHEET 1	-	-	-



THIS DRAWING IS A CONTROLLED DOCUMENT.		DWN	STE TE Connectivity Ltd.		
DIMENSIONS: MM		CHK			
TOLERANCES UNLESS OTHERWISE SPECIFIED:		APVD	NAME		
0 PLC ±		PRODUCT SPEC	RECEPTACLE ASSEMBLY		
1 PLC ±		APPLICATION SPEC	MINI CT DC DRAWER SNAP-FIT		
2 PLC ±		WEIGHT	SIZE	CAGE CODE	DRAWING NO
3 PLC ±		CUSTOMER DRAWING	A3	00779	C-1612257
4 PLC ±			SCALE	SHEET	REV
ANGLES ±		4:1	2 OF 2	E1	
FINISH		RESTRICTED TO			