

REVISIONS						
P	LTR	DESCRIPTION	ECN	DATE	DWN	APVD
	O	RELEASED	FJA0-0202-03	28MAY03	D.M	K.S
	O1	REVISED	ECR-05-000898	24MAR05	D.M	K.S
	A	REVISED	ECR-23-195027	13DEC2023	DM	RK

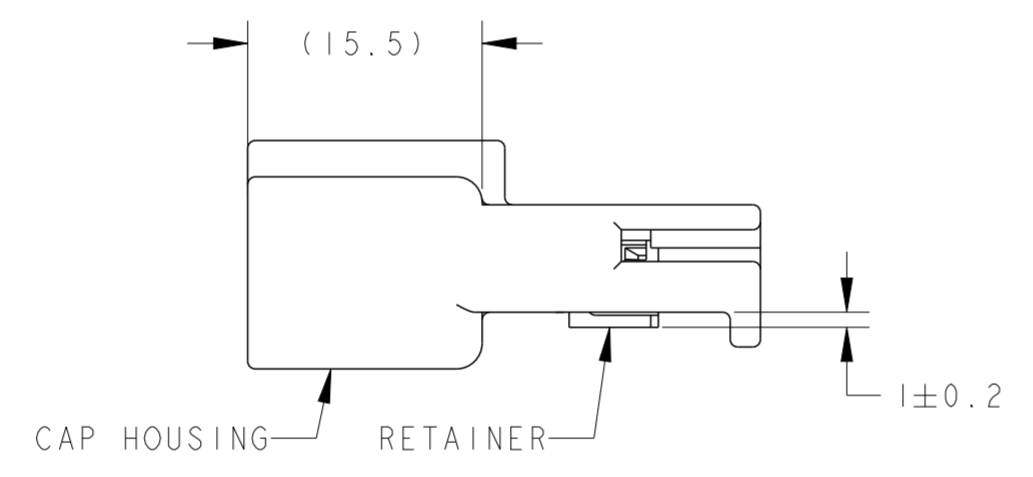
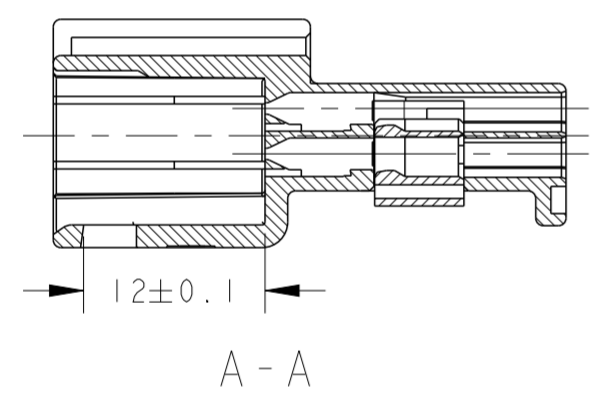
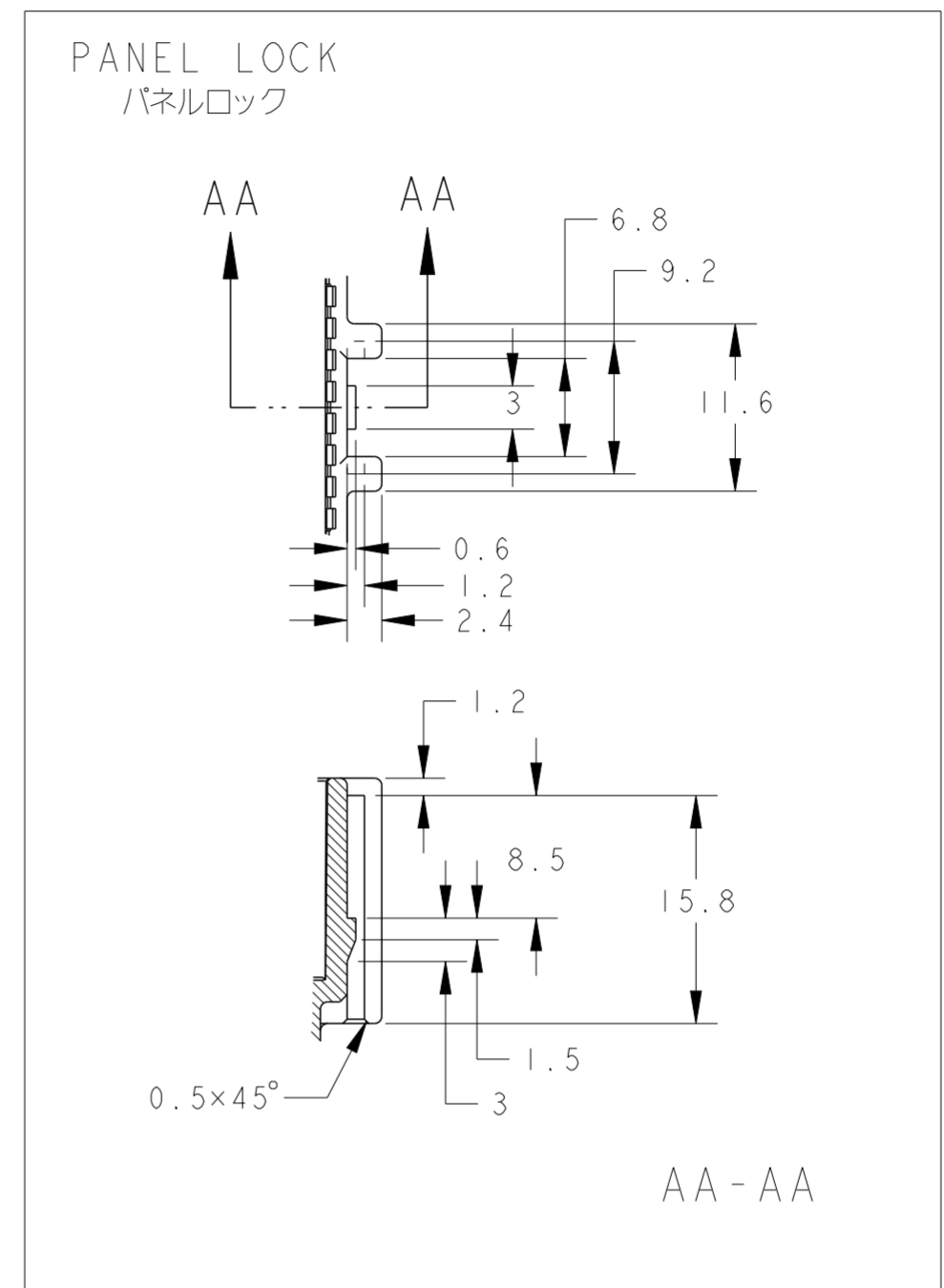
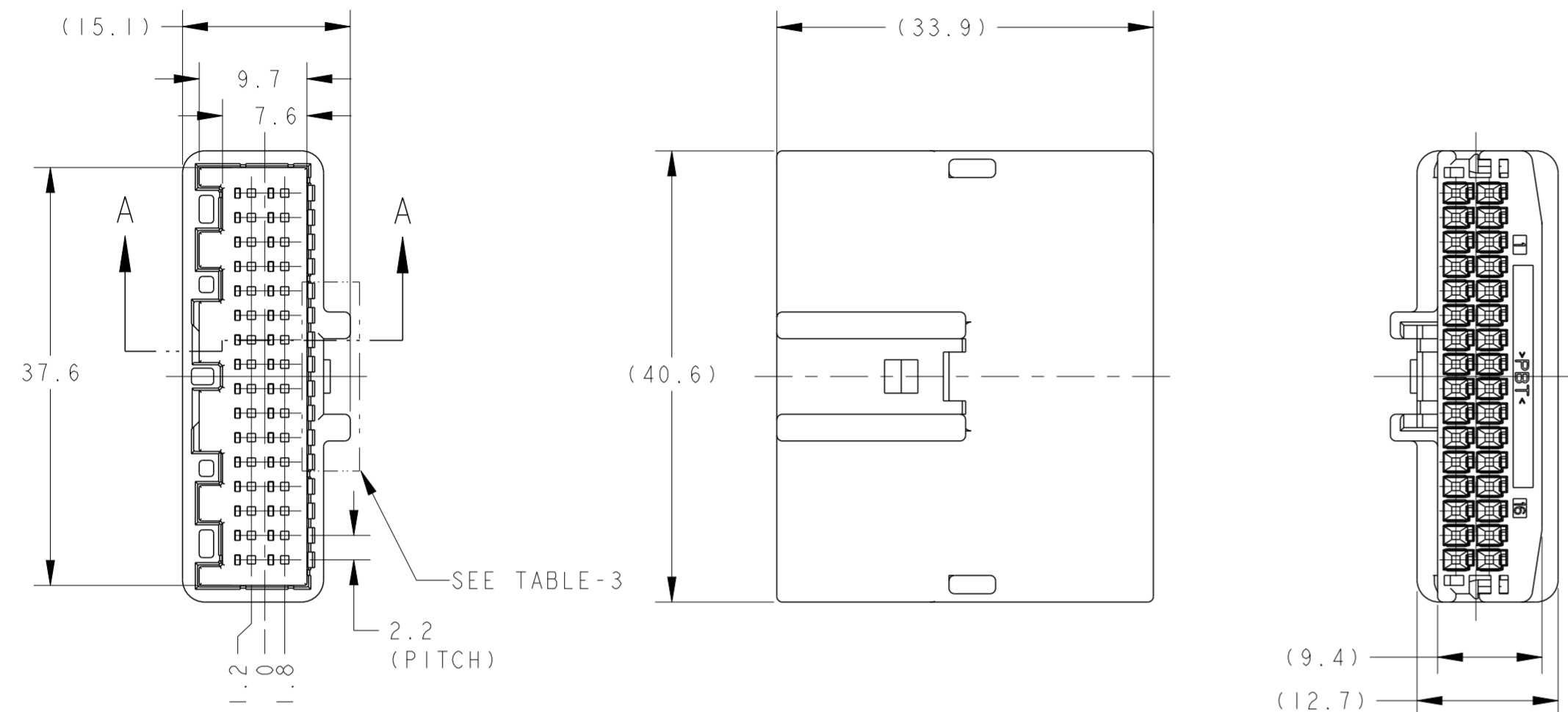


TABLE-1

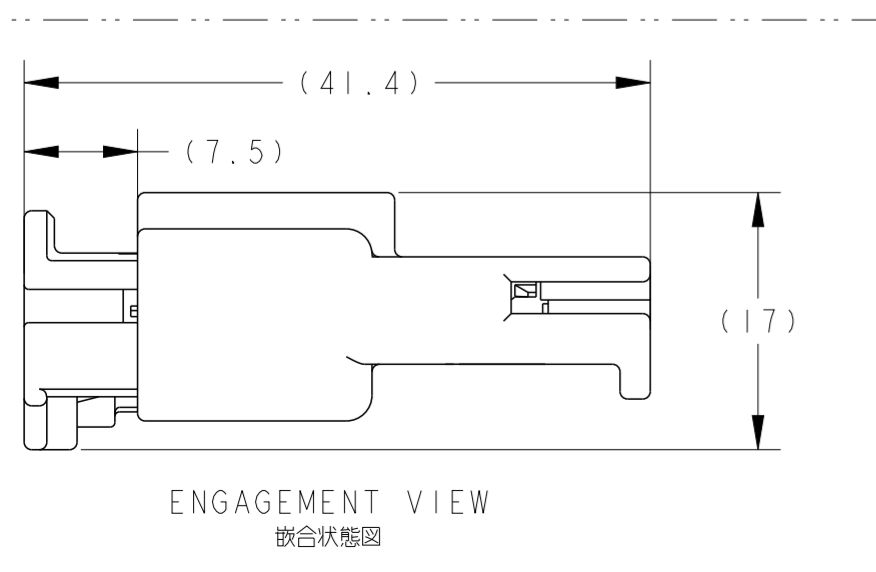
POS 極数	TERMINATION TYPE 結線方式	PLUG ASSEMBLY PART NO. 嵌合相手型番
32	CRIMP	1318747

TABLE-2

TYPE 端子種類	FINISH 仕上	APPLICABLE TERMINAL P/N	APPLICABLE WIRE RANGE 適用電線
SIGNAL 025	TIN	1674742-1	AVSS/CAVS/CAVUS/AVSSH-f 0.3~0.5mm ²

1. RETAINER MUST BE SET TO THE PRE-ASSEMBLY POSITION WITHIN THE CAP HOUSING WHEN SHIPPED TO THE CUSTOMER.
2. RETAINER MUST BE OUT SIDE OF CAP HOUSING AT PRE-ASSEMBLY
3. INSTRUCTION SHEET NO.; 411-78011
4. PART NUMBER OF PLUG HOUSING TO BE MATED; SEE TABLE-1
5. APPLICABLE TERMINAL; TABLE-2

1. リテーナはキャップ・ハウジングに仮係止して出荷される。
2. 仮係止時、リテーナはハウジングの外側に出ていること。
3. 取扱説明書NO.; 411-78011
4. 嵌合相手型番; TABLE-1参照
5. 適用端子; TABLE-2参照



PAPER BOX タンボール箱		PLASTIC BAG ビニール袋		NATURAL	1612268-1
OUTER 外装		INNER 内装		COLOR 色	PART NUMBER 型番
PACKING STYLE 梱包形態					
THIS DRAWING IS A CONTROLLED DOCUMENT.			DWN 28MAY03 D. MATSUJIRA CHK 28MAY03 T. KOHNO APVD 28MAY03 K. SHIMIZU PRODUCT SPEC 108-5787 APPLICATION SPEC 114-5340 WEIGHT 7.4g CUSTOMER DRAWING		
DIMENSIONS: 単位: 概 mm		TOLERANCES UNLESS OTHERWISE SPECIFIED: 一般公差 ±0.3 0-PLC ±0.5 1-PLC ±0.5 2-PLC ±0.13 3-PLC ±0.013 4-PLC ±0.0001 ANGLES ±3°00'		NAME 025 G W-W CONNECTOR 32POSITION CAP HOUSING ASSEMBLY SIZE A2 CAGE CODE 00779 DRAWING NO. C-1612268 RESTRICTED TO //	
MATERIAL 材料 PBT		FINISH 仕上 SEE TABLE		SCALE 2:1 SHEET 1 OF 1 REV A	