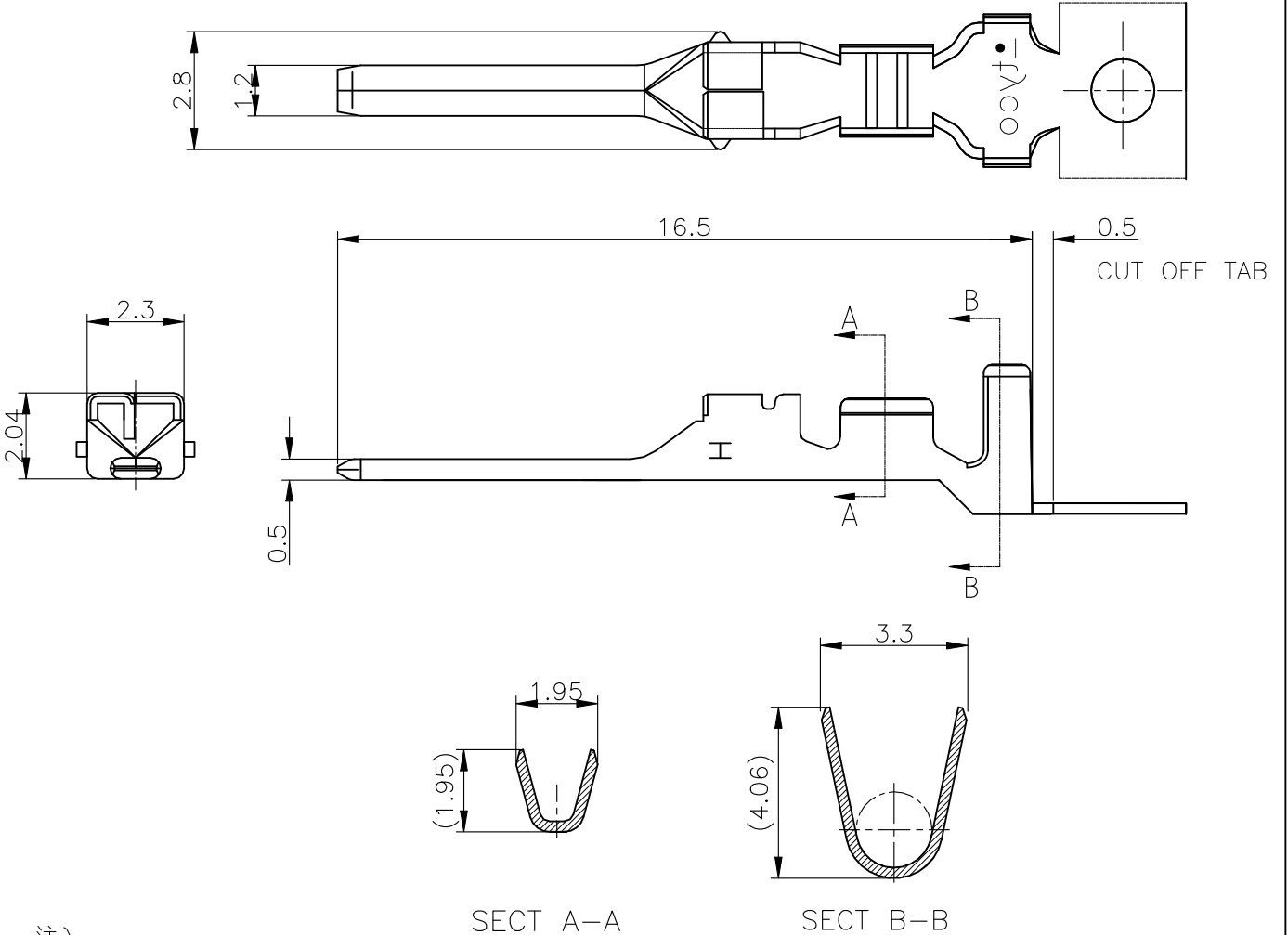


REVISIONS 変更					
P	LTR	DESCRIPTION	DATE	DWN	APVD
	A1	REVISED PER ECR-24-203653	27MAR'24	SC	D.Z



注)  
 1.一般公差: ±0.25  
 2.材料: 錫めっき済 銅合金

NOTES)  
 1.GENERAL TOLERANCE: ±0.25  
 2.MATERIAL:PRE-TIN COPPER ALLOY

1612335-1
<b>PART NUMBER</b>

WIRE RANGE 抱合電線断面積 0.13-0.34mm <sup>2</sup> (AWG#22-26)	INSULATION DIA 被覆外径 ø1.3-2.0mm
---	--------------------------------------

DWN A.OISHI 30 MAY'02	MATERIAL 材料 SEE NOTE	FINISH 仕上 SEE NOTE
-----------------------------	----------------------------	--------------------------

CHK M.SHINDO 30 MAY'02	PRODUCT SPEC 製品規格 108-5810	<b>TE</b> TE Connectivity
APVD M.SHINDO 30 MAY'02	APPLICATION SPEC 取付適用規格 114-5306	

NAME 名称 GRACE INERTIA CONNECTOR 3.5 TAB CONTACT(M)	SIZE A4	CAGE CODE 00779	DRAWING NO 番号 1612335	RESTRICTED TO —
---	------------	--------------------	-----------------------------	--------------------

WEIGHT	CUSTOMER DRAWING	SCALE 6:1	SHEET 1 OF 1	REV A1
--------	------------------	--------------	-----------------	-----------

RELEASED FOR PUBLICATION

ALL RIGHTS RESERVED.

© COPYRIGHT - TE Connectivity

THIS DRAWING IS UNPUBLISHED.

DIMENSIONS: 単位: 耗 mm	± -
TOLERANCES UNLESS OTHERWISE SPECIFIED: 一般公差	± -
0 PLC	± -
1 PLC	± -
2 PLC	± -
3 PLC	± -
4 PLC	± -
ANGLES	± -

