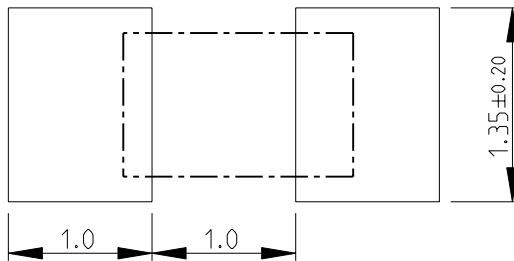
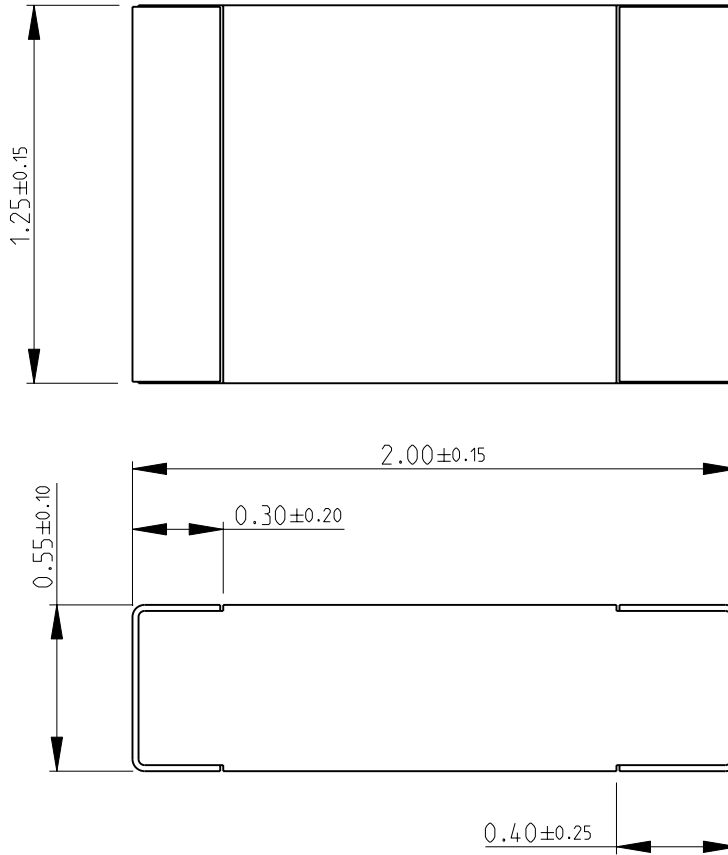


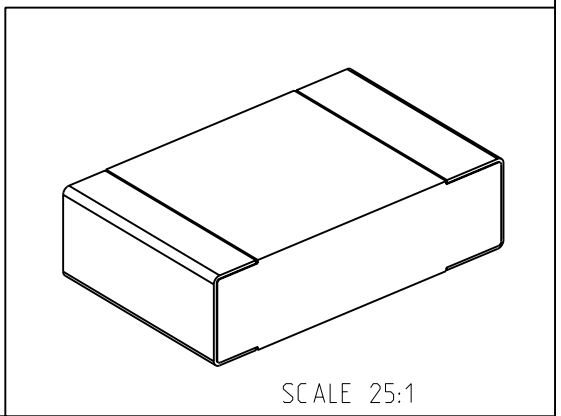
LOC	DIST	REVISIONS					
E	B	P	LTR	DESCRIPTION	DATE	DWN	APVD
			BA	NEW RELEASE	18-FEB-10	MRS	St.P

FOR FURTHER INFORMATION SEE DATA SHEET FOR  
RN73 SERIES-HIGH PRECISION RESISTORS (SMD)



RECOMMENDED LAND PATTERN

RoHS Compliant



SCALE 25:1

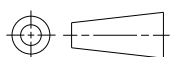
2010

RELEASED FOR PUBLICATION

THIS DRAWING IS UNPUBLISHED.

BY TYCO ELECTRONICS CORPORATION. ALL RIGHTS RESERVED.

DIMENSIONS:	
mm	
TOLERANCES UNLESS OTHERWISE SPECIFIED:	
0 PLC	±0.2
1 PLC	±0.1
2 PLC	±
3 PLC	±
4 PLC	±
ANGLES	±5°



DWN	MAHARUDRA	18-FEB-10
CHK	ALLAN.P	18-FEB-10
APVD	STEPHEN.P	18-FEB-10
PRODUCT SPEC	-	
APPLICATION SPEC	-	
WEIGHT	-	

MATERIAL	-	FINISH	-
		Tyco Electronics Corporation Dorcan, Swindon, SN3 5HH	
NAME			
HIGH PRECISION RESISTORS (SMD) SERIES RN73 2A			
SIZE	CAGE CODE	DRAWING NO	RESTRICTED TO
A 4	00779	© = 1614630	-
CUSTOMER DRAWING		SCALE	40:1
		SHEET	1 OF 1
		REV	BA