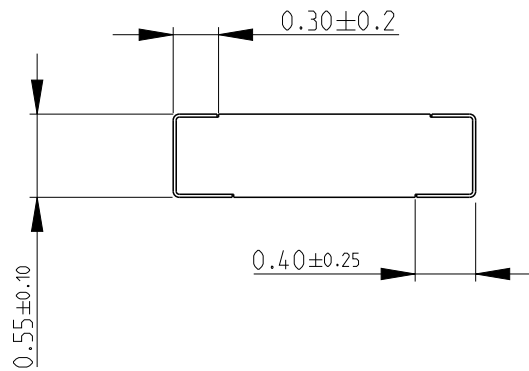
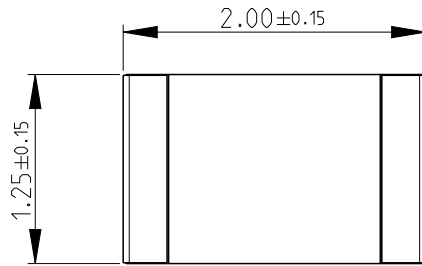
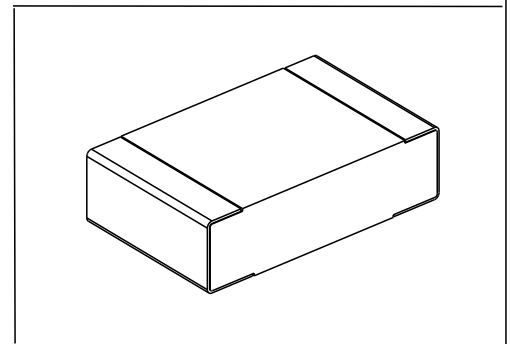
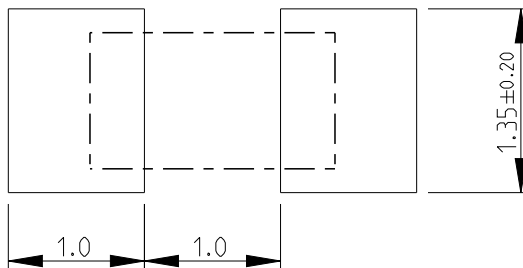


LOC	DIST	REVISIONS					
E	B	P	LTR	DESCRIPTION	DATE	DWN	APVD
		BA		NEW RELEASE	28FEB2013	KR	TN

FOR FURTHER INFORMATION SEE DATA SHEET FOR
RN73 SERIES-HIGH PRECISION RESISTORS (SMD)



RECOMMENDED LAND PATTERN



2010


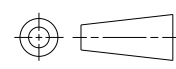
RELEASED FOR PUBLICATION

ALL RIGHTS RESERVED.

THIS DRAWING IS UNPUBLISHED.

BY -

© COPYRIGHT 2010

DIMENSIONS: mm	DWN RAGHAVENDRA.K 28FEB2013	MATERIAL	FINISH
TOLERANCES UNLESS OTHERWISE SPECIFIED:	CHK ALLAN.P 28FEB2013	 TE Connectivity	
0 PLC ±0.2	APVD TONY.N 28FEB2013		
1 PLC ±0.1	PRODUCT SPEC	NAME HIGH PRECISION RESISTORS - SMD	
2 PLC ±	APPLICATION SPEC	SERIES RN73 2A	
3 PLC ±		SIZE	RESTRICTED TO
4 PLC ±		A 4	-
ANGLES 5°	WEIGHT 0.005 GR	CAGE CODE	DRAWING NO
	Customer Drawing	©=1614695	
		SCALE 20:1	SHEET 1 OF 1
			REV BA