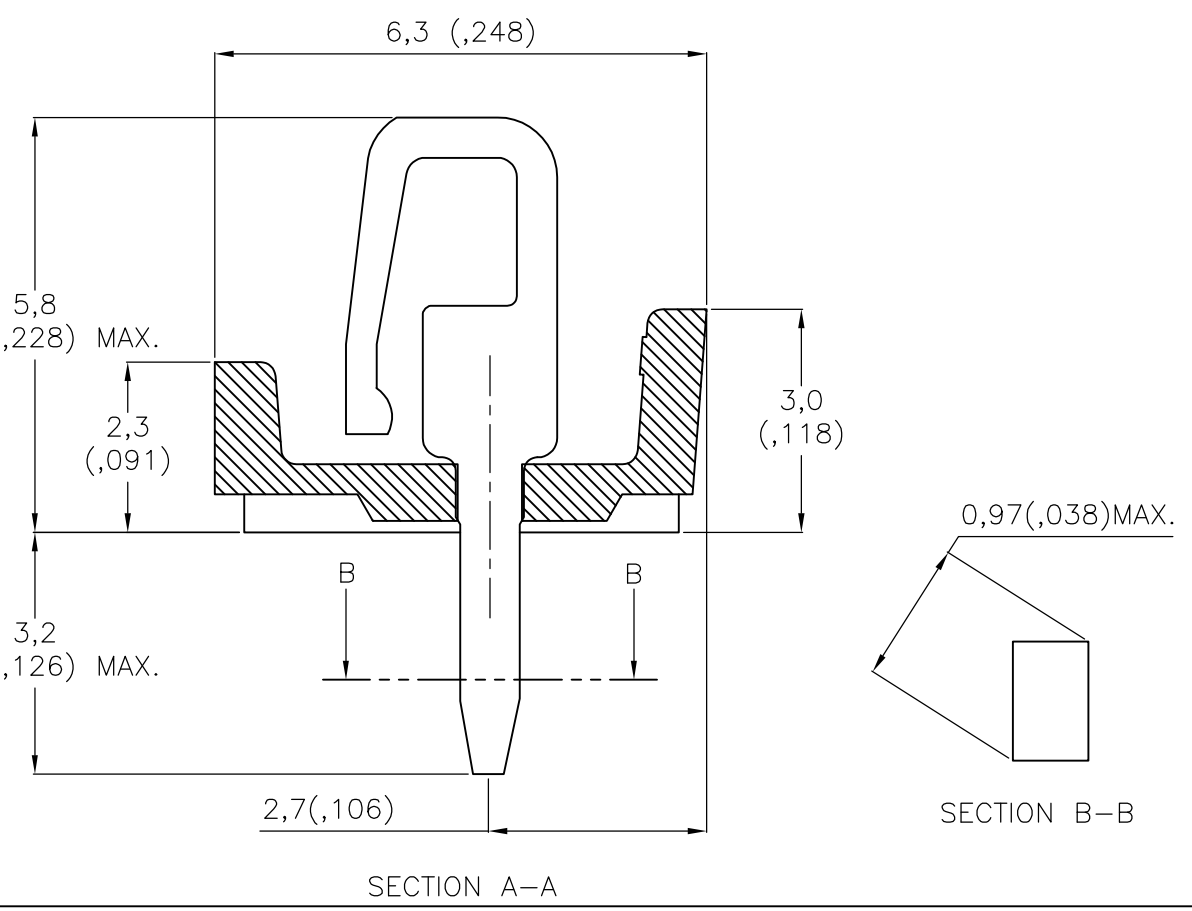
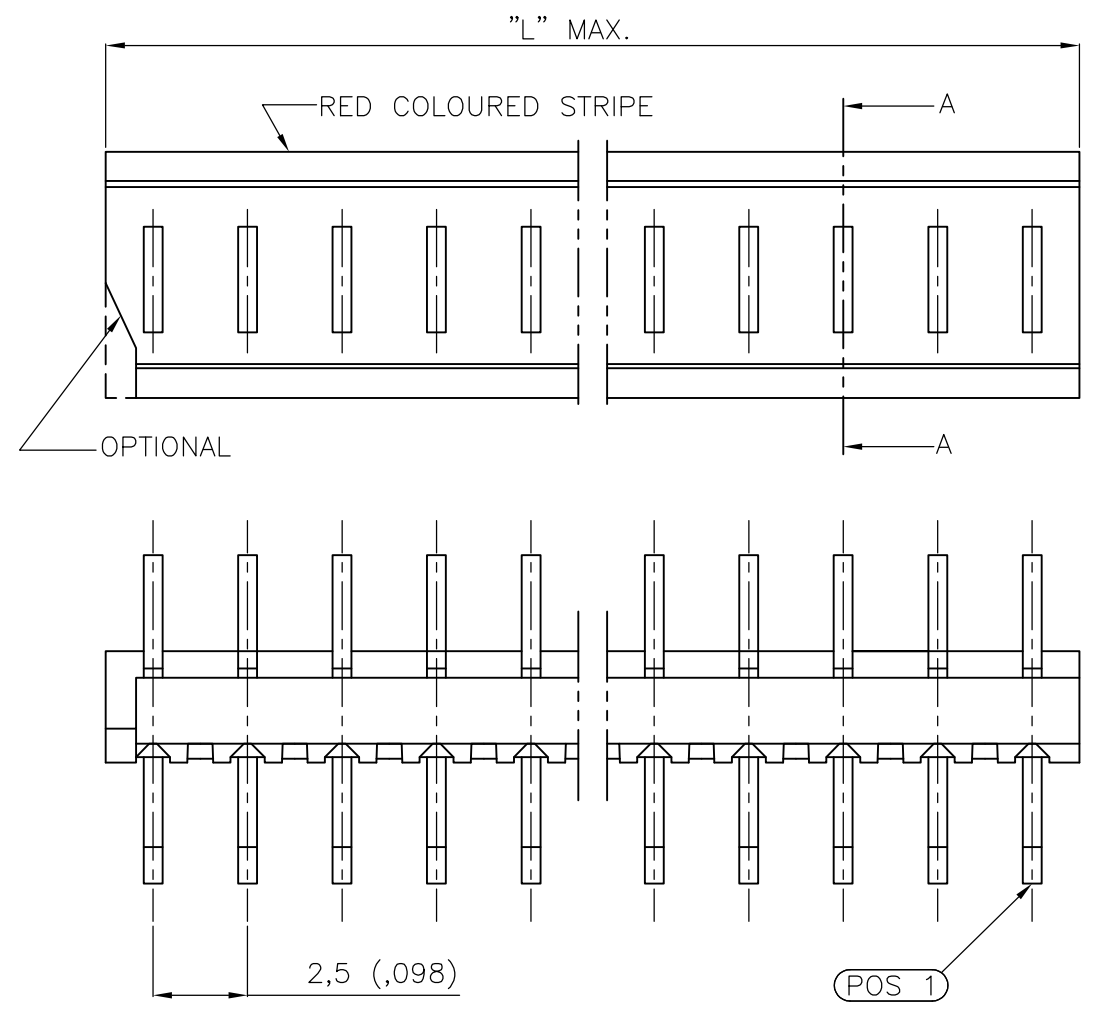


THIS DRAWING IS UNPUBLISHED. RELEASED FOR PUBLICATION
 © COPYRIGHT - BY TYCO ELECTRONICS CORPORATION. ALL INTERNATIONAL RIGHTS RESERVED.

LOC	DIST	REVISIONS					
H	-	P	LTR	DESCRIPTION	DATE	DWN	APVD
			K	-	-	-	-
			K1	ECR-08-014307	19-09-08	AEG	WRV
			K2	REVISED PER ECO-09-021510	12SEP09	KK	AEG



	PARTNUMBER	NUMBER OF POS.	"L" MAX.	
			mm	INCH
	OBSOLETE 0-161500-2	2	5,0	.197
	0-161500-3	3	7,5	.295
	0-161500-4	4	10,0	.394
1	OBSOLETE 0-161500-5	5	12,5	.492
1	OBSOLETE 0-161500-6	6	15,0	.591
	0-161500-7	7	17,5	.689
	0-161500-8	8	20,0	.787
1	OBSOLETE 0-161500-9	9	22,5	.886
1	SUPERCEDED 1-161500-0	10	25,0	.984
1	SUPERCEDED 1-161500-1	11	27,5	1.083
	1-161500-2	12	30,0	1.181
1	SUPERCEDED 1-161500-3	13	32,5	1.280
	1-161500-4	14	35,0	1.378
1	SUPERCEDED 1-161500-5	15	37,5	1.476
	SUPERCEDED 1-161500-6	16	40,0	1.575
	SUPERCEDED 1-161500-7	17	42,5	1.673
	SUPERCEDED 1-161500-8	18	45,0	1.772
	SUPERCEDED 1-161500-9	19	47,5	1.870
	2-161500-0	20	50,0	1.969
1	OBSOLETE 2-161500-1	21	52,5	2.067
	RESTRICTED 2-161500-3	23	57,5	2.264
	3-161500-0	30	75,0	2.953

1 OBSOLETE PARTS: OBSOLETE CIS STREAMLINING PER D.RENAUD/D.SINISI

HOUSING: P.B.T. WITH 20% GLASS FILLED	SEE TABLE
CONTACT: PHOSPHOR-BRONZE TIN-LEAD (93/7) PLATED	PARTNUMBER

THIS DRAWING IS A CONTROLLED DOCUMENT.		DWN 17AUG87 D.CAMPSCHROER	Tyco Electronics Corporation 's-Hertogenbosch, Nederland	
DIMENSIONS: mm		CHK 18FEB88 D.CAMPSCHROER		
TOLERANCES UNLESS OTHERWISE SPECIFIED:		APVD 22FEB88 L.VAN SOEST	NAME	
0 PLC ± - 1 PLC ± - 2 PLC ± - 3 PLC ± - 4 PLC ± - ANGLES ± -		PRODUCT SPEC	MINI-MATCH MALE CONNECTOR ASSEMBLY 2-20 POS.PITCH 2,5mm	
MATERIAL		APPLICATION SPEC	SIZE	CAGE CODE
-		WEIGHT	A3	00779
FINISH		DRAWING NO		RESTRICTED TO
-		G-161500		-
CUSTOMER DRAWING			SCALE	SHEET
			NTS	1 OF 1
			REV	K2