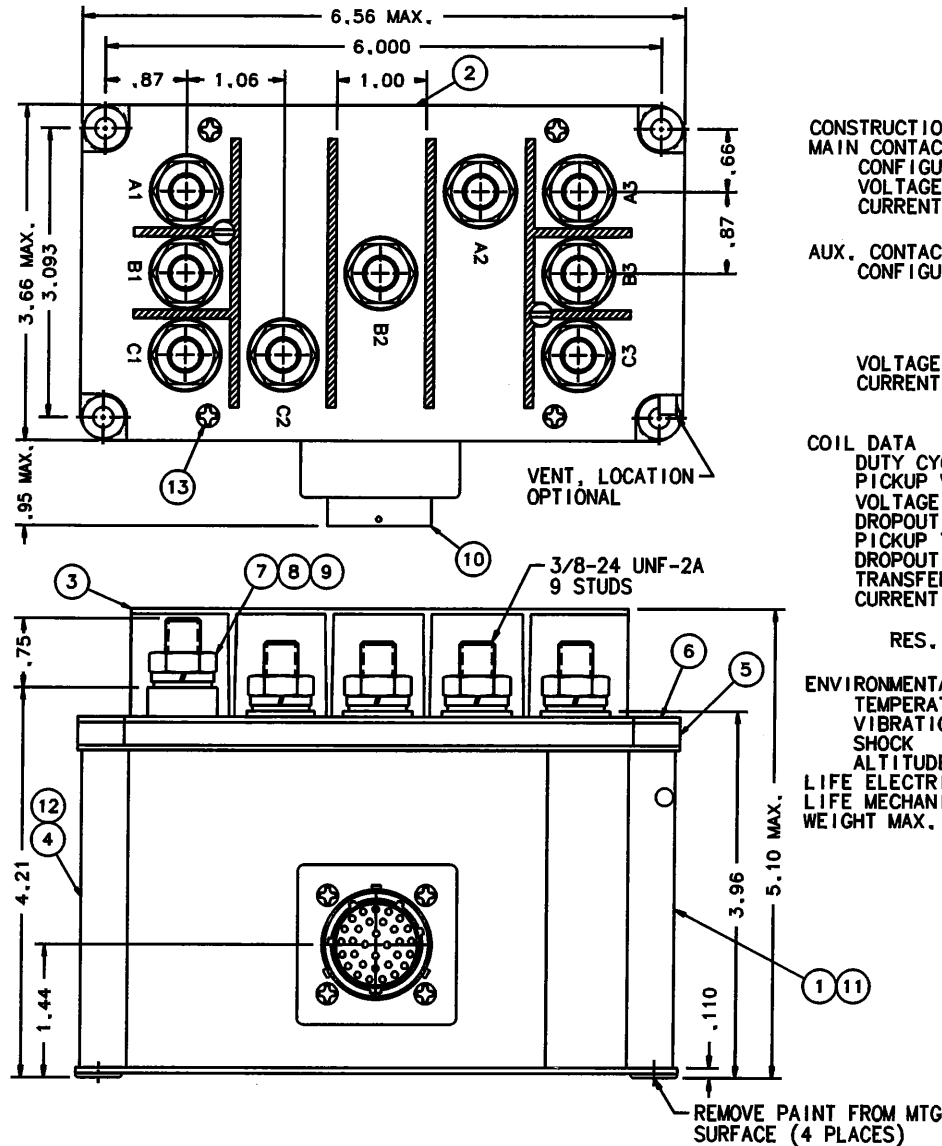


REVISIONS			RELEASED	99-04-07
REV	DESCRIPTION	DATE	APPROVED	
D	42805 DO-160C WAS MIL-E-3272	00-07-11	CC	
E	45668 ITEM 13 WAS 51200-030	01/10/02	CC	



CONSTRUCTION  
MAIN CONTACTS  
CONFIGURATION  
VOLTAGE (NOMINAL)  
CURRENT RES:  
INTER:

AUX. CONTACTS  
CONFIGURATION

VOLTAGE (NOMINAL)  
CURRENT RES:  
IND:  
LAMP:

COIL DATA  
DUTY CYCLE  
PICKUP VOLTAGE  
VOLTAGE (NOMINAL)  
DROPOUT  
PICKUP TIME  
DROPOUT TIME  
TRANSFER TIME  
CURRENT INRUSH:  
HOLD:  
RES. PICKUP:  
HOLD:

ENVIRONMENTAL DATA  
TEMPERATURE  
VIBRATION  
SHOCK  
ALTITUDE  
LIFE ELECTRICAL  
LIFE MECHANICAL  
WEIGHT MAX.

GASKET SEALED (VENTED)

3PDT CENTER OFF DOUBLE BREAK  
115/200 VAC 400 HZ  
225 AMPS  
1000 AMPS

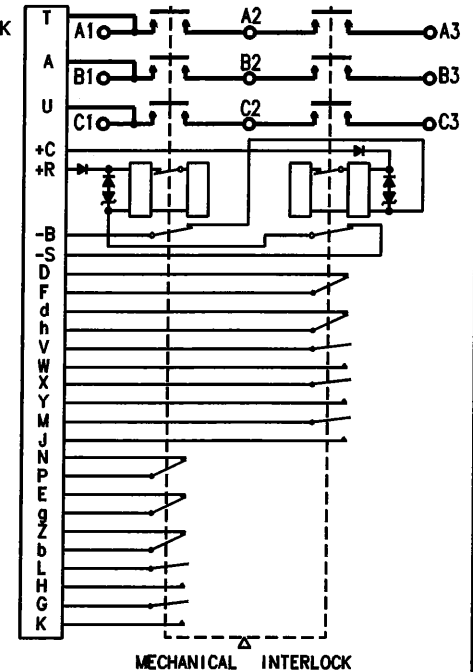
3 SPST N.C. R-S  
2 SPST N.O. COIL

3 SPST N.O. C-B  
2 SPST N.C. COIL

28 VDC OR 200 VAC 400 HZ  
5 AMP  
5 AMP  
1 AMP

CONTINUOUS (ECONOMIZING)  
16 VDC AT 20°C  
18-30 VDC  
1-14 VDC  
25 MILLISECOND (MAX)  
20 MILLISECOND (MAX)  
25 MS MAX AT 28 VDC, 25°C  
5 AMPS  
.350 AMPS  
7 OHM ±20% AT 20°C  
70 OHM ±20% AT 20°C

-65°F TO 160°F  
PER DO-160C, CAT. C  
15 G'S FOR 11 MILLISECONDS  
50,000 FEET  
50,000 CYCLES W/RATED LOAD  
100,000 CYCLES  
4.8 LBS.



- NOTES:
- THIS UNIT DESIGNED TO THE BASIC REQUIREMENTS OF MIL-R-6106.
  - TERMINAL COVERS NOT SHOWN ON TOP VIEW.
  - MECHANICAL INTERLOCK PREVENTS SIMULTANEOUS CLOSING OF BOTH SETS OF CONTACTS.
  - TERMINAL SHIELD MOLDED OF SELF EXTINGUISHING ZYTEL 51.
  - COIL TRANSIENT VOLTAGE LIMITED TO ±50 VOLTS REFERENCED TO ZERO VOLTS.
  - COIL POLARITY INDICATED ON UNIT WIRING DIAGRAM.
  - CONNECTOR IS COMPATIBLE WITH CONNECTOR DESIGNED TO MEET MIL-C-26482.
  - MAIN CONTACTS AND AUXILIARY CONTACTS OPERATE WITHIN 5 MS OF EACH OTHER.
  - MAX TORQUE 3/8-24 TERMINAL 150 INCH LBS.

- NOTES: (CONT)
- COIL CURRENT AT -65°F +160°F  
INRUSH AT 18 VDC 3.4 ±20% 1.84 ±20%  
HOLDING AT 18 VDC .328 ±20% .210 ±20%  
INRUSH AT 28 VDC 3.38 ±20% 2.55 ±20%  
HOLDING AT 28 VDC .524 ±20% .340 ±20%
  - CONTACT TRANSFER TIME, THE ELAPSED TIME FROM CONTACT OPENING ON ONE SIDE TO CONTACT CLOSING ON THE OTHER WHEN OPENING ONE COIL AND CLOSING THE OTHER.

CONFIGURATION  
CONTROLLED

FIND NO	QTY	RECD	PART OR IDENTIFYING NO	NOMENCLATURE OR DESCRIPTION	FSOM NO	DRAWING OR SPECIFICATION	MATERIAL OR NOTE
13	4		51200-020	SCREW, NO. 4 X 1/4 PAN HD.			ST. STL.
12	1		39529-019	OVERLAY			
11	1		39529-001	OVERLAY			
10	1		REF.	CONNECTOR		PT02E-18-32P	
9	9		51807-084	WASHER - LOCK 3/8 SPLIT			BRONZE
8	9		51704-024	WASHER - FLAT 5/8 X 25/64 X .062			BRASS
7	9		50407-164	NUT - 3/8-24 X 5/8 X 7/32 HEX			BRASS
6	1		44592-001	PLATE - BASE COVER			
5	1		44591-010	CONTACTOR ASSEMBLY - PRIMARY			
4	1		44856-001	PLATE - WIRING DIAGRAM			
3	1		31319-020	TERMINAL SHIELD ASSY			
2	1		25695-001	PLATE - WARNING			
1	1		16043-001	PLATE - NAME			

UNLESS OTHERWISE SPECIFIED DIMENSIONS ARE IN INCHES TOLERANCES ON	DR BY	CSC	DATE	CII Technologies™		
2 PL DEC. 3 PL DEC. ANGLES	CHK BY	CC	01/10/10	Hartman Division • 175 N. DIAMOND STREET • MANSFIELD, OHIO 44902		
± .03 ± .010 ± 1°	ENGR	WS	01-10-11	CONTACTOR 3PDT CENTER OFF DBL BRK 225 AMP 115/200 VAC 400 HZ		
	MFG	PS	09-10-11			
REF.	RELEASE	U		SIZE	CODE IDENT	DWG NO.
BRITISH AEROSPACE	CONTR NO.			C	74063	SA161
HATFIELD/CHESTER	GOVT APPVL			SCALE	NONE	SHEET