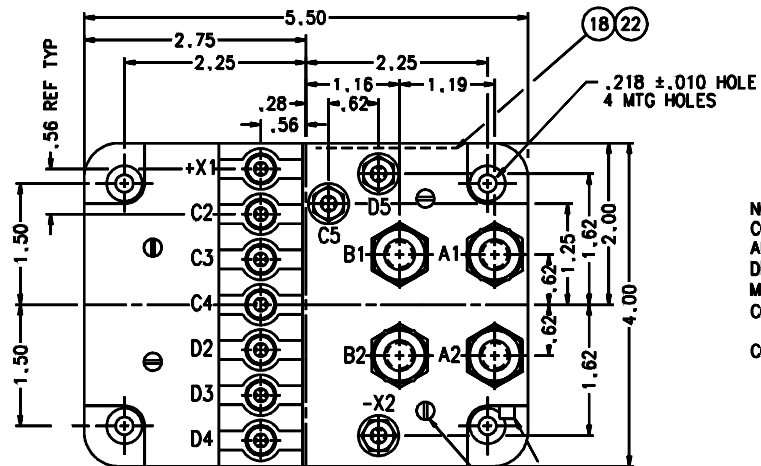


A-848MAS

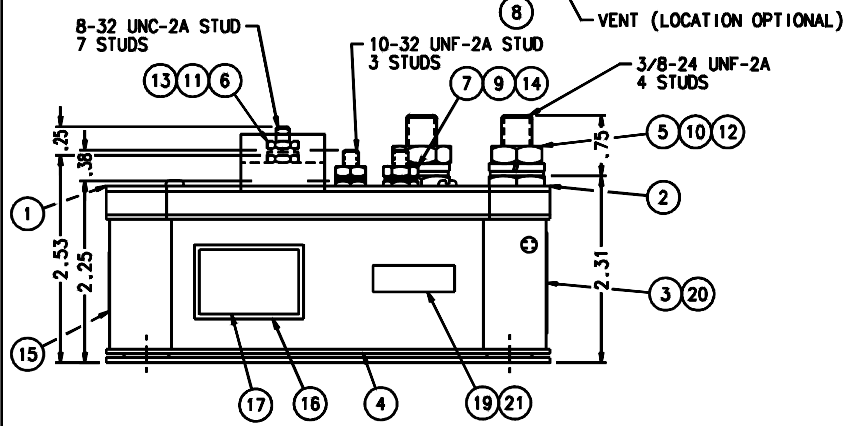
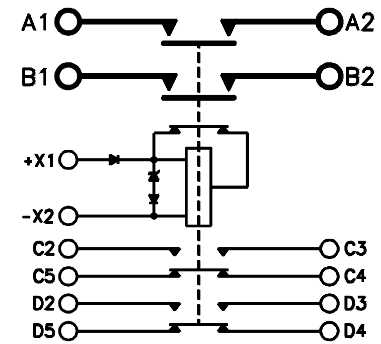
REV. J

FAA/PMA

REVISIONS			RELEASED	
REV	ECN No.	DESCRIPTION	DATE	APPROVED
G	31795	REDRAWN, FIND NOS 20, 21, & 22	97/01/07	RS
H	43672	.281 ±.010 HOLE DIA WAS .218 ±.005; REMOVED CUSTOMER CALLOUT	00/12/01	CC
J	05-2051	MTG HOLES WERE .281	05/05/06	CB



NOMINAL COIL VOLTAGE 28 VOLTS
 CONTACT RATING 300 AMP, 28 VDC
 AUXILIARY CONTACTS 3 AMP IND, 28 VDC
 DROPOUT VOLTAGE 7 V, MAX.
 MAX. WEIGHT 3 LBS. 14 OZ.
 COIL CURRENT: PICKUP 3.0 AMP
 HOLDING 0.35 AMPS
 CONTACTOR PICKUP VOLTAGE 18 VOLTS DC MAX
 DROPOUT VOLTAGE BELOW 9 V (12V HOT)



NOTE: MODIFICATION "A" THE CONTACTOR INSULATED FROM THE MOUNTING SURFACE.

22	1	39529-007	OVERLAY			
21	1	39529-024	OVERLAY			
20	1	39529-001	OVERLAY			
19	1	58400-017	PLATE-FAA/PMA			
18	1	41879-001	PLATE-WIRING DIAGRAM			
17	1	41590-001	PLATE-MODIFICATION LEVEL			
16	1	39529-029	OVERLAY			
15	1	17959-001	PLATE-WARNING			
14	3	51810-054	LOCKWASHER, NO 10 SPLIT	MS35338-100	BRONZE	
13	7	51808-034	LOCKWASHER, NO 8 SPLIT	MS35338-99	BRONZE	
12	4	51807-084	LOCKWASHER, 3/8 X .688 X .094 SPLIT	MS35338-103	BRONZE	
11	7	51712-104	WASHER, 3/8 X 11/64 X .032 FLAT	AN961-8	BRASS	
10	4	51704-024	WASHER, 5/8 X 25/64 X .062 FLAT	AN961-616	BRASS	
9	3	51702-844	WASHER, 3/8 X 13/64 X .032 FLAT	AN961-10	BRASS	
8	4	51200-020	SCREW, 4 X 1/4 PAN HD SHEET METAL		S. STEEL	
7	3	50410-084	NUT, 10-32 X 3/8 X 1/8 HEX	MS20341-616B	BRASS	
6	7	50408-034	NUT, 8-32 X 5/16 X 3/32 HEX	MS35649-286	BRASS	
5	4	50407-164	NUT, 3/8-24 X 5/8 X 7/32 HEX	MS20341-616B	BRASS	
4	1	33259-010	CONTACTOR ASSEMBLY-PRIMARY			
3	1	16043-001	PLATE-NAME			
2	1	15842-001	PLATE-BASE COVER			
1	1	14123-002	PLATE-BASE COVER			

FIND NO	QTY REQD	PART OR IDENTIFYING NO	NOMENCLATURE OR DESCRIPTION	FSM NO	DRAWING OR SPECIFICATION	MATERIAL OR NOTE
UNLESS OTHERWISE SPECIFIED DIMENSIONS ARE IN INCHES TOLERANCES ON			 Hartman Division, 175 N. DIAMOND STREET, MANSFIELD, OHIO 44802			
2 PL DEC., 3 PL DEC., ANGLES						
±.06 ±.005 ±.1°			DR BY CSC 100/12/20	CONTACTOR-CONTINUOUS DUTY 300 AMP, 28V, DPST NO 093		
			CHK BY CC 01/01/02			
			ENGR JL 01/01/04			
			MFG MH 01/01/04			
SIZE CODE IDENT			DNG NO. A-848MAS			
C 74063			REF TYCO P/N 1616102-2			
SCALE NONE SHEET						