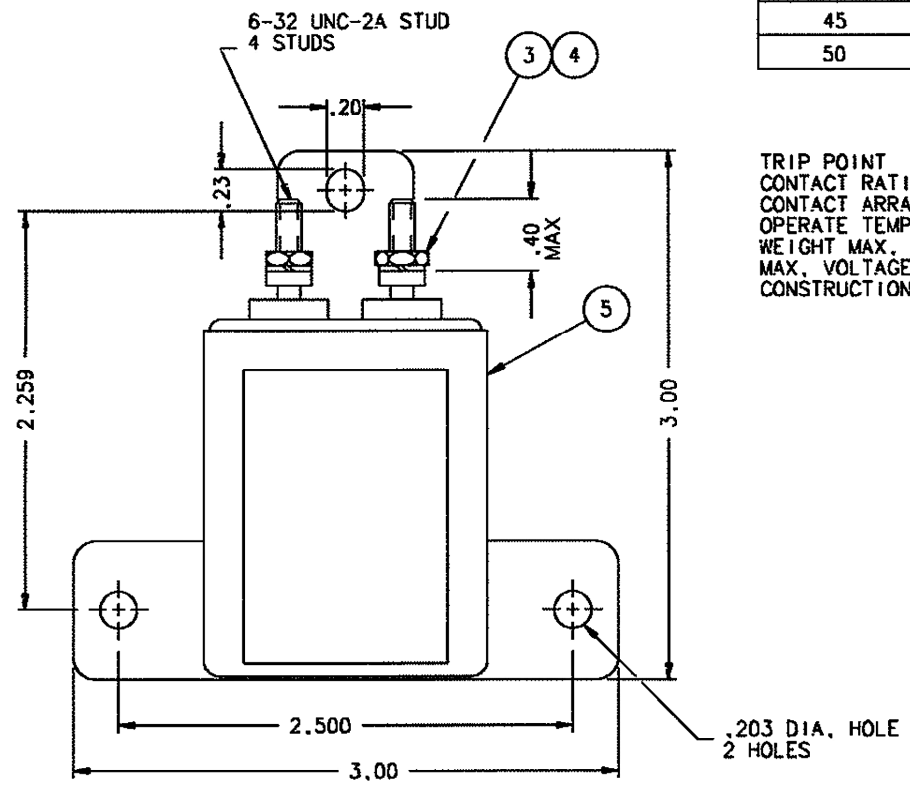
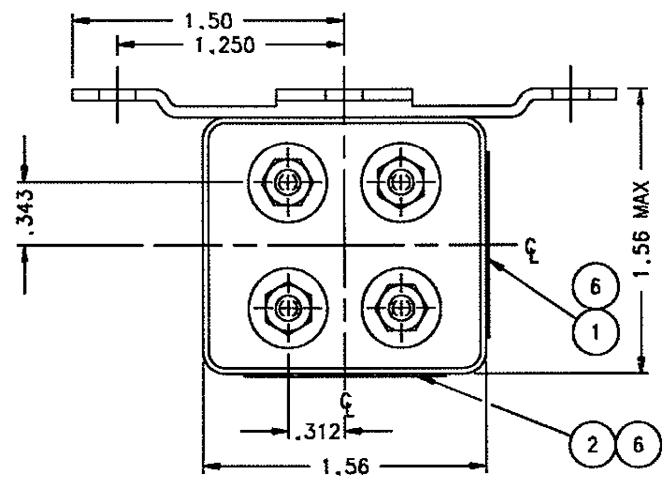
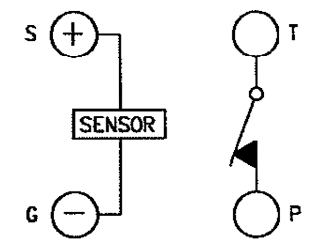


REVISIONS		RELEASED	86-08-20
REV.	DESCRIPTION	DATE	APPROVED
C	0632-03 REDRAWN; ADDED ITEM 6	03/07/15	CC



TIME ——— VOLTAGE CURVE				
SPEC. MIL - STD - 704C				
VOLTAGE	MIN.	TIME	MAX.	TIME
32.5	.075		.30	
35.0	.062		.16	
40	.046		.091	
45	.029		.061	
50	.012		.045	



TRIP POINT
CONTACT RATING
CONTACT ARRANGEMENT
OPERATE TEMPERATURES
WEIGHT MAX.
MAX. VOLTAGE
CONSTRUCTION

31.5 ±1 VDC
5 AMP RES
SPST N.C.
-55°C TO +71°C
6 OZ.
150 V.
CONTACTS HERMETICALLY SEALED

FIND NO	QTY RECD	PART OR IDENTIFYING NO	NOMENCLATURE OR DESCRIPTION	FSC# NO	DRAWING OR SPECIFICATION	MATERIAL OR NOTE
6	2	39529-001	OVERLAY			
5	1	30326-020	RELAY ASSEMBLY-PRIMARY			
4	4	51806-014	WASHER-LOCK-No.6 SPLIT			BRONZE
3	4	50406-034	NUT-No. 6-32 X 1/4 X5/64 HEX.			BRASS
2	1	32743-001	PLATE-WIRING DIAGRAM			
1	1	22039-001	PLATE-NAME			

SCHEMATIC No. 32340-001

UNLESS OTHERWISE SPECIFIED DIMENSIONS ARE IN INCHES TOLERANCES ON			
2 PL DEC. 3 PL DEC. ANGLES		Hartman Division, 175 N. DIAMOND STREET WANSFIELD, OHIO 44092	
DR BY	CSC 03/08/21	RELAY - OVERVOLTAGE WITH TIME DELAY 093	
CHK BY	CC 03/08/27		
ENGR	LSH 03-08-27		
MFG	MB 03-08-27	DRG NO. E-311AAB	
SIZE	C 74063	REF TYCO P/N 0-1616126-8	
* .03	.010 ± 1*	SCALE IN/NO SHEET	