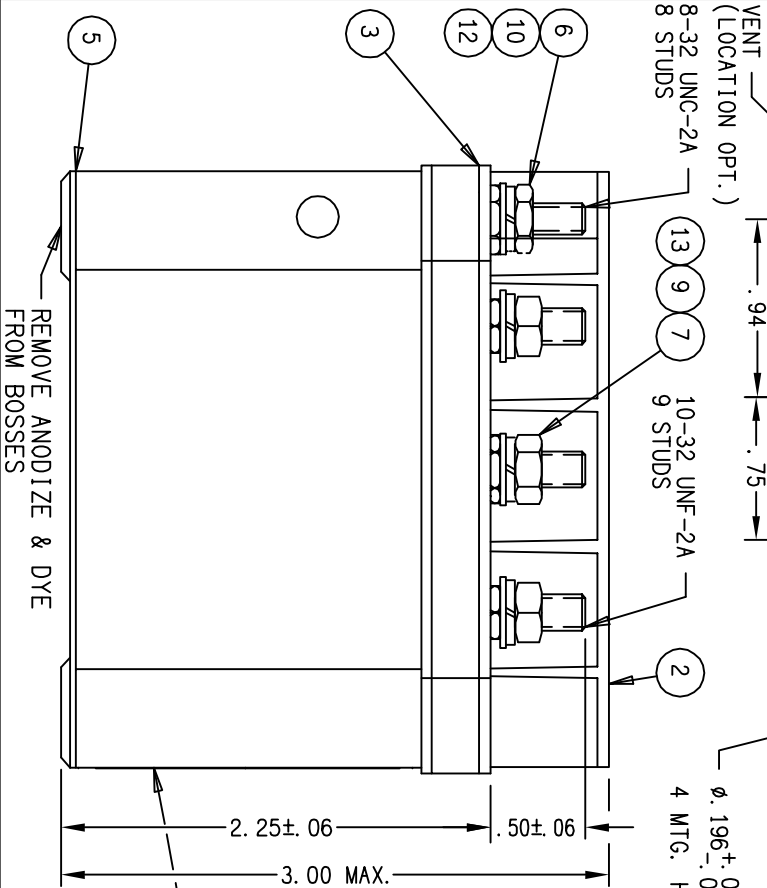
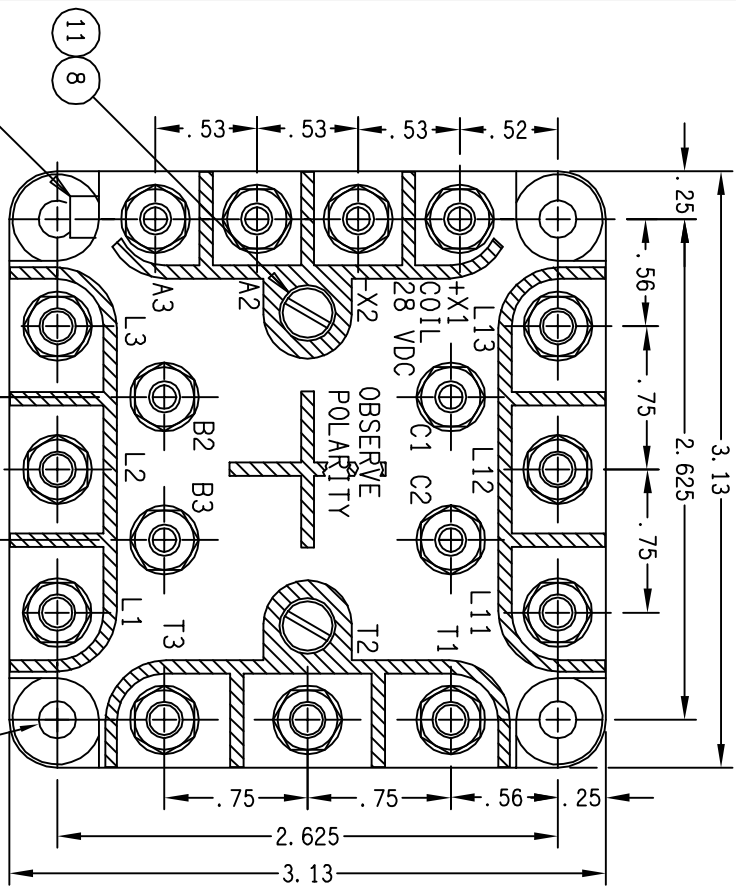


REV	ECN No.	DESCRIPTION	RELEASED DATE	APPROVED
A	11-024834	ITEM 7 WAS -054	11/12/01	CB



NOMINAL VOLTAGE
 COIL
 CONTACTS
 CONTACT RATING

28 V DC
 200 V AC, 400 HZ
 60 AMPS/PHASE

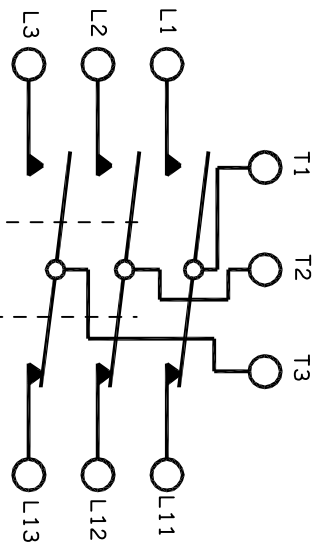
CONTACTS
 PICKUP VOLTAGE
 DROPOUT VOLTAGE
 COIL CURRENT AT 29V (EST) MAX
 & 25°C
 WEIGHT (MAX)
 AUX CONTACT RATING

TPD1 NC
 18 V MAX (HOT)
 7 +0/-5.5 VOLTS
 .5 AMP
 1 LB 8.5 OZ

INDUCTIVE
 RESISTIVE
 MOTOR

3 AMP
 5 AMP
 3 AMP

NOTES:
 1. TERMINAL COVER STAMPED "DANGER HIGH VOLTAGE"
 2. MAX AMBIENT TEMP TO BE 120°C
 3. MODIFIED FROM B-138XAH FOR COLUMBIA HELICOPTER.



QTY	RECD	IDENTIFYING NO	PART OR IDENTIFYING NO	NOMENCLATURE OR DESCRIPTION	FSCM NO	DRAWING OR SPECIFICATION	MATERIAL OR NOTE
13	9	51810-054	51810-054	WASHER - LOCK NO. 10 SPLIT		MS35338-100	BRONZE
12	8	51808-064	51808-064	WASHER - LOCK NO. 8 SPLIT		MS35338-99	BRONZE
11	2	51806-034	51806-034	WASHER - LOCK NO. 6 INT.		MS35333-68	BRONZE
10	8	51712-104	51712-104	WASHER - 3/8 X 11/64 X .032		AN961-8	BRASS
9	9	51702-844	51702-844	WASHER - 3/8 X 13/64 X .032		AN961-10	BRASS
8	2	51206-644	51206-644	SCREW - 6-32 X 3/4 RD. HD.		MS35214-29	BRASS
7	9	50410-174	50410-174	NUT - 10-32 X 5/16 X 9/64 HEX.			BRASS
6	8	50408-034	50408-034	NUT - 8-32 X 5/16 X 3/32 HEX.			BRASS
5	1	21432-050	21432-050	CONTACTOR ASSEMBLY - PRIMARY			
4	1	39529-001	39529-001	OVERLAY NAME PLATE			
3	1	14898-002	14898-002	PLATE - BASE COVER			
2	1	12531-003	12531-003	SHIELD - TERMINAL			
1	1	16043-001	16043-001	PLATE - NAME			

UNLESS OTHERWISE SPECIFIED DIMENSIONS ARE IN INCHES TOLERANCES ON

± .03	± .010	± 1°
-------	--------	------

2 PL. DEC. 3 PL. DEC. ANGLES

MATERIAL

DR BY	WER	99-12-07
CHK BY	RS	99-12-09
ENGR	WER	99-12-09
MFG	MB	99-12-10

SIZE CODE IDENT

C 74063

SCALE NONE SHEET

Hotchkiss Division, 175 N. DIAMOND STREET, WANSFELD, OHIO 44902

STE

CONTACTOR-TPDT NC

DWG NO. B-138XAH-1

093

REF TE P/N 1616523-6