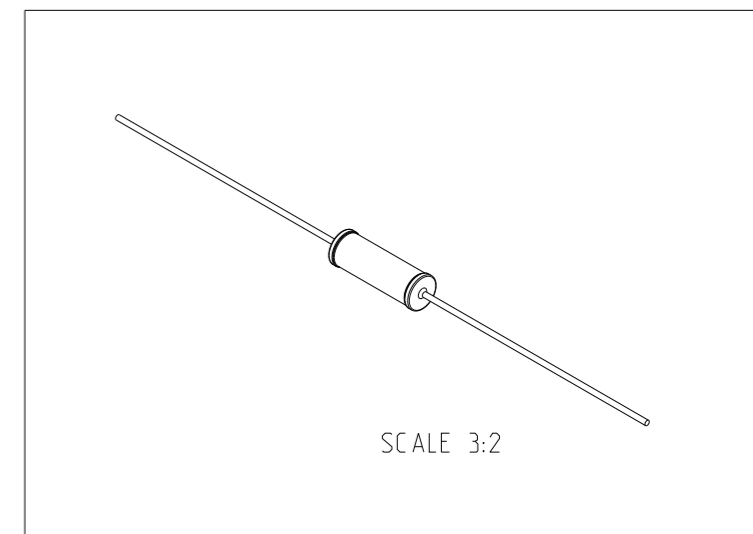
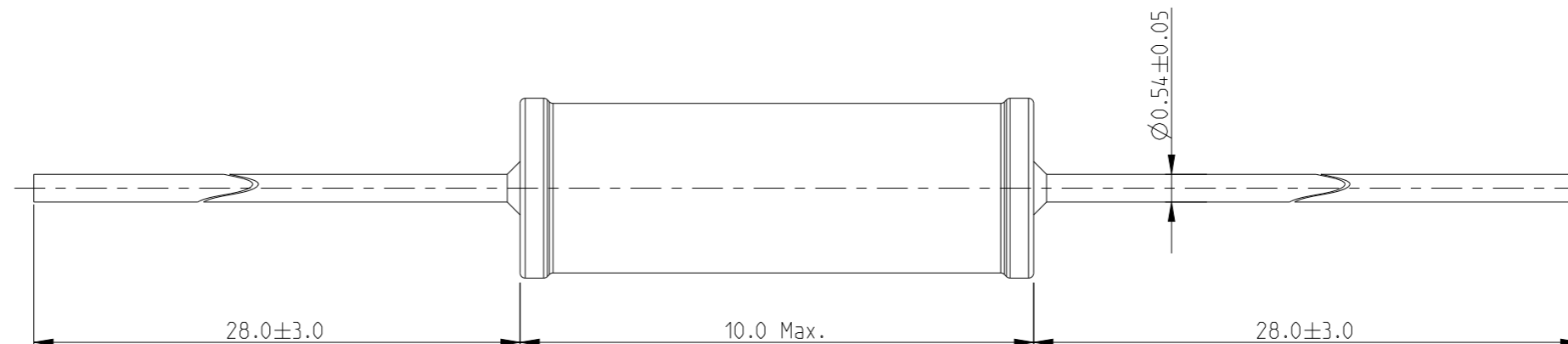
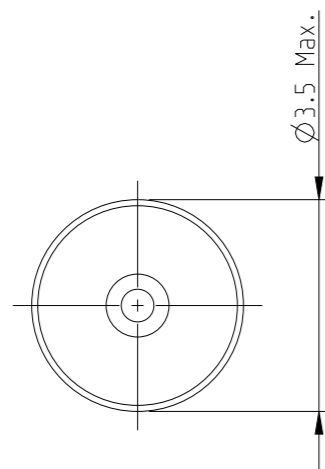


REVISIONS

P	LTR	DESCRIPTION	DATE	DWN	APVD
	BA	NEW RELEASE	23-MAR-10	MRS	St.P
	BB	CLARIFICATION OF DIMENSIONS	18JAN2023	DM	AP

FOR FURTHER INFORMATION SEE DATA SHEET FOR SERIES LR, METAL FILM FIXED RESISTORS



RoHS Compliant

THIS DRAWING IS A CONTROLLED DOCUMENT.		DWN MAHARUDRA 23-MAR-10		
		CHK ALLAN.P 23-MAR-10		
		APVD STEPHEN.P 23-MAR-10	NAME METAL FILM FIXED RESISTORS SERIES LR2	
DIMENSIONS: mm		PRODUCT SPEC -	APPLICATION SPEC -	
TOLERANCES UNLESS OTHERWISE SPECIFIED:		WEIGHT -	SIZE A3	CAGE CODE 00779
0 PLC ±0.2	1 PLC ±0.1	FINISH -	DRAWING NO C=1622709	RESTRICTED TO -
2 PLC ±-	3 PLC ±-		SCALE 8:1	SHEET 1 OF 1
4 PLC ±-	ANGLES ±5°		CUSTOMER DRAWING	REV BB