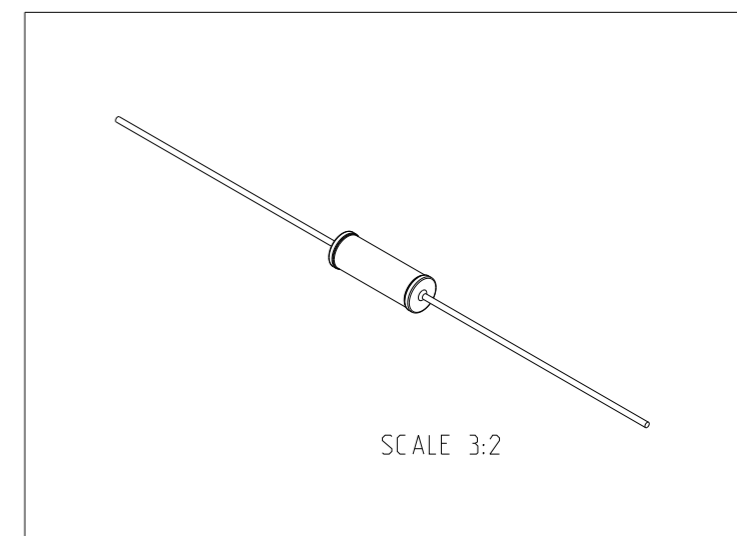
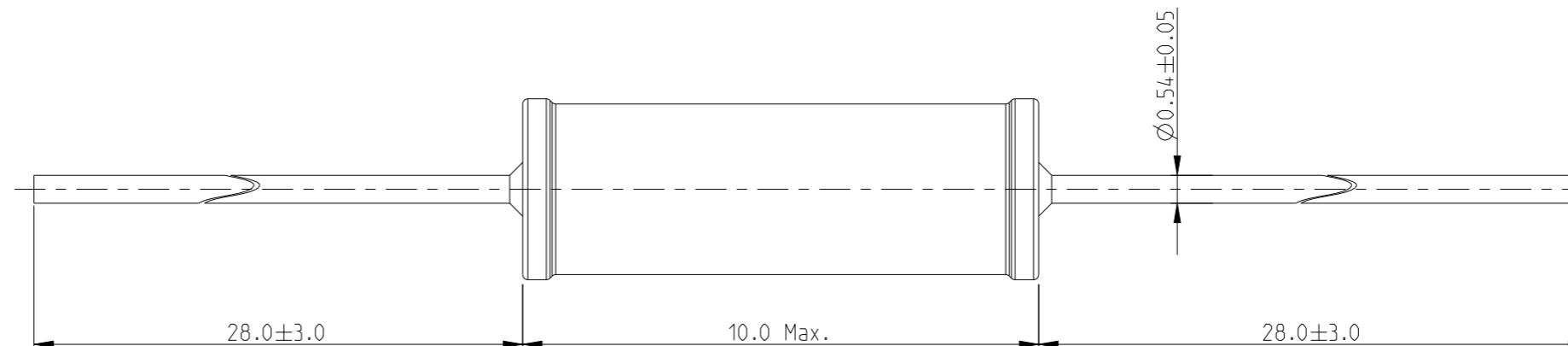
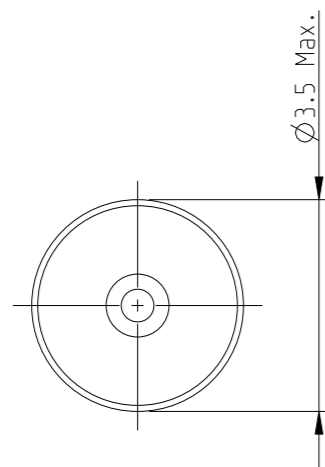


REVISIONS

P	LTR	DESCRIPTION	DATE	DWN	APVD
	BA	NEW RELEASE	23-MAR-10	MRS	St.P
	BB	CLARIFICATION OF DIMENSIONS	18JAN2023	DM	AP

FOR FURTHER INFORMATION SEE DATA SHEET FOR SERIES LR, METAL FILM FIXED RESISTORS



RoHS Compliant

THIS DRAWING IS A CONTROLLED DOCUMENT.		DWN MAHARUDRA 23-MAR-10														
DIMENSIONS: mm		CHK ALLAN.P 23-MAR-10														
TOLERANCES UNLESS OTHERWISE SPECIFIED:		APVD STEPHEN.P 23-MAR-10														
<table border="1"> <tr> <td>0 PLC</td> <td><math>\pm 0.2</math></td> </tr> <tr> <td>1 PLC</td> <td><math>\pm 0.1</math></td> </tr> <tr> <td>2 PLC</td> <td><math>\pm</math></td> </tr> <tr> <td>3 PLC</td> <td><math>\pm</math></td> </tr> <tr> <td>4 PLC</td> <td><math>\pm</math></td> </tr> <tr> <td>ANGLES</td> <td><math>\pm 5^\circ</math></td> </tr> </table>		0 PLC	$\pm 0.2$	1 PLC	$\pm 0.1$	2 PLC	$\pm$	3 PLC	$\pm$	4 PLC	$\pm$	ANGLES	$\pm 5^\circ$	PRODUCT SPEC -	NAME METAL FILM FIXED RESISTORS SERIES LR2	
0 PLC	$\pm 0.2$															
1 PLC	$\pm 0.1$															
2 PLC	$\pm$															
3 PLC	$\pm$															
4 PLC	$\pm$															
ANGLES	$\pm 5^\circ$															
MATERIAL -		FINISH -	APPLICATION SPEC -	RESTRICTED TO -												
CUSTOMER DRAWING			WEIGHT -	SIZE A3												
			SCALE 8:1	CAGE CODE 00779												
			DRAWING NO C-1622730	SHEET 1 OF 1												
			REV BB													