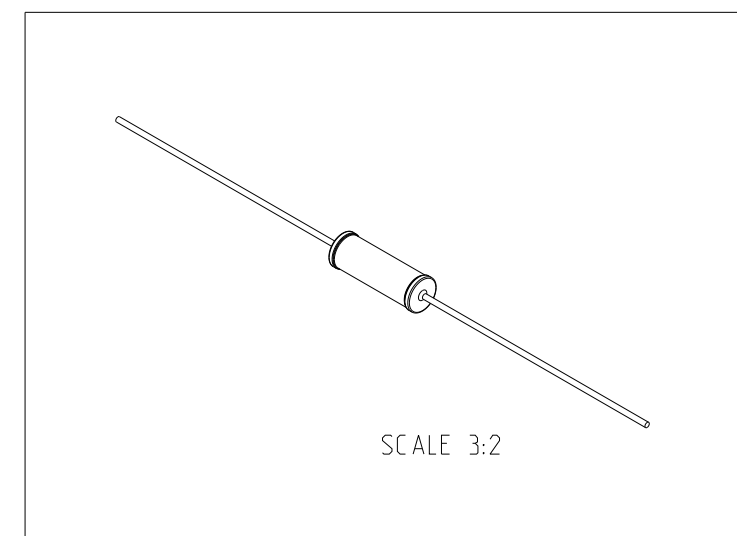
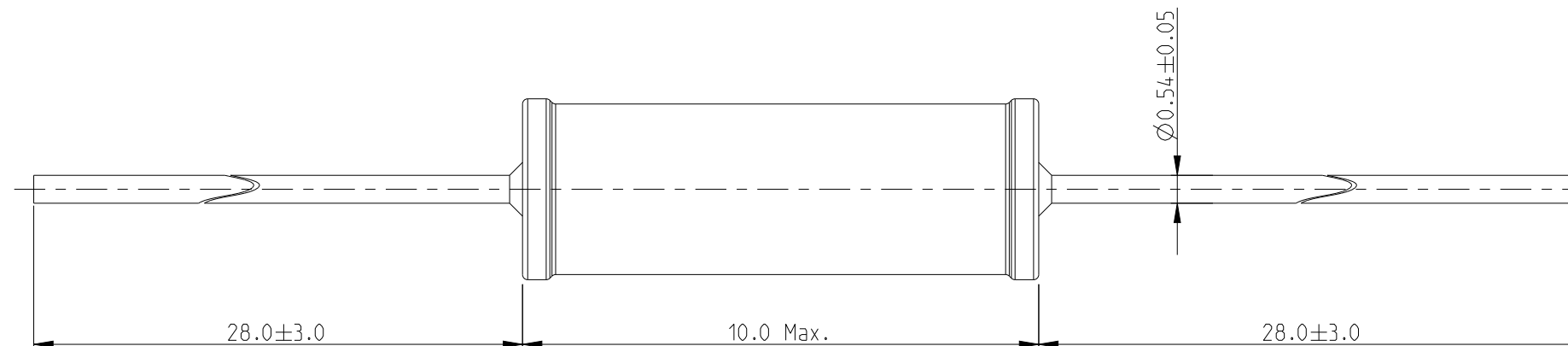
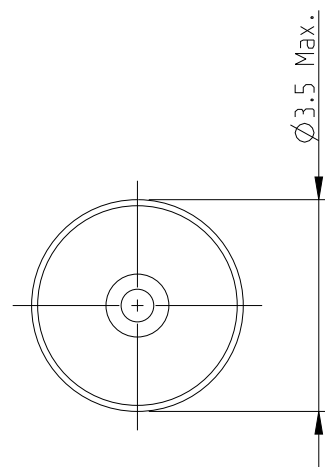


REVISIONS

P	LTR	DESCRIPTION	DATE	DWN	APVD
	BA	NEW RELEASE	23-MAR-10	MRS	St.P
	BB	CLARIFICATION OF DIMENSIONS	18JAN2023	DM	AP

FOR FURTHER INFORMATION SEE DATA SHEET FOR SERIES LR, METAL FILM FIXED RESISTORS



RoHS Compliant

THIS DRAWING IS A CONTROLLED DOCUMENT.

DWN 23-MAR-10 MAHARUDRA

CHK 23-MAR-10 ALLAN.P

APVD 23-MAR-10 STEPHEN.P

PRODUCT SPEC -

APPLICATION SPEC -

WEIGHT -

CUSTOMER DRAWING

NAME METAL FILM FIXED RESISTORS SERIES LR2



SIZE CAGE CODE DRAWING NO RESTRICTED TO

A3 00779 C=1622742 -

SCALE 8:1 SHEET 1 OF 1 REV BB

DIMENSIONS:	TOLERANCES UNLESS OTHERWISE SPECIFIED:
mm	
	0 PLC ±0.2
	1 PLC ±0.1
	2 PLC ±
	3 PLC ±
	4 PLC ±
ANGLES	±5°
MATERIAL	FINISH
-	-