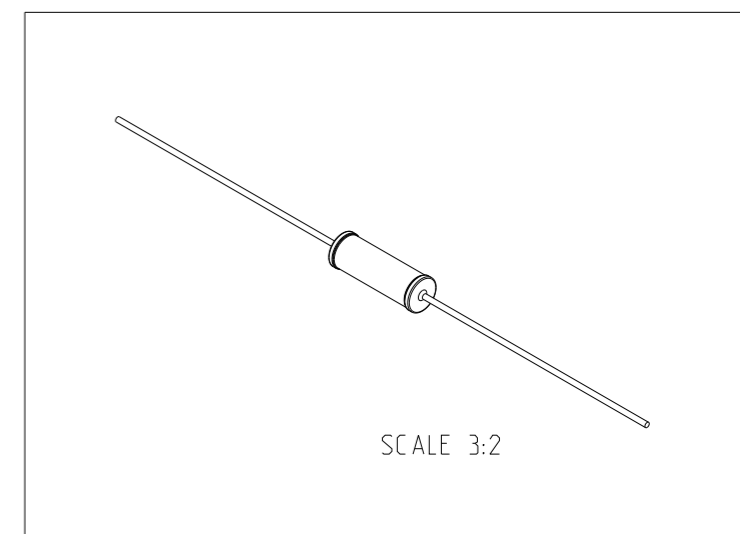
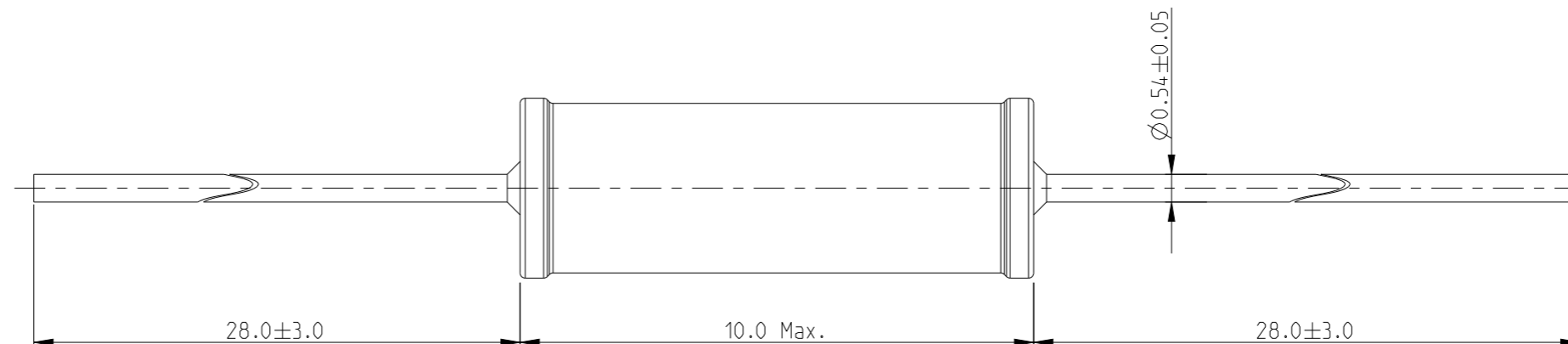
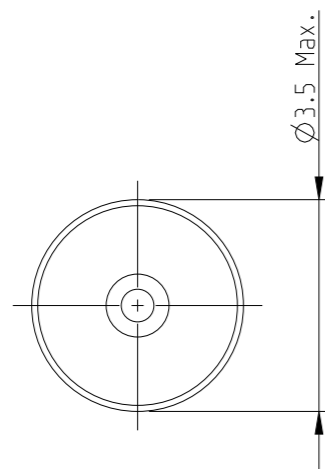


REVISIONS

P	LTR	DESCRIPTION	DATE	DWN	APVD
	BA	NEW RELEASE	23-MAR-10	MRS	St.P
	BB	CLARIFICATION OF DIMENSIONS	18JAN2023	DM	AP

FOR FURTHER INFORMATION SEE DATA SHEET FOR SERIES LR, METAL FILM FIXED RESISTORS



RoHS Compliant

THIS DRAWING IS A CONTROLLED DOCUMENT.		DWN MAHARUDRA 23-MAR-10		
		CHK ALLAN.P 23-MAR-10		
		APVD STEPHEN.P 23-MAR-10	NAME METAL FILM FIXED RESISTORS SERIES LR2	
DIMENSIONS: mm		PRODUCT SPEC -	RESTRICTED TO -	
TOLERANCES UNLESS OTHERWISE SPECIFIED:		APPLICATION SPEC -	SIZE A3	CAGE CODE 00779
0 PLC $\pm 0.2$		WEIGHT -	DRAWING NO C-1622756	SCALE 8:1
1 PLC $\pm 0.1$		SHEET 1 OF 1		
2 PLC $\pm$		REV BB		
3 PLC $\pm$		CUSTOMER DRAWING		
4 PLC $\pm$				
ANGLES $\pm 5^\circ$				
MATERIAL -				
FINISH -				