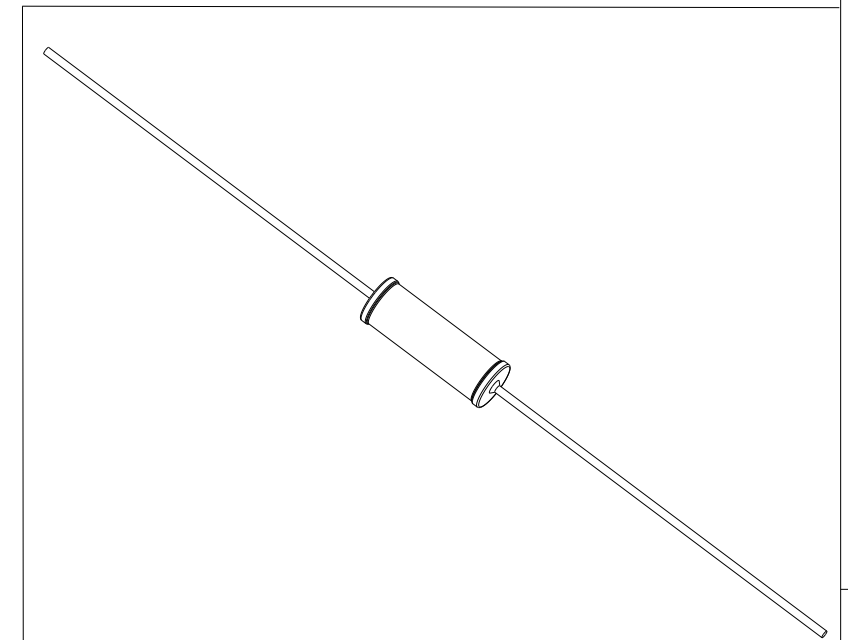
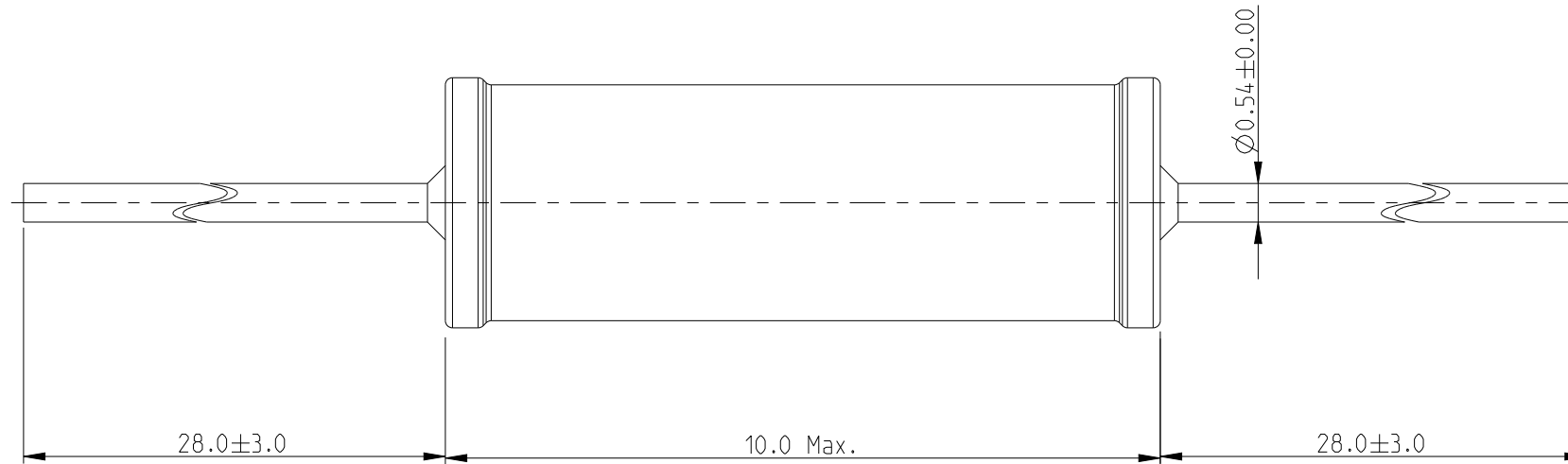
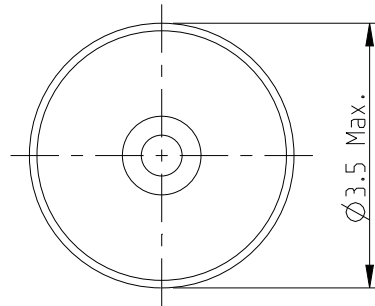


REVISIONS

P	LTR	DESCRIPTION	DATE	DWN	APVD
	BA	NEW RELEASE	06JULY2010	PT	St.P
	BB	CLARIFICATION OF DIMENSIONS	18JAN2023	DM	AP

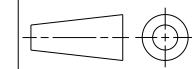
FOR FURTHER INFORMATION SEE DATA SHEET FOR SERIES LR, METAL FILM FIXED RESISTORS



RoHS Compliant

THIS DRAWING IS A CONTROLLED DOCUMENT.

DIMENSIONS:
mm



MATERIAL

TOLERANCES UNLESS OTHERWISE SPECIFIED:

- 0 PLC ± 0.2
- 1 PLC ± 0.1
- 2 PLC \pm
- 3 PLC \pm
- 4 PLC \pm
- ANGLES $\pm 5^\circ$
- FINISH -

DWN 06JULY2010
PARUSURAM.T

CHK 06JULY2010
ALLAN.P

APVD 06JULY2010
STEPHEN.P

PRODUCT SPEC

APPLICATION SPEC

WEIGHT

CUSTOMER DRAWING

SCALE

SHEET

REV

NAME
METAL FILM FIXED RESISTORS
SERIES LR2

SIZE CAGE CODE DRAWING NO RESTRICTED TO

A3 00779 C=1622767 -

SCALE 10:1 SHEET 1 OF 1

REV BB

