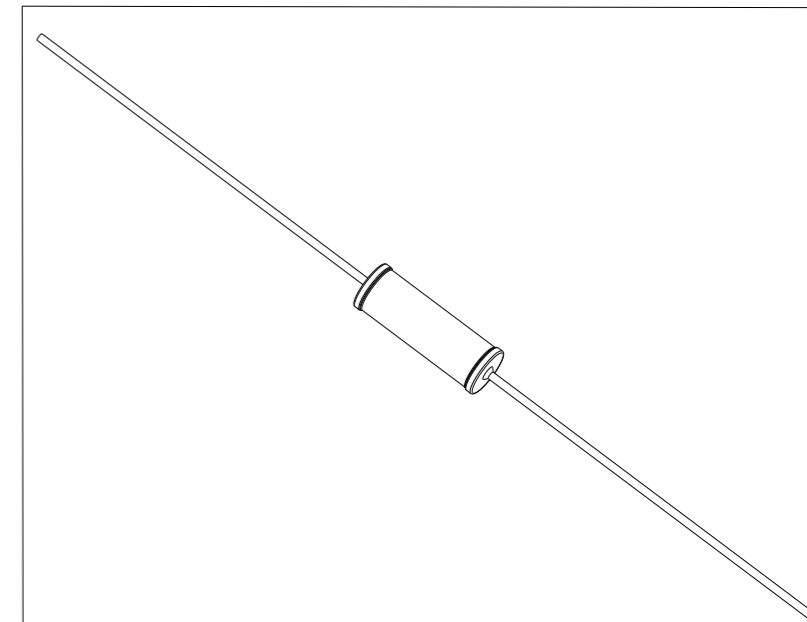
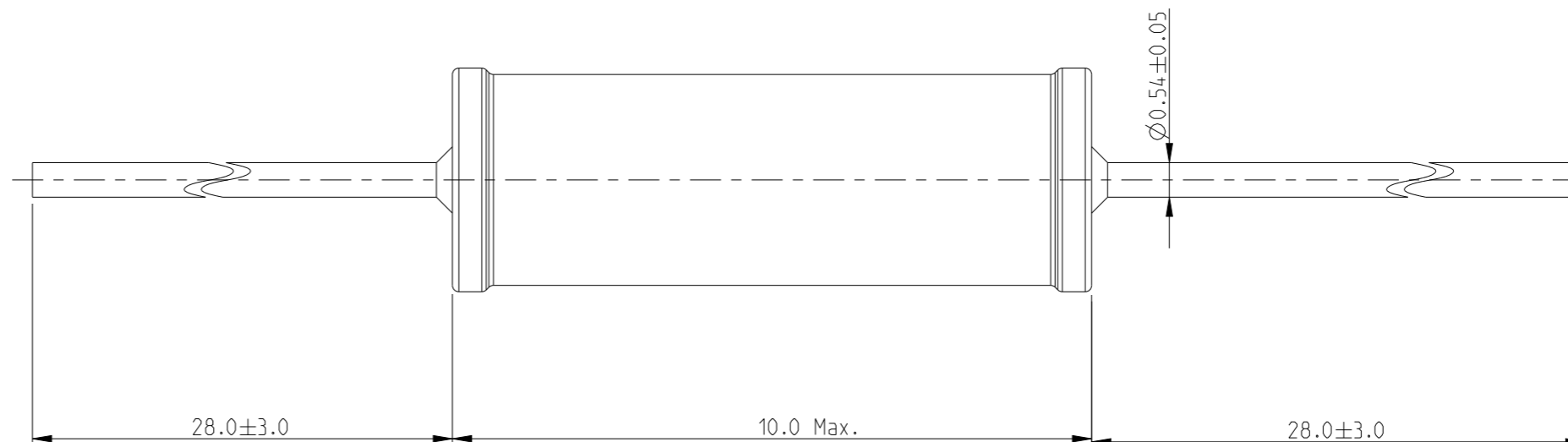
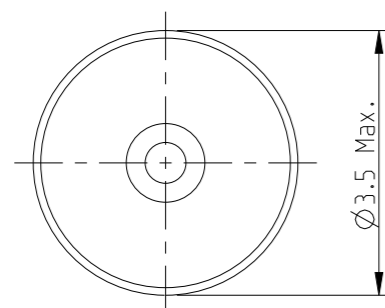


REVISIONS

P	LTR	DESCRIPTION	DATE	DWN	APVD
	BA	NEW RELEASE	06JULY2010	PT	St.P
	BB	CLARIFICATION OF DIMENSIONS	18JAN2023	DM	AP

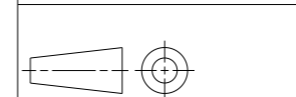
FOR FURTHER INFORMATION SEE DATA SHEET FOR SERIES LR, METAL FILM FIXED RESISTORS



RoHS Compliant

THIS DRAWING IS A CONTROLLED DOCUMENT.

DIMENSIONS: mm



MATERIAL -

TOLERANCES UNLESS OTHERWISE SPECIFIED:

0 PLC	$\pm 0.2$
1 PLC	$\pm 0.1$
2 PLC	$\pm$
3 PLC	$\pm$
4 PLC	$\pm$
ANGLES	$\pm 5^\circ$
FINISH	-

DWN	06 JULY 2010
CHK	06 JULY 2010
APVD	06 JULY 2010
PRODUCT SPEC	STEPHEN.P
APPLICATION SPEC	-
WEIGHT	-

**STE** TE Connectivity

NAME METAL FILM FIXED RESISTORS SERIES LR2

SIZE	CAGE CODE	DRAWING NO	RESTRICTED TO
A3	00779	C=1622775	-