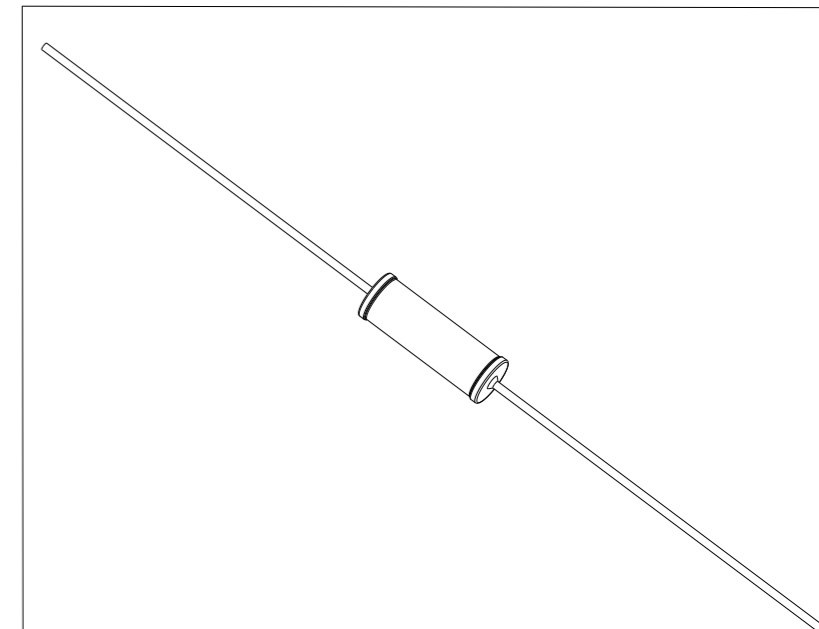
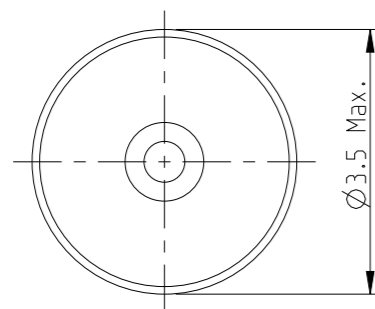


REVISIONS

P	LTR	DESCRIPTION	DATE	DWN	APVD
	BA	NEW RELEASE	07JULY2010	PT	St.P
	BB	CLARIFICATION OF DIMENSIONS	18JAN2023	DM	AP

FOR FURTHER INFORMATION SEE DATA SHEET FOR SERIES LR, METAL FILM FIXED RESISTORS



RoHS Compliant

THIS DRAWING IS A CONTROLLED DOCUMENT.	
DIMENSIONS: mm	TOLERANCES UNLESS OTHERWISE SPECIFIED:
	0 PLC ±0.2 1 PLC ±0.1 2 PLC ± 3 PLC ± 4 PLC ± ANGLES ±5°
MATERIAL	FINISH
-	-

DWN	07 JULY 2010
CHK	07 JULY 2010
APVD	07 JULY 2010
PRODUCT SPEC	-
APPLICATION SPEC	-
WEIGHT	-
CUSTOMER DRAWING	

		NAME	
		METAL FILM FIXED RESISTORS SERIES LR2	
SIZE	CAGE CODE	DRAWING NO	RESTRICTED TO
A3	00779	C=1622784	-
SCALE		SHEET	REV
10:1		1 OF 1	BB