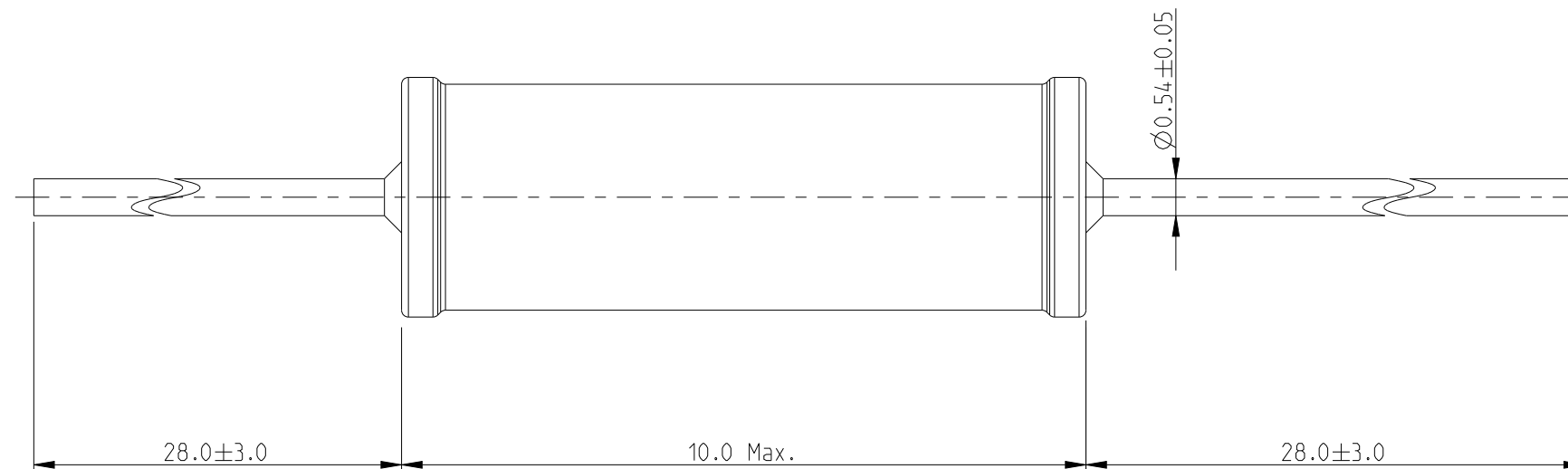
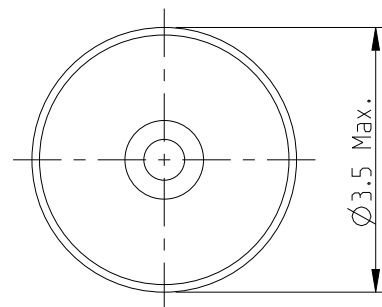


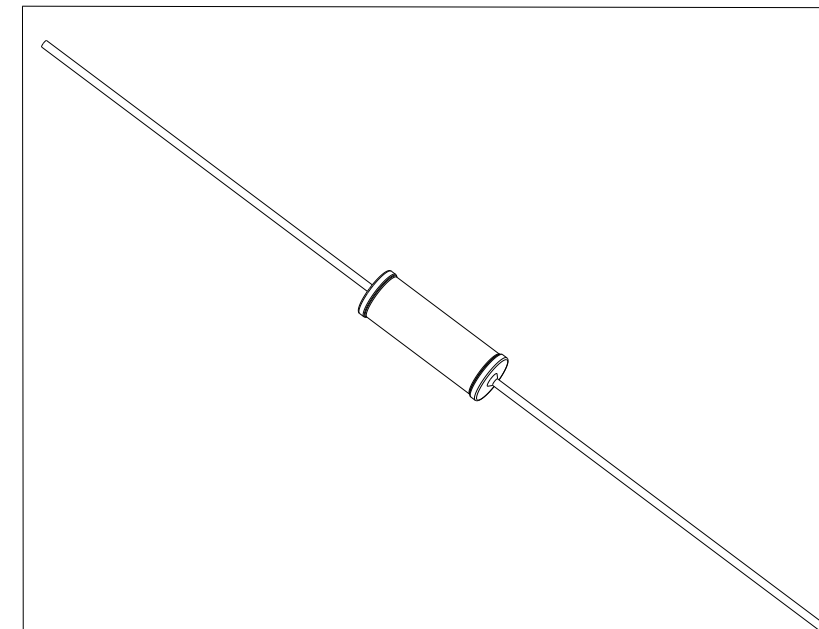
REVISIONS

P	LTR	DESCRIPTION	DATE	DWN	APVD
	BA	NEW RELEASE	07 JULY 2010	PT	St.P
	BB	CLARIFICATION OF DIMENSIONS	18 JAN 2023	DM	AP

FOR FURTHER INFORMATION SEE DATA SHEET FOR SERIES LR, METAL FILM FIXED RESISTORS



RoHS Compliant



THIS DRAWING IS A CONTROLLED DOCUMENT.		DWN PARUSURAM.T 07 JULY 2010															
		CHK ALLAN.P 07 JULY 2010															
		APVD STEPHEN.P 07 JULY 2010	NAME METAL FILM FIXED RESISTORS SERIES LR2														
DIMENSIONS: mm		PRODUCT SPEC -	APPLICATION SPEC -														
TOLERANCES UNLESS OTHERWISE SPECIFIED:		RESTRICTED TO -															
<table border="0"> <tr><td>0 PLC</td><td><math>\pm 0.2</math></td></tr> <tr><td>1 PLC</td><td><math>\pm 0.1</math></td></tr> <tr><td>2 PLC</td><td><math>\pm</math></td></tr> <tr><td>3 PLC</td><td><math>\pm</math></td></tr> <tr><td>4 PLC</td><td><math>\pm</math></td></tr> <tr><td>ANGLES</td><td><math>\pm 5^\circ</math></td></tr> </table>		0 PLC	$\pm 0.2$	1 PLC	$\pm 0.1$	2 PLC	$\pm$	3 PLC	$\pm$	4 PLC	$\pm$	ANGLES	$\pm 5^\circ$	WEIGHT -	SIZE A3	CAGE CODE 00779	DRAWING NO C=1622792
0 PLC	$\pm 0.2$																
1 PLC	$\pm 0.1$																
2 PLC	$\pm$																
3 PLC	$\pm$																
4 PLC	$\pm$																
ANGLES	$\pm 5^\circ$																
MATERIAL -		SCALE 10:1															
		SHEET 1 OF 1		REV BB													
		CUSTOMER DRAWING															