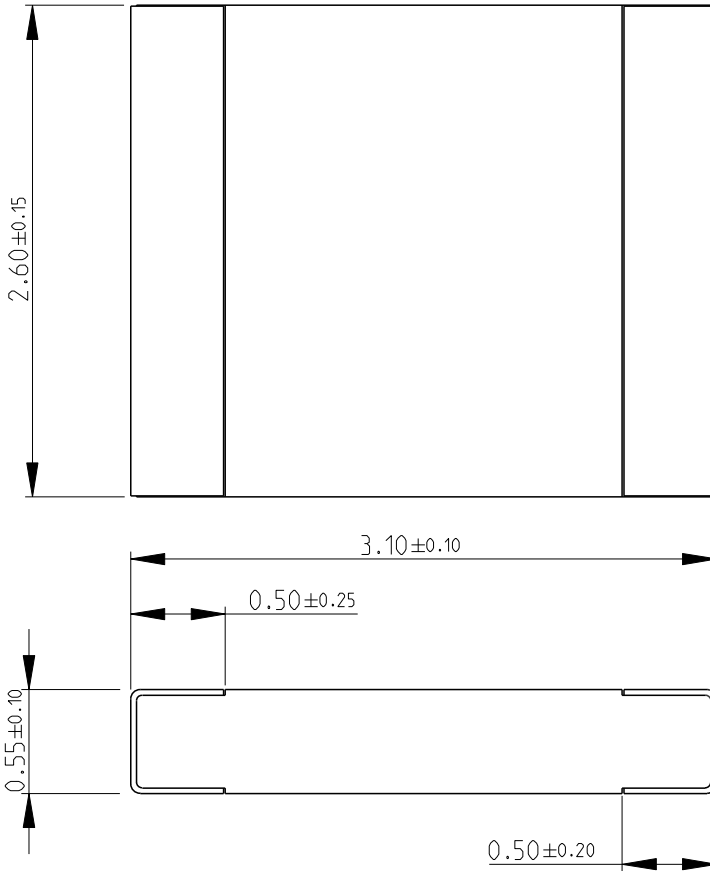
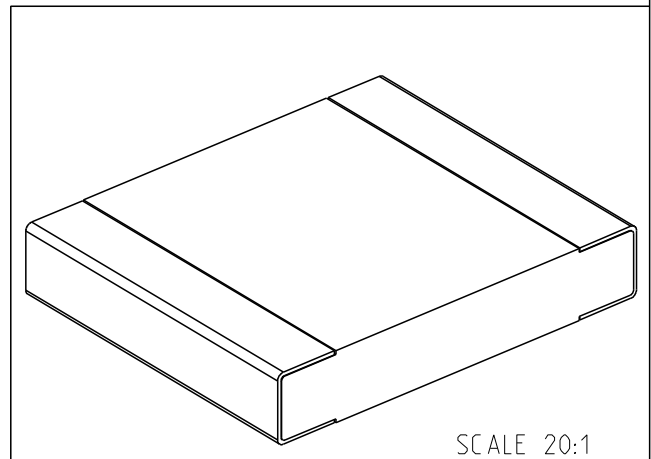


LOC	DIST	REVISIONS					
E	B	P	LTR	DESCRIPTION	DATE	DWN	APVD
		BB2	ECR-11-023642		21NOV2011	PSK	JC

FOR FURTHER INFORMATION SEE DATA SHEET FOR
CRG SERIES-THICK FILM CHIP RESISTORS



RoHS Compliant



2009

RELEASED FOR PUBLICATION

ALL RIGHTS RESERVED.

THIS DRAWING IS UNPUBLISHED.

© COPYRIGHT 2009

DIMENSIONS: mm	DWN MAHARUDRA	31-DEC-09	MATERIAL	-	FINISH	-
	CHK ALLAN.P	31-DEC-09				
TOLERANCES UNLESS OTHERWISE SPECIFIED:	APVD STEPHEN.P	31-DEC-09				
0 PLC ±0.5	PRODUCT SPEC	-	NAME THICK FILM CHIP RESISTORS SERIES CRG 1210			
1 PLC ±0.2	APPLICATION SPEC	-	SIZE	CAGE CODE	DRAWING NO	RESTRICTED TO
2 PLC ±0.1	-	-	A 4	00779	©=1623694	-
3 PLC ±	WEIGHT	-	CUSTOMER DRAWING			
4 PLC ±	-	-	SCALE	25:1	SHEET	1 OF 1
ANGLES ±5°	-	-	REV BB2			

