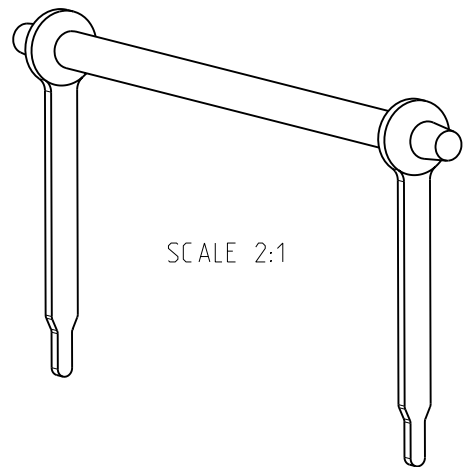
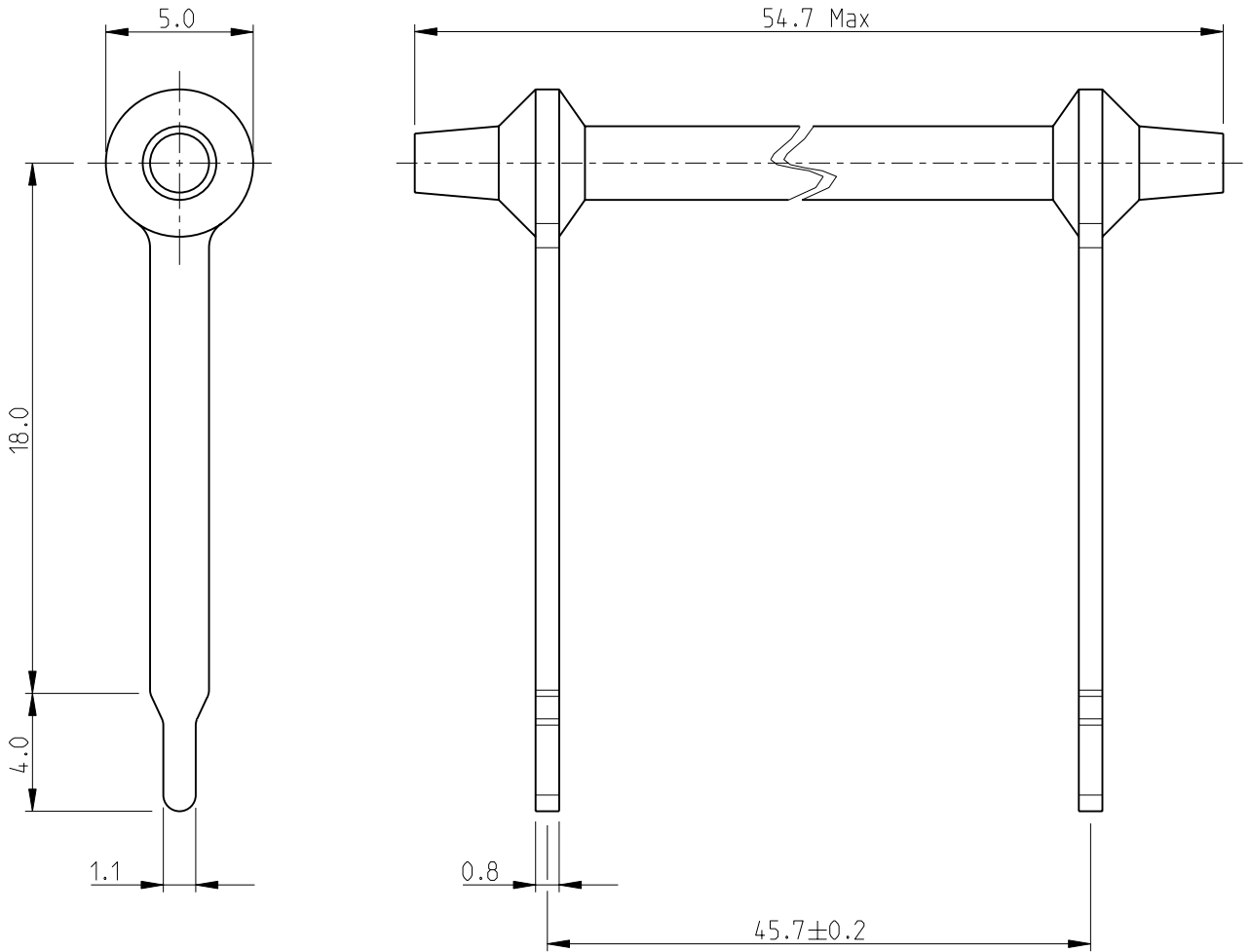


LOC	DIST	REVISIONS					
E	B	P	LTR	DESCRIPTION	DATE	DWN	APVD
		BB2	ECR-12-007074		17APR2012	KR	St.P



FOR FURTHER INFORMATION SEE DATA SHEET FOR SERIES FC- HIGH POWER RESISTORS

RoHS Compliant

2009


RELEASED FOR PUBLICATION

ALL RIGHTS RESERVED.

Tyco Electronics AMP GmbH

© COPYRIGHT 2009

THIS DRAWING IS UNPUBLISHED.

DIMENSIONS: mm	DWN	SUBHASH.M	05-AUG-09	MATERIAL	-	FINISH	-
	CHK	ALLAN.P	05-AUG-09	 TE Connectivity			
TOLERANCES UNLESS OTHERWISE SPECIFIED:	APVD	STEPHEN.P	05-AUG-09				
	0 PLC	±0.5	PRODUCT SPEC	SIZE	CAGE CODE	DRAWING NO	RESTRICTED TO
1 PLC	±0.2	APPLICATION SPEC	A 4	00779	©-1623712	-	
2 PLC	±0.1	WEIGHT	-	-	-	-	
3 PLC	±	CUSTOMER DRAWING	SCALE	4:1	SHEET	1 OF 1	REV
4 PLC	±						BB2
ANGLES	±5°						

