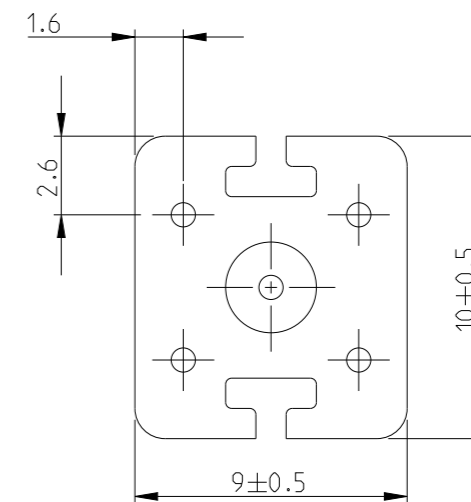
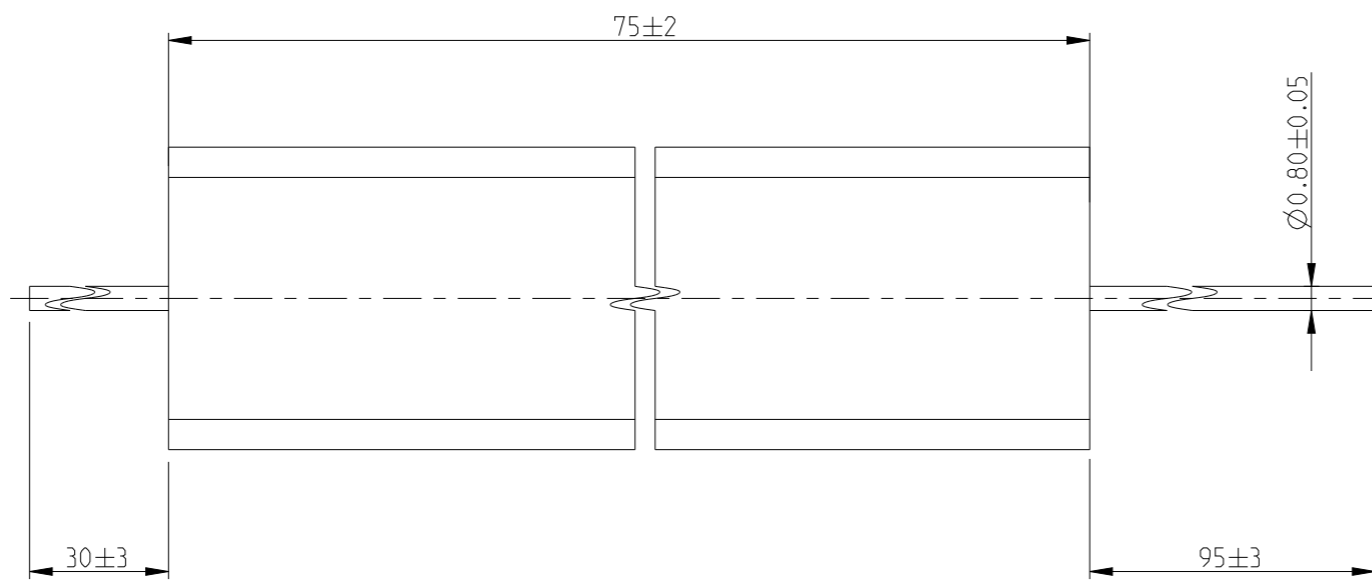


REVISIONS

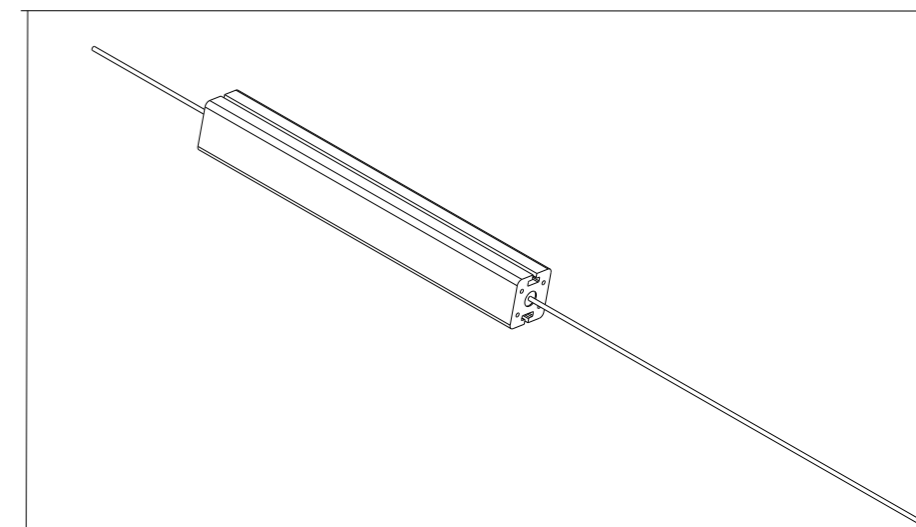
P	LTR	DESCRIPTION	DATE	DWN	APVD
	BA	NEW RELEASE	02AUG2010	PT	St.P
	BA1	CLARIFICATION NOTE ADDED	18APR2022	DM	AP
	BA2	DIMENSION TOLERANCE CORRECTION	03OCT2024	KA	RSS
	BA3	DIMENSION TOLERANCE CPRECTION	18NOV2024	RS	SSR



NOTES:

- FOR FURTHER INFORMATION SEE DATA SHEET FOR SERIES TYPE SBC(SQUARE CERAMIC), HIGH POWER RESISTORS
- THE HOLES AND FLUTES SHOWN IN THE CERAMIC CASING ARE PURELY FOR MOUNTING PURPOSES AND DO NOT IN ANY WAY AFFECT THE DISSIPATION CAPABILITIES OF THE RESISTOR. THEY CAN OFTEN BECOME BLOCKED DURING THE MANUFACTURING PROCESS. THIS WILL NOT AFFECT THE PERFORMANCE IN ANY WAY.

RoHS Compliant



THIS DRAWING IS A CONTROLLED DOCUMENT.		DWN 02AUG2010 PARUSURAM.T			
		CHK 02AUG2010 STEPHEN.P			
DIMENSIONS: mm		APVD 02AUG2010 STEPHEN.P	NAME HIGH POWER RESISTOR TYPE SBC (SQUARE CERAMIC) SERIES SBCHE15		
		PRODUCT SPEC -	RESTRICTED TO -		
TOLERANCES UNLESS OTHERWISE SPECIFIED:		APPLICATION SPEC -	SIZE A3	CAGE CODE 00779	DRAWING NO C=1623729
MATERIAL -		WEIGHT 15g	SCALE 4:1		SHEET 1 OF 1
FINISH -		CUSTOMER DRAWING	REV BA3		