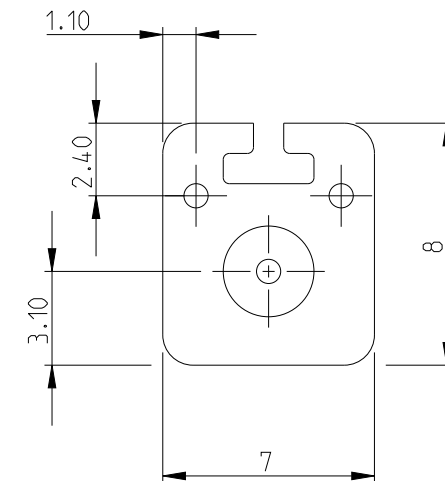
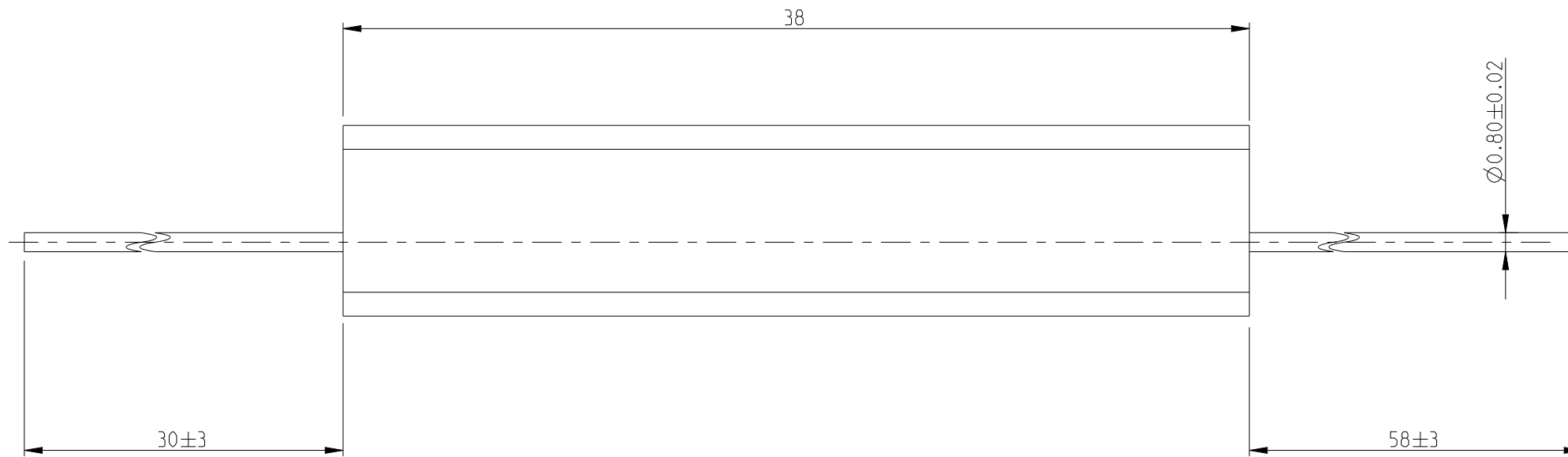


REVISIONS

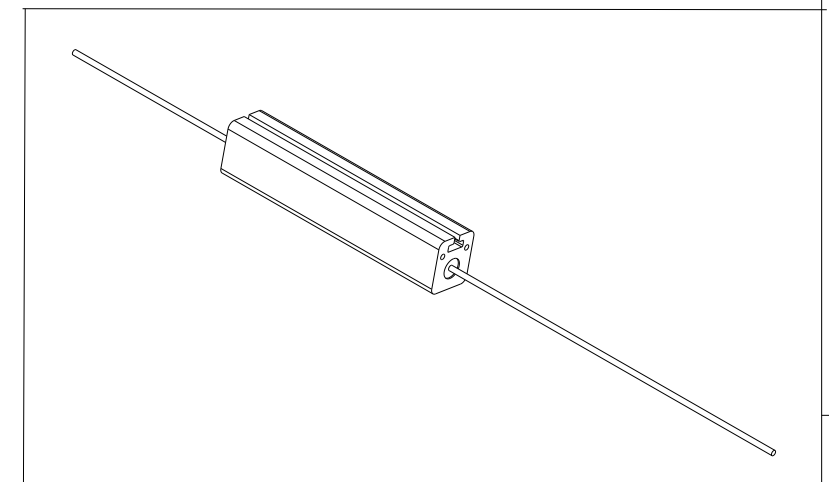
P	LTR	DESCRIPTION	DATE	DWN	APVD
	BA	NEW RELEASE	03AUG2010	PT	St.P
	BA1	CLARIFICATION NOTE ADDED	18APR2022	DM	AP



NOTES:

- FOR FURTHER INFORMATION SEE DATA SHEET FOR SERIES TYPE SBC(SQUARE CERAMIC), HIGH POWER RESISTORS
- THE HOLES AND FLUTES SHOWN IN THE CERAMIC CASING ARE PURELY FOR MOUNTING PURPOSES AND DO NOT IN ANY WAY AFFECT THE DISSIPATION CAPABILITIES OF THE RESISTOR. THEY CAN OFTEN BECOME BLOCKED DURING THE MANUFACTURING PROCESS. THIS WILL NOT AFFECT THE PERFORMANCE IN ANY WAY.

RoHS Compliant



THIS DRAWING IS A CONTROLLED DOCUMENT.		DWN 03AUG2010 PARUSURAM.T				
		CHK 03AUG2010 STEPHEN.P				
DIMENSIONS: mm		APVD 03AUG2010 STEPHEN.P	NAME HIGH POWER RESISTOR TYPE SBC (SQUARE CERAMIC) SERIES SBCHE6			
		PRODUCT SPEC -	APPLICATION SPEC -			
TOLERANCES UNLESS OTHERWISE SPECIFIED:		WEIGHT 5.0g	SIZE A3	CAGE CODE 00779	DRAWING NO C-1623732	RESTRICTED TO -
MATERIAL -		CUSTOMER DRAWING	SCALE 4:1	SHEET 1 OF 1	REV BA1	
FINISH -						