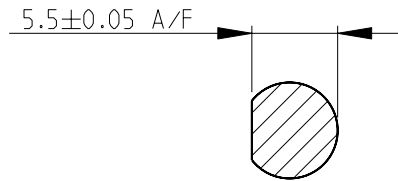
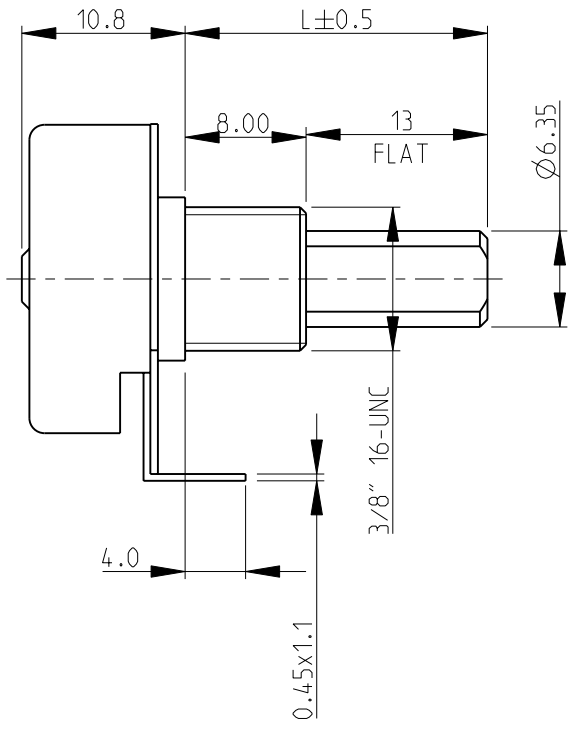
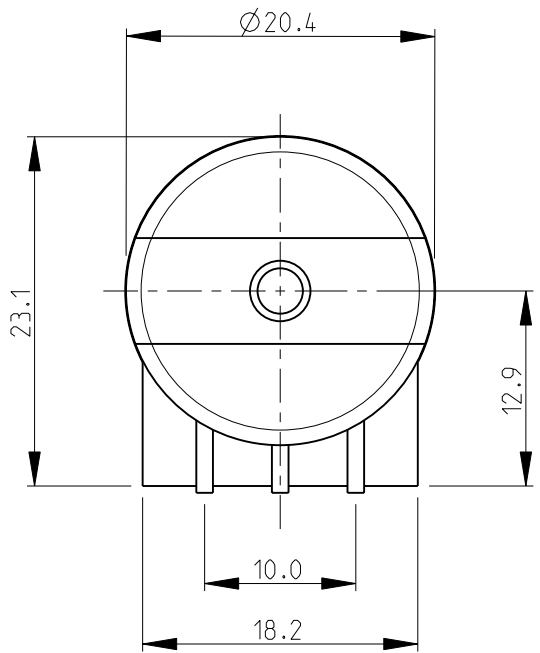


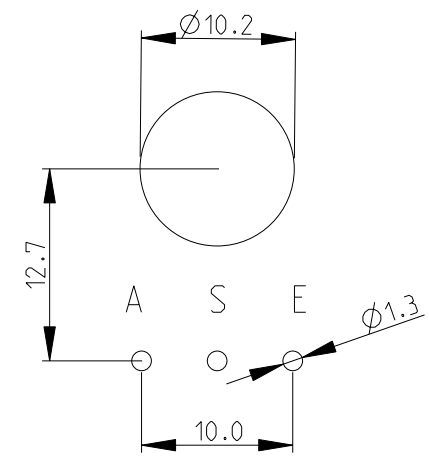
THIS DRAWING IS UNPUBLISHED. RELEASED FOR PUBLICATION 2008
 © COPYRIGHT 2008 BY TYCO ELECTRONICS CORPORATION. ALL RIGHTS RESERVED.

LOC	DIST	REVISIONS			
P	LTR	DESCRIPTION	DATE	DWN	APVD
E	B	BA	NEW RELEASE	20-JAN-09	SM St.P

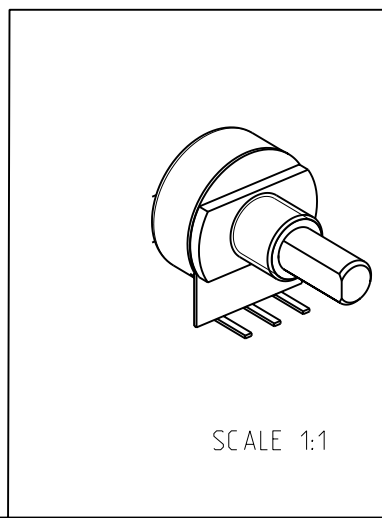
1 AVAILABLE IN DIFFERENT SHAFT LENGTHS (L) SEE DATA SHEET
 2 FOR FURTHER INFORMATION SEE DATA SHEET FOR
 23 SERIES-SPINDLE OPERATED POTENTIOMETER



PCB PEIRCING PLAN



RoHS Compliant



<small>THIS DRAWING IS A CONTROLLED DOCUMENT FOR TYCO ELECTRONICS CORPORATION IT IS SUBJECT TO CHANGE AND THE CONTROLLING ENGINEERING ORGANIZATION SHOULD BE CONTACTED FOR THE LATEST REVISION.</small>		DWN SUBHASH.M 20-JAN-09 CHK PRAKASH.S 20-JAN-09 APVD STEPHEN.P 20-JAN-09	Tyco Electronics Corporation Dorcan, Swindon, SN3 5HH
DIMENSIONS: mm	TOLERANCES UNLESS OTHERWISE SPECIFIED: 0 PLC ±0.2 1 PLC ±0.1 2 PLC ± 3 PLC ± 4 PLC ± ANGLES ±5°	PRODUCT SPEC - APPLICATION SPEC - WEIGHT -	NAME SPINDLE OPERATED POTENTIOMETER SERIES 23 (TYPE 28)
MATERIAL -	FINISH -	SIZE A3 CAGE CODE 00779 DRAWING NO C=1624188	RESTRICTED TO -
CUSTOMER DRAWING		SCALE 2:1	SHEET 1 OF 1 REV BA