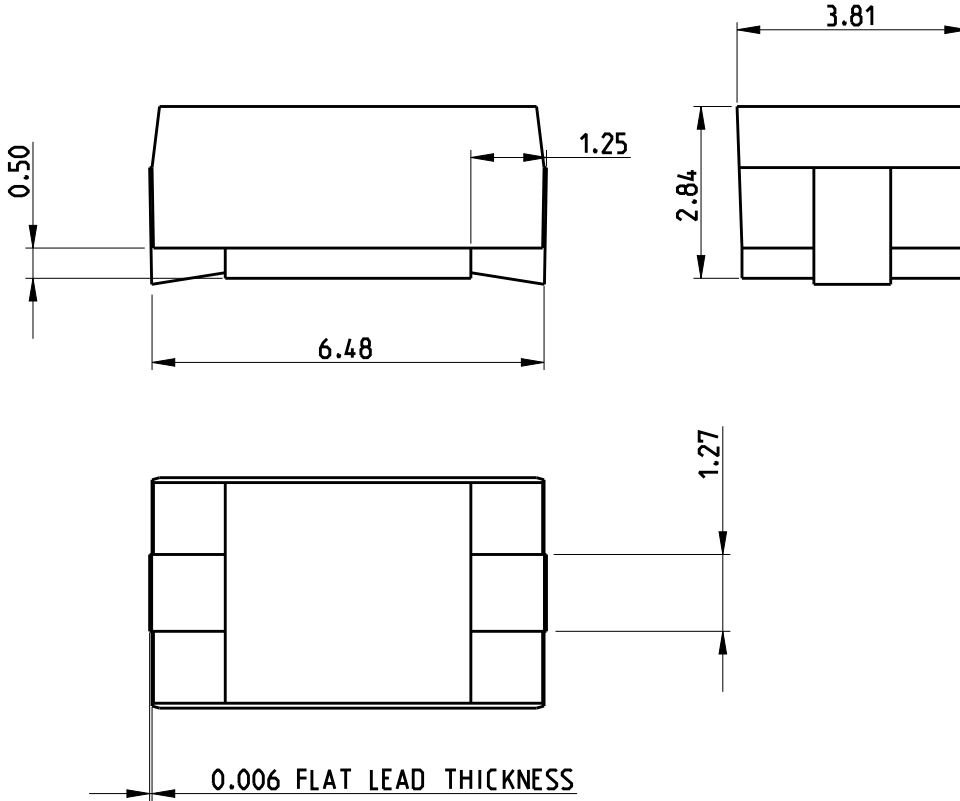
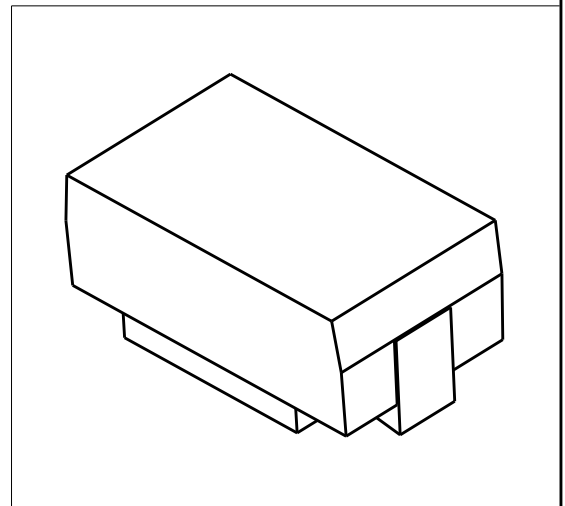
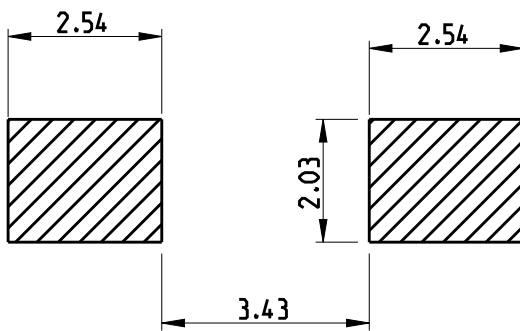


LOC	DIST	REVISIONS					
E	B	P	LTR	DESCRIPTION	DATE	DWN	APVD
			BA	NEW RELEASE	06JUL2012	KR	TN

FOR FURTHER INFORMATION SEE DATA SHEET FOR SERIES S - SMD MOULDED POWER RESISTOR



RECOMMENDED LAND PATTERN



20


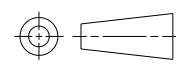
RELEASED FOR PUBLICATION

ALL RIGHTS RESERVED.

THIS DRAWING IS UNPUBLISHED.

BY -

© COPYRIGHT 20

DIMENSIONS:		DWN	06JUL2012	MATERIAL	FINISH	
mm		RAGHAVENDRA K		-	-	
TOLERANCES UNLESS OTHERWISE SPECIFIED:		CHK	06JUL2012	 TE Connectivity		
0 PLC ±0.2		ALLAN.P				
1 PLC ±0.1		APVD	06JUL2012	NAME		
2 PLC ±		TONY N		SMD MOULDED POWER RESISTOR		
3 PLC ±		PRODUCT SPEC		SERIES SP1		
4 PLC ±		-		SIZE	CAGE CODE	DRAWING NO
ANGLES 5°		APPLICATION SPEC		A 4	00779	C-1624292
		WEIGHT	-	RESTRICTED TO		-
CUSTOMER DRAWING				SCALE	8:1	SHEET 1 OF 1
				REV		BA