

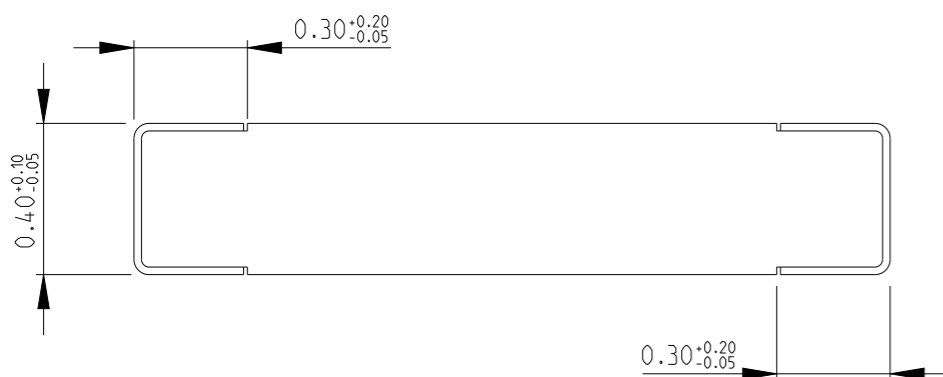
REVISIONS

P	LTR	DESCRIPTION	DATE	DWN	APVD
	BA	NEW RELEASE	15SEP2010	PT	St.P
	BA1	SCHEDULE ADDED TO DRAWING	12APR2024	DM	AP

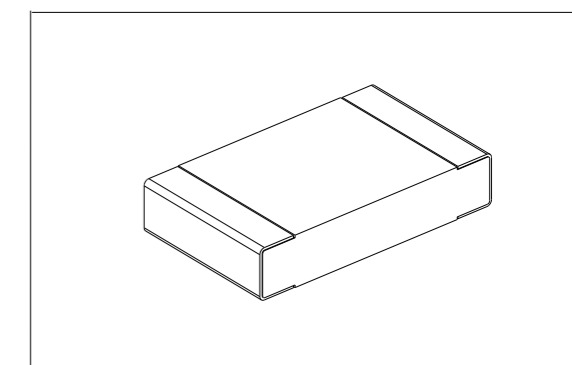
FOR FURTHER INFORMATION SEE DATA SHEET FOR RH73 SERIES-SMD HIGH VALUE RESISTORS



STYLE	L	W
RH73 2A	2 ^{+0.15} _{-0.05}	1.2 ^{+0.20} _{-0.05}
RH73 2B	3.2 ^{+0.15} _{-0.05}	1.5 ^{+0.20} _{-0.05}



RoHS Compliant



THIS DRAWING IS A CONTROLLED DOCUMENT.		DWN PARUSURAM	15SEP2010		
		CHK ALLAN.P	15SEP2010		
		APVD STEPHEN.P	15SEP2010	NAME SMD HIGH VALUE RESISTORS TYPE RH73 SERIES	
DIMENSIONS: mm		TOLERANCES UNLESS OTHERWISE SPECIFIED:		PRODUCT SPEC -	
		0 PLC	±0.2	APPLICATION SPEC -	
		1 PLC	±0.1	WEIGHT -	
MATERIAL -		2 PLC	±	SIZE A3	
		3 PLC	±	CAGE CODE 00779	
		4 PLC	±	DRAWING NO C=1625862	
		ANGLES	±5°	RESTRICTED TO -	
		FINISH	-	SCALE 50:1	
			-	SHEET 1 OF 2	
			-	REV BA1	
CUSTOMER DRAWING					

REVISIONS

P	LTR	DESCRIPTION	DATE	DWN	APVD
-		SEE SHEET 1	-	-	-

SCHEDULE

TCPN	CATALOGUE NUMBER	PART DESCRIPTION	PART STATUS
1625862-1	RH73X2A10GNTN	RH73 2A 10G 30% 1000PPM 1K RL	PRODUCTION
1625862-2	RH73X2A20GNTN	RH73 2A 20G 30% 1000PPM 1K RL	PRODUCTION
1625862-3	RH73X2A33GKTN	RH73 2A 33G 10% 1000PPM 1K RL	PRODUCTION
1625862-4	RH73X2A50GNTN	RH73 2A 50G 30% 1000PPM 1K RL	PRODUCTION
1625862-5	RH73X2B10GJTN	RH73 2B 10G 5% 1000PPM	DISCONTINUED
1625862-6	RH73X2B2G0KTN	RH73 2B 2G0 10% 1000PPM	DISCONTINUED
1625862-7	1625862-7	RH73 2B 5G0 10% 1000PPM	SUPERSEDED
1625862-8	RH73X2B10GKTN	RH73 2B 10G 10% 1000PPM 1K RL	PRODUCTION
1625862-9	RH73W 2B430MJTD	RH73 2B 430M 5% 500PPM 5K RL	PRODUCTION
1-1625862-0	RH73X2A1G5MTN	RH73 2A 1G5 20% 1000PPM 1K RL	PRODUCTION
1-1625862-1	RH73X2B5G0KTN	RH73 2B 5G0 10% 1000PPM	PRODUCTION

THIS DRAWING IS A CONTROLLED DOCUMENT.

DWN PARUSURAM 15SEP2010

CHK ALLAN.P 15SEP2010

APVD STEPHEN.P 15SEP2010

PRODUCT SPEC -

APPLICATION SPEC -

WEIGHT -

CUSTOMER DRAWING



TE Connectivity

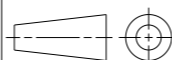
NAME SMD HIGH VALUE RESISTORS TYPE RH73 SERIES

SIZE CAGE CODE DRAWING NO RESTRICTED TO

A3 00779 C-1625862

SCALE 50:1 SHEET 2 OF 2 REV BA1

DIMENSIONS: mm



TOLERANCES UNLESS OTHERWISE SPECIFIED:

- 0 PLC ±0.2
- 1 PLC ±0.1
- 2 PLC ±-
- 3 PLC ±-
- 4 PLC ±-
- ANGLES ±5°

MATERIAL FINISH

- -