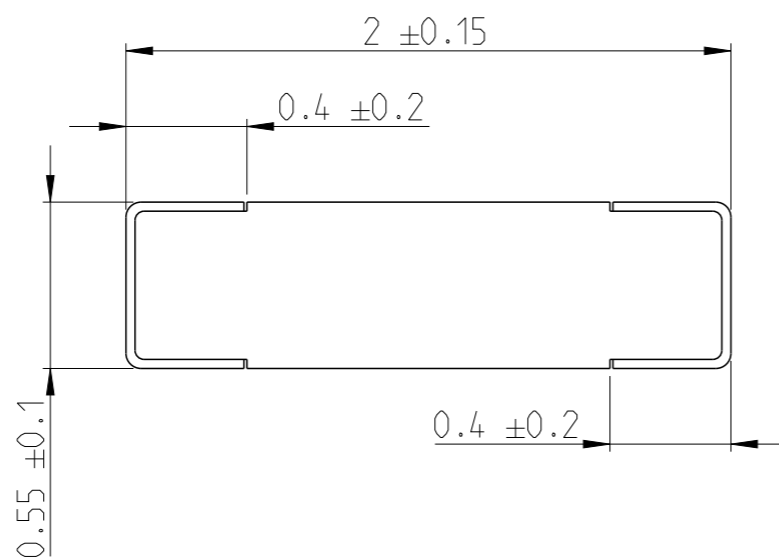


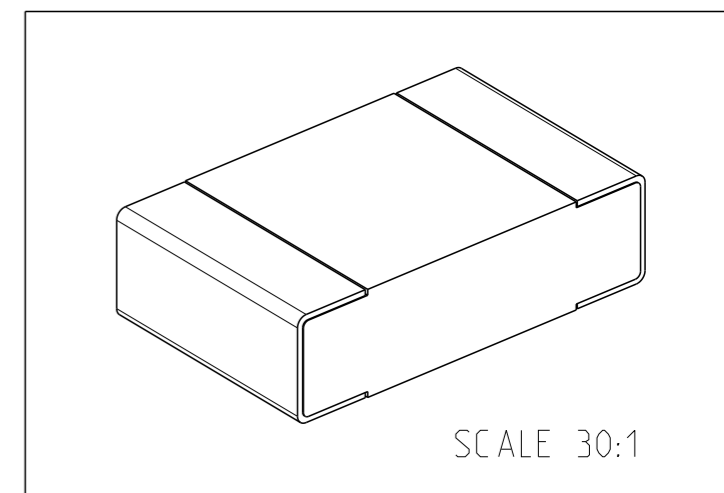
REVISIONS

P	LTR	DESCRIPTION	DATE	DWN	APVD
	BB	NEW RELEASE	15DEC2021	DM	AP

FOR FURTHER INFORMATION SEE DATA SHEET FOR CRG SERIES-THICK FILM CHIP RESISTORS



RoHS Compliant



THIS DRAWING IS A CONTROLLED DOCUMENT.

DWN DHEERAJ M 15DEC2021

CHK ALLAN P 15DEC2021

APVD ALLAN P 15DEC2021

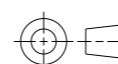


TE Connectivity

NAME RESISTOR LAB KIT TYPE CRG0805 SERIES

DIMENSIONS: mm

TOLERANCES UNLESS OTHERWISE SPECIFIED:



- 0 PLC ± 0.5
- 1 PLC ± 0.2
- 2 PLC ± 0.1
- 3 PLC ± -
- 4 PLC ± -
- ANGLES ± 5°

MATERIAL

FINISH

PRODUCT SPEC

APPLICATION SPEC

WEIGHT

SIZE CAGE CODE DRAWING NO RESTRICTED TO

A3 00779 C-1625873-5

CUSTOMER DRAWING


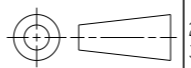
SCALE 40:1 SHEET 1 OF 3 REV BB

REVISIONS

P	LTR	DESCRIPTION	DATE	DWN	APVD
	-	SEE SHEET 1	-	-	-

Part Number	Product Number	Description	Qty / Kit
1623401-1	CRG0805ZR	CRG0805 ZEROHM	100
1623100-1	CRG0805F10R	CRG0805 1% 10R	100
1623105-1	CRG0805F11R	CRG0805 1% 11R	100
1623109-1	CRG0805F12R	CRG0805 1% 12R	100
1623114-1	CRG0805F13R	CRG0805 1% 13R	100
1623119-1	CRG0805F15R	CRG0805 1% 15R	100
1623124-1	CRG0805F16R	CRG0805 1% 16R	100
1623129-1	CRG0805F18R	CRG0805 1% 18R	100
1623150-1	CRG0805F20R	CRG0805 1% 20R	100
1623158-1	CRG0805F22R	CRG0805 1% 22R	100
1623165-1	CRG0805F24R	CRG0805 1% 24R	100
1623171-1	CRG0805F27R	CRG0805 1% 27R	100
1623192-1	CRG0805F30R	CRG0805 1% 30R	100
1623198-1	CRG0805F33R	CRG0805 1% 33R	100
1623204-1	CRG0805F36R	CRG0805 1% 36R	100
1623211-1	CRG0805F39R	CRG0805 1% 39R	100
1623227-1	CRG0805F43R	CRG0805 1% 43R	100
1623235-1	CRG0805F47R	CRG0805 1% 47R	100
1623246-1	CRG0805F51R	CRG0805 1% 51R	100
1623256-1	CRG0805F56R	CRG0805 1% 56R	100
1623268-1	CRG0805F62R	CRG0805 1% 62R	100
1623274-1	CRG0805F68R	CRG0805 1% 68R	100
1623283-1	CRG0805F75R	CRG0805 1% 75R	100
1623291-1	CRG0805F82R	CRG0805 1% 82R	100
1623299-1	CRG0805F91R	CRG0805 1% 91R	100
1623096-1	CRG0805F100R	CRG0805 1% 100R	100
1623102-1	CRG0805F110R	CRG0805 1% 110R	100
1623107-1	CRG0805F120R	CRG0805 1% 120R	100
1623111-1	CRG0805F130R	CRG0805 1% 130R	100
1623117-1	CRG0805F150R	CRG0805 1% 150R	100

Part Number	Product Number	Description	Qty / Kit
1623121-1	CRG0805F160R	CRG0805 1% 160R	100
1623127-1	CRG0805F180R	CRG0805 1% 180R	100
1623148-1	CRG0805F200R	CRG0805 1% 200R	100
1623156-1	CRG0805F220R	CRG0805 1% 220R	100
1623161-1	CRG0805F240R	CRG0805 1% 240R	100
1623169-1	CRG0805F270R	CRG0805 1% 270R	100
1623188-1	CRG0805F300R	CRG0805 1% 300R	100
1623195-1	CRG0805F330R	CRG0805 1% 330R	100
1623202-1	CRG0805F360R	CRG0805 1% 360R	100
1623208-1	CRG0805F390R	CRG0805 1% 390R	100
1623225-1	CRG0805F430R	CRG0805 1% 430R	100
1623232-1	CRG0805F470R	CRG0805 1% 470R	100
1623243-1	CRG0805F510R	CRG0805 1% 510R	100
1623252-1	CRG0805F560R	CRG0805 1% 560R	100
1623266-1	CRG0805F620R	CRG0805 1% 620R	100
1623271-1	CRG0805F680R	CRG0805 1% 680R	100
1623281-1	CRG0805F750R	CRG0805 1% 750R	100
1623289-1	CRG0805F820R	CRG0805 1% 820R	100
1623297-1	CRG0805F910R	CRG0805 1% 910R	100
1623131-1	CRG0805F1K0	CRG0805 1% 1K0	100
1623132-1	CRG0805F1K1	CRG0805 1% 1K1	100
1623133-1	CRG0805F1K2	CRG0805 1% 1K2	100
1623135-1	CRG0805F1K3	CRG0805 1% 1K3	100
1623137-1	CRG0805F1K5	CRG0805 1% 1K5	100
1623138-1	CRG0805F1K6	CRG0805 1% 1K6	100
1623140-1	CRG0805F1K8	CRG0805 1% 1K8	100
1623173-1	CRG0805F2K0	CRG0805 1% 2K0	100
1623174-1	CRG0805F2K2	CRG0805 1% 2K2	100
1623179-1	CRG0805F2K4	CRG0805 1% 2K4	100
1623181-1	CRG0805F2K7	CRG0805 1% 2K7	100
1623212-1	CRG0805F3K0	CRG0805 1% 3K0	100


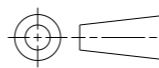
THIS DRAWING IS A CONTROLLED DOCUMENT.		DWN DHEERAJ M 15DEC 2021	 TE Connectivity	
DIMENSIONS: mm		CHK ALLAN P 15DEC 2021		
		APVD ALLAN P 15DEC 2021	NAME RESISTOR LAB KIT TYPE CRG0805 SERIES	
TOLERANCES UNLESS OTHERWISE SPECIFIED:		PRODUCT SPEC	RESTRICTED TO	
0 PLC ± 0.5		APPLICATION SPEC	SIZE A3	CAGE CODE 00779
1 PLC ± 0.2		WEIGHT	DRAWING NO C=1625873-5	SCALE 40:1
2 PLC ± 0.1		CUSTOMER DRAWING	SHEET 2 OF 3	REV BB
3 PLC ± -				
4 PLC ± -				
ANGLES ± 5°				
FINISH				
MATERIAL				

REVISIONS

P	LTR	DESCRIPTION	DATE	DWN	APVD
	-	SEE SHEET 1	-	-	-

Part Number	Product Number	Description	Qty / Kit
1623214-1	CRG0805F3K3	CRG0805 1% 3K3	100
1623216-1	CRG0805F3K6	CRG0805 1% 3K6	100
1623218-1	CRG0805F3K9	CRG0805 1% 3K9	100
1623238-1	CRG0805F4K3	CRG0805 1% 4K3	100
1623239-1	CRG0805F4K7	CRG0805 1% 4K7	100
1623257-1	CRG0805F5K1	CRG0805 1% 5K1	100
1623261-1	CRG0805F5K6	CRG0805 1% 5K6	100
1623276-1	CRG0805F6K2	CRG0805 1% 6K2	100
1623278-1	CRG0805F6K8	CRG0805 1% 6K8	100
1623285-1	CRG0805F7K5	CRG0805 1% 7K5	100
1623292-1	CRG0805F8K2	CRG0805 1% 8K2	100
1623301-1	CRG0805F9K1	CRG0805 1% 9K1	100
1623097-1	CRG0805F10K	CRG0805 1% 10K	100
1623104-1	CRG0805F11K	CRG0805 1% 11K	100
1623108-1	CRG0805F12K	CRG0805 1% 12K	100
1623112-1	CRG0805F13K	CRG0805 1% 13K	100
1623118-1	CRG0805F15K	CRG0805 1% 15K	100
1623123-1	CRG0805F16K	CRG0805 1% 16K	100
1623128-1	CRG0805F18K	CRG0805 1% 18K	100
1623149-1	CRG0805F20K	CRG0805 1% 20K	100
1623157-1	CRG0805F22K	CRG0805 1% 22K	100
1623163-1	CRG0805F24K	CRG0805 1% 24K	100
1623170-1	CRG0805F27K	CRG0805 1% 27K	100
1623191-1	CRG0805F30K	CRG0805 1% 30K	100
1623197-1	CRG0805F33K	CRG0805 1% 33K	100
1623203-1	CRG0805F36K	CRG0805 1% 36K	100
1623209-1	CRG0805F39K	CRG0805 1% 39K	100
1623226-1	CRG0805F43K	CRG0805 1% 43K	100
1623234-1	CRG0805F47K	CRG0805 1% 47K	100
1623244-1	CRG0805F51K	CRG0805 1% 51K	100

Part Number	Product Number	Description	Qty / Kit
1623254-1	CRG0805F56K	CRG0805 1% 56K	100
1623267-1	CRG0805F62K	CRG0805 1% 62K	100
1623273-1	CRG0805F68K	CRG0805 1% 68K	100
1623282-1	CRG0805F75K	CRG0805 1% 75K	100
1623290-1	CRG0805F82K	CRG0805 1% 82K	100
1623298-1	CRG0805F91K	CRG0805 1% 91K	100
1623095-1	CRG0805F100K	CRG0805 1% 100K	100
1623101-1	CRG0805F110K	CRG0805 1% 110K	100
1623106-1	CRG0805F120K	CRG0805 1% 120K	100
1623110-1	CRG0805F130K	CRG0805 1% 130K	100
1623116-1	CRG0805F150K	CRG0805 1% 150K	100
1623120-1	CRG0805F160K	CRG0805 1% 160K	100
1623126-1	CRG0805F180K	CRG0805 1% 180K	100
1623147-1	CRG0805F200K	CRG0805 1% 200K	100
1623155-1	CRG0805F220K	CRG0805 1% 220K	100
1623160-1	CRG0805F240K	CRG0805 1% 240K	100
1623168-1	CRG0805F270K	CRG0805 1% 270K	100
1623187-1	CRG0805F300K	CRG0805 1% 300K	100
1623194-1	CRG0805F330K	CRG0805 1% 330K	100
1623201-1	CRG0805F360K	CRG0805 1% 360K	100
1623207-1	CRG0805F390K	CRG0805 1% 390K	100
1623224-1	CRG0805F430K	CRG0805 1% 430K	100
1623231-1	CRG0805F470K	CRG0805 1% 470K	100
1623242-1	CRG0805F510K	CRG0805 1% 510K	100
1623251-1	CRG0805F560K	CRG0805 1% 560K	100
1623265-1	CRG0805F620K	CRG0805 1% 620K	100
1623270-1	CRG0805F680K	CRG0805 1% 680K	100
1623280-1	CRG0805F750K	CRG0805 1% 750K	100
1623288-1	CRG0805F820K	CRG0805 1% 820K	100
1623296-1	CRG0805F910K	CRG0805 1% 910K	100
1623141-1	CRG0805F1M0	CRG0805 1% 1M0	100

THIS DRAWING IS A CONTROLLED DOCUMENT.		DWN DHEERAJ M 15DEC 2021	 TE Connectivity	
DIMENSIONS: mm		CHK ALLAN P 15DEC 2021		
		APVD ALLAN P 15DEC 2021	NAME RESISTOR LAB KIT TYPE CRG0805 SERIES	
TOLERANCES UNLESS OTHERWISE SPECIFIED:		PRODUCT SPEC	RESTRICTED TO	
0 PLC ± 0.5 1 PLC ± 0.2 2 PLC ± 0.1 3 PLC ± - 4 PLC ± - ANGLES ± 5°		APPLICATION SPEC	SIZE A3	CAGE CODE 00779
MATERIAL		WEIGHT	DRAWING NO C-1625873-5	SCALE 40:1
FINISH		CUSTOMER DRAWING	SHEET 3 OF 3	REV BB