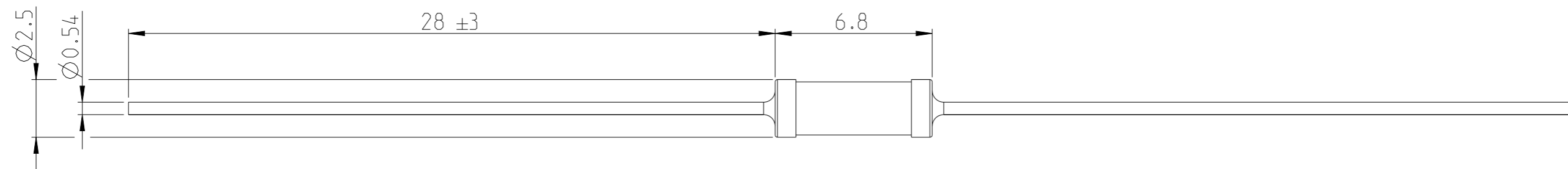
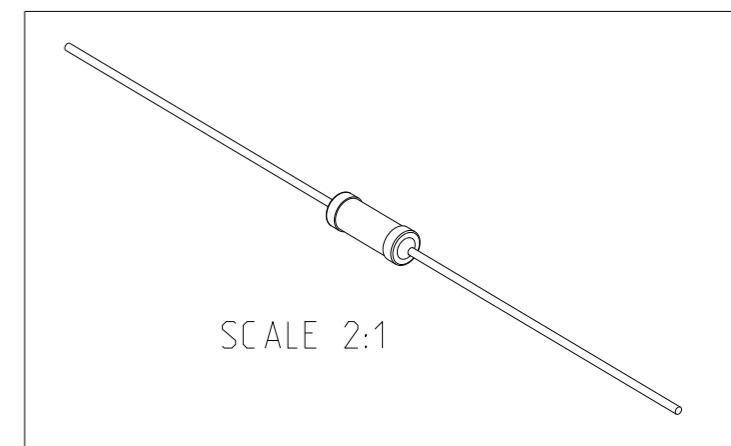


| P | LTR | DESCRIPTION | DATE | DWN | APVD |
|---|-----|-------------|-----------|-----|------|
| | BB | NEW RELEASE | 14DEC2021 | DM | AP |
| | | | | | |
| | | | | | |

FOR FURTHER INFORMATION SEE DATA SHEET FOR
CFR SERIES-CARBON FILM FIXED RESISTORS



RoHS Compliant



| | | | | | | |
|--|--|--|-----------|------------------|-----------|---|
| THIS DRAWING IS A CONTROLLED DOCUMENT. | | DWN | 14DEC2021 | | | TE Connectivity RESISTOR LAB KIT TYPE CFR25 SERIES |
| | | CHK | 14DEC2021 | | | |
| | | APVD | 14DEC2021 | | | |
| DIMENSIONS: mm | | TOLERANCES UNLESS OTHERWISE SPECIFIED: | | NAME | | |
| | | 0 PLC \pm - | | PRODUCT SPEC | | |
| | | 1 PLC ± 0.2 | | - | | |
| | | 2 PLC ± 0.1 | | APPLICATION SPEC | | |
| | | 3 PLC \pm - | | - | | |
| | | 4 PLC \pm - | | WEIGHT | | |
| MATERIAL | | FINISH | | RESTRICTED TO | | |
| - | | - | | SIZE | CAGE CODE | DRAWING NO |
| - | | - | | A3 | 00779 | C=1625873-8 |
| CUSTOMER DRAWING | | | | SCALE | SHEET | REV |
| | | | | 5:1 | 1 OF 2 | BB |

© 2021 TE Connectivity. All Rights Reserved.

REVISIONS

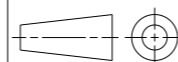
| Part Number | Product Number | Description | Qty / Kit |
|-------------|----------------|---------------|-----------|
| 4-1623930-1 | CFR25J1R0 | CFR25 5% 1R0 | 20 |
| 4-1623930-2 | CFR25J1R2 | CFR25 5% 1R2 | 20 |
| 4-1623930-5 | CFR25J1R5 | CFR25 5% 1R5 | 20 |
| 4-1623930-7 | CFR25J1R8 | CFR25 5% 1R8 | 20 |
| 7-1623930-4 | CFR25J2R2 | CFR25 5% 2R2 | 20 |
| 7-1623930-5 | CFR25J2R7 | CFR25 5% 2R7 | 20 |
| 2-1623931-7 | CFR25J3R3 | CFR25 5% 3R3 | 20 |
| 2-1623931-9 | CFR25J3R9 | CFR25 5% 3R9 | 20 |
| 4-1623931-1 | CFR25J4R7 | CFR25 5% 4R7 | 20 |
| 5-1623931-6 | CFR25J5R6 | CFR25 5% 5R6 | 20 |
| 6-1623931-8 | CFR25J6R8 | CFR25 5% 6R8 | 20 |
| 8-1623931-4 | CFR25J8R2 | CFR25 5% 8R2 | 20 |
| 1623930-5 | CFR25J10R | CFR25 5% 10R | 20 |
| 1-1623930-2 | CFR25J12R | CFR25 5% 12R | 20 |
| 2-1623930-1 | CFR25J15R | CFR25 5% 15R | 20 |
| 2-1623930-8 | CFR25J18R | CFR25 5% 18R | 20 |
| 5-1623930-6 | CFR25J22R | CFR25 5% 22R | 20 |
| 6-1623930-4 | CFR25J27R | CFR25 5% 27R | 20 |
| 1623931-9 | CFR25J33R | CFR25 5% 33R | 20 |
| 1-1623931-9 | CFR25J39R | CFR25 5% 39R | 20 |
| 3-1623931-7 | CFR25J47R | CFR25 5% 47R | 20 |
| 4-1623931-9 | CFR25J56R | CFR25 5% 56R | 20 |
| 6-1623931-4 | CFR25J68R | CFR25 5% 68R | 20 |
| 7-1623931-4 | CFR25J75R | CFR25 5% 75R | 20 |
| 7-1623931-9 | CFR25J82R | CFR25 5% 82R | 20 |
| 1623930-2 | CFR25J100R | CFR25 5% 100R | 20 |
| 1-1623930-0 | CFR25J120R | CFR25 5% 120R | 20 |
| 1-1623930-8 | CFR25J150R | CFR25 5% 150R | 20 |
| 2-1623930-6 | CFR25J180R | CFR25 5% 180R | 20 |
| 5-1623930-4 | CFR25J220R | CFR25 5% 220R | 20 |
| 6-1623930-2 | CFR25J270R | CFR25 5% 270R | 20 |
| 1623931-7 | CFR25J330R | CFR25 5% 330R | 20 |
| 1-1623931-6 | CFR25J390R | CFR25 5% 390R | 20 |
| 3-1623931-4 | CFR25J470R | CFR25 5% 470R | 20 |
| 4-1623931-7 | CFR25J560R | CFR25 5% 560R | 20 |
| 6-1623931-2 | CFR25J680R | CFR25 5% 680R | 20 |
| 7-1623931-7 | CFR25J820R | CFR25 5% 820R | 20 |
| 2-1623930-9 | CFR25J1K0 | CFR25 5% 1K0 | 20 |
| 3-1623930-1 | CFR25J1K2 | CFR25 5% 1K2 | 20 |
| 3-1623930-3 | CFR25J1K5 | CFR25 5% 1K5 | 20 |
| 3-1623930-4 | CFR25J1K8 | CFR25 5% 1K8 | 20 |
| 6-1623930-6 | CFR25J2K2 | CFR25 5% 2K2 | 20 |
| 6-1623930-8 | CFR25J2K7 | CFR25 5% 2K7 | 20 |

| Part Number | Product Number | Description | Qty / Kit |
|-------------|----------------|---------------|-----------|
| 2-1623931-1 | CFR25J3K3 | CFR25 5% 3K3 | 20 |
| 2-1623931-3 | CFR25J3K9 | CFR25 5% 3K9 | 20 |
| 3-1623931-8 | CFR25J4K7 | CFR25 5% 4K7 | 20 |
| 5-1623931-3 | CFR25J5K6 | CFR25 5% 5K6 | 20 |
| 6-1623931-6 | CFR25J6K8 | CFR25 5% 6K8 | 20 |
| 8-1623931-1 | CFR25J8K2 | CFR25 5% 8K2 | 20 |
| 1623930-3 | CFR25J10K | CFR25 5% 10K | 20 |
| 1-1623930-1 | CFR25J12K | CFR25 5% 12K | 20 |
| 2-1623930-0 | CFR25J15K | CFR25 5% 15K | 20 |
| 2-1623930-7 | CFR25J18K | CFR25 5% 18K | 20 |
| 5-1623930-5 | CFR25J22K | CFR25 5% 22K | 20 |
| 6-1623930-3 | CFR25J27K | CFR25 5% 27K | 20 |
| 1623931-8 | CFR25J33K | CFR25 5% 33K | 20 |
| 1-1623931-8 | CFR25J39K | CFR25 5% 39K | 20 |
| 3-1623931-5 | CFR25J47K | CFR25 5% 47K | 20 |
| 4-1623931-8 | CFR25J56K | CFR25 5% 56K | 20 |
| 6-1623931-3 | CFR25J68K | CFR25 5% 68K | 20 |
| 7-1623931-8 | CFR25J82K | CFR25 5% 82K | 20 |
| 1623930-1 | CFR25J100K | CFR25 5% 100K | 20 |
| 1623930-9 | CFR25J120K | CFR25 5% 120K | 20 |
| 1-1623930-7 | CFR25J150K | CFR25 5% 150K | 20 |
| 2-1623930-5 | CFR25J180K | CFR25 5% 180K | 20 |
| 5-1623930-2 | CFR25J220K | CFR25 5% 220K | 20 |
| 6-1623930-0 | CFR25J270K | CFR25 5% 270K | 20 |
| 1623931-5 | CFR25J330K | CFR25 5% 330K | 20 |
| 1-1623931-5 | CFR25J390K | CFR25 5% 390K | 20 |
| 3-1623931-3 | CFR25J470K | CFR25 5% 470K | 20 |
| 4-1623931-6 | CFR25J560K | CFR25 5% 560K | 20 |
| 6-1623931-1 | CFR25J680K | CFR25 5% 680K | 20 |
| 7-1623931-6 | CFR25J820K | CFR25 5% 820K | 20 |
| 3-1623930-5 | CFR25J1M0 | CFR25 5% 1M0 | 20 |
| 3-1623930-6 | CFR25J1M2 | CFR25 5% 1M2 | 20 |
| 3-1623930-8 | CFR25J1M5 | CFR25 5% 1M5 | 20 |
| 4-1623930-0 | CFR25J1M8 | CFR25 5% 1M8 | 20 |
| 7-1623930-1 | CFR25J2M2 | CFR25 5% 2M2 | 20 |
| 7-1623930-2 | CFR25J2M7 | CFR25 5% 2M7 | 20 |
| 2-1623931-4 | CFR25J3M3 | CFR25 5% 3M3 | 20 |
| 2-1623931-5 | CFR25J3M9 | CFR25 5% 3M9 | 20 |
| 4-1623931-0 | CFR25J4M7 | CFR25 5% 4M7 | 20 |
| 5-1623931-4 | CFR25J5M6 | CFR25 5% 5M6 | 20 |
| 6-1623931-7 | CFR25J6M8 | CFR25 5% 6M8 | 20 |
| 8-1623931-3 | CFR25J8M2 | CFR25 5% 8M2 | 20 |
| 1623930-4 | CFR25J10M | CFR25 5% 10M | 20 |

| P | LTR | DESCRIPTION | DATE | DWN | APVD |
|---|-----|-------------|------|-----|------|
| | | SEE SHEET 1 | | | |
| | | | | | |
| | | | | | |

THIS DRAWING IS A CONTROLLED DOCUMENT.

DIMENSIONS:
mm



MATERIAL

TOLERANCES UNLESS OTHERWISE SPECIFIED:

| | |
|--------|-------|
| 0 PLC | ±- |
| 1 PLC | ± 0.2 |
| 2 PLC | ± 0.1 |
| 3 PLC | ± - |
| 4 PLC | ± - |
| ANGLES | ± 5° |

FINISH

DWN DHEERAJ M 14DEC 2021

CHK ALLAN P 14DEC 2021

APVD ALLAN P 14DEC 2021

PRODUCT SPEC

-

APPLICATION SPEC

-

WEIGHT -

CUSTOMER DRAWING



TE Connectivity

NAME RESISTOR LAB KIT TYPE CFR25 SERIES

| | | | |
|------|-----------|------------|---------------|
| SIZE | CAGE CODE | DRAWING NO | RESTRICTED TO |
|------|-----------|------------|---------------|

| | | | |
|----|-------|-------------|---|
| A3 | 00779 | ☉-1625873-8 | - |
|----|-------|-------------|---|

| | | | |
|-------|-------|----|-----|
| SCALE | SHEET | OF | REV |
| 5:1 | 2 | 2 | BB |