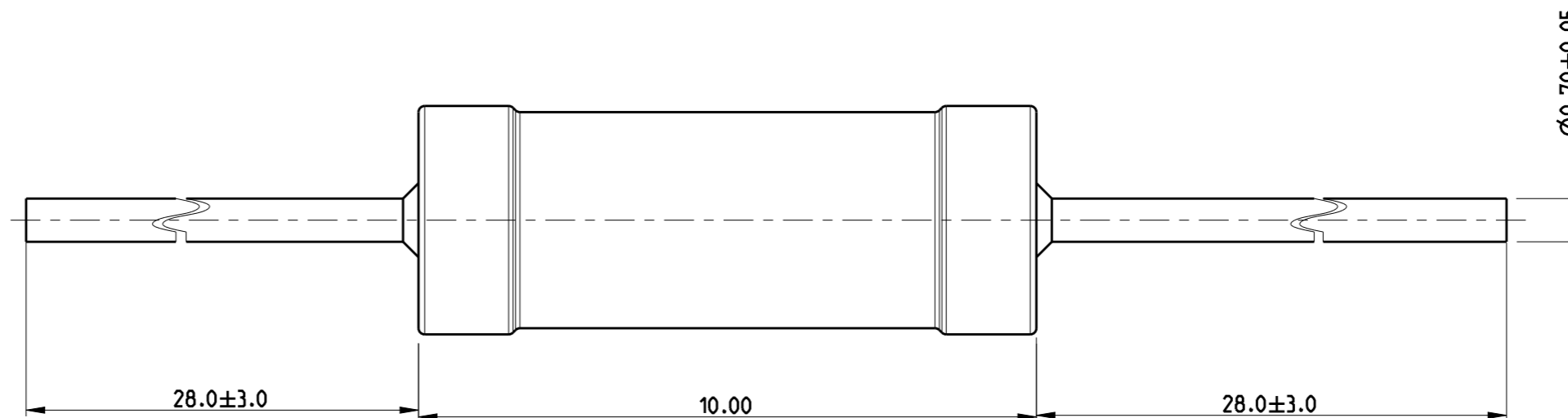
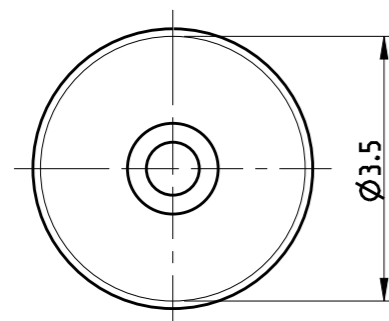


© 2020 TE Connectivity. All Rights Reserved.

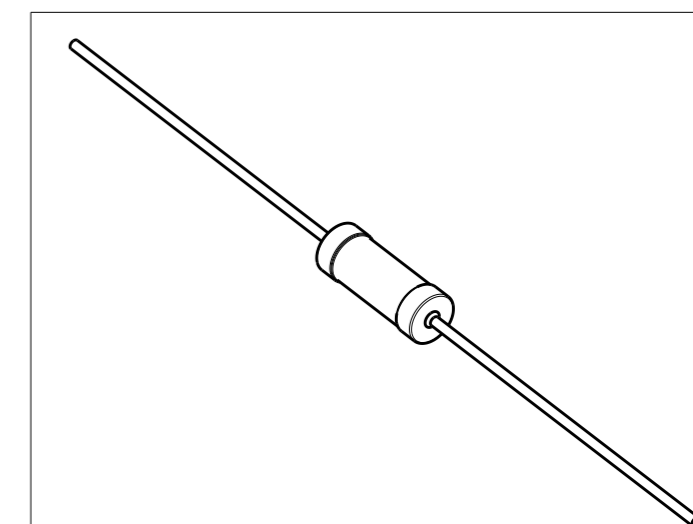
REVISIONS

P	LTR	DESCRIPTION	DATE	DWN	APVD
	BA	NEW RELEASE	27MAY2010	PT	St.P
	BA1	REVISED PER ECR-20-015646	04NOV2020	MHS	AP

FOR FURTHER INFORMATION SEE DATA SHEET FOR SERIES ROX. FLAME-PROOF POWER METAL OXIDE FILM RESISTORS



RoHS Compliant



THIS DRAWING IS A CONTROLLED DOCUMENT.

DWN 27MAY2010
 PARUSURAM.T
 CHK 27MAY2010
 SUBHASH.M
 APVD 27MAY2010
 STEPHEN.P



NAME FLAME-PROOF POWER METAL OXIDE FILM RESISTORS SERIES ROX1S

DIMENSIONS:		TOLERANCES UNLESS OTHERWISE SPECIFIED:	
mm			
	0 PLC	±0.2	
	1 PLC	±0.1	
	2 PLC	±	
	3 PLC	±	
	4 PLC	±	
ANGLES		±	5°
MATERIAL	-	FINISH	-
	-		-

PRODUCT SPEC -
 APPLICATION SPEC -
 WEIGHT -
 CUSTOMER DRAWING

SIZE	CAGE CODE	DRAWING NO	RESTRICTED TO
A3	00779	C-1625883	
SCALE 10:1		SHEET 1 OF 1	REV BA1