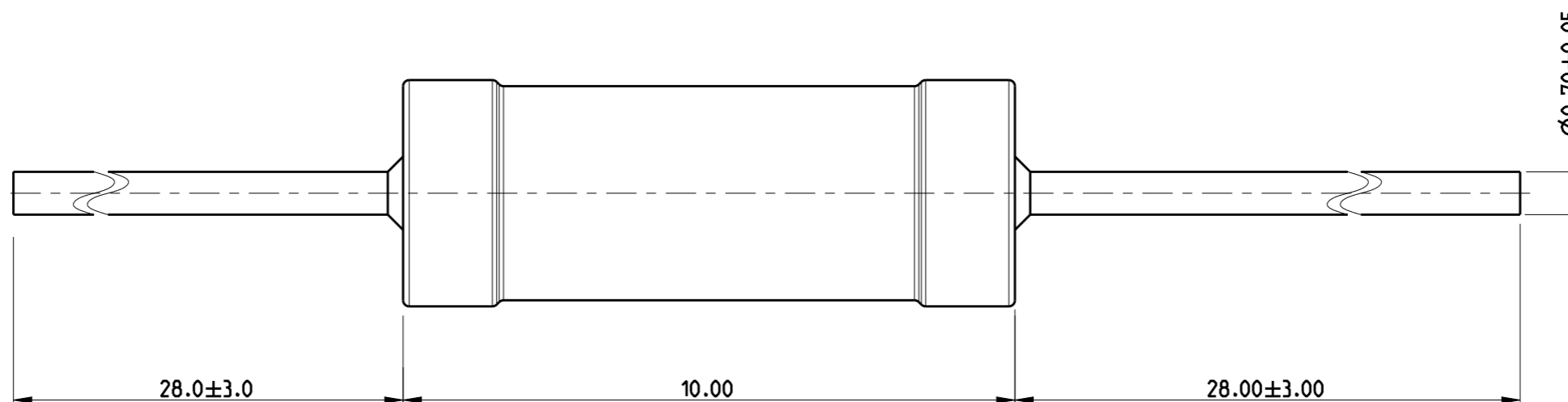
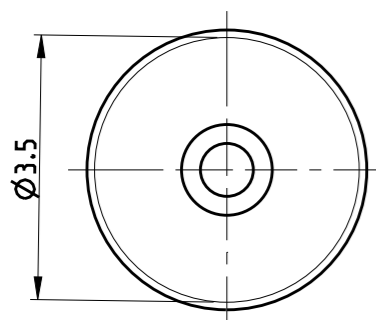


© 2020 TE Connectivity. All Rights Reserved.

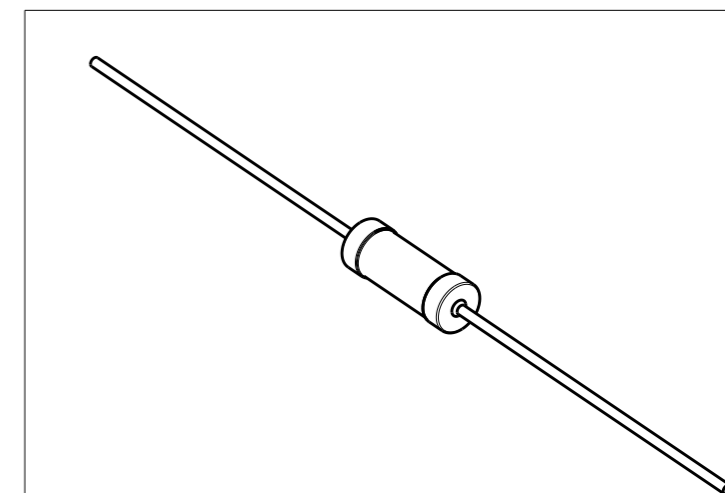
REVISIONS

P	LTR	DESCRIPTION	DATE	DWN	APVD
	BA	NEW RELEASE	22MAY2010	PT	St.P
	BA1	REVISED PER ECR-20-015646	04NOV2020	MHS	AP

FOR FURTHER INFORMATION SEE DATA SHEET FOR SERIES ROX, FLAME-PROOF POWER METAL OXIDE FILM RESISTORS



RoHS Compliant



THIS DRAWING IS A CONTROLLED DOCUMENT.

DWN 22MAY2010  
 PARUSURAM.T  
 CHK 22MAY2010  
 SUBHASH.M  
 APVD 22MAY2010  
 STEPHEN.P



NAME  
 FLAME-PROOF POWER METAL OXIDE FILM RESISTORS  
 SERIES ROX1S

DIMENSIONS:	TOLERANCES UNLESS OTHERWISE SPECIFIED:	
mm	0 PLC	±0.2
	1 PLC	±0.1
	2 PLC	±
	3 PLC	±
	4 PLC	±
	ANGLES	±5°
MATERIAL	FINISH	
-	-	
-	-	

PRODUCT SPEC -  
 APPLICATION SPEC -  
 WEIGHT -  
 CUSTOMER DRAWING

SIZE	CAGE CODE	DRAWING NO	RESTRICTED TO
A3	00779	C-1625886	
SCALE 10:1		SHEET 1 OF 1	REV BA1