

4

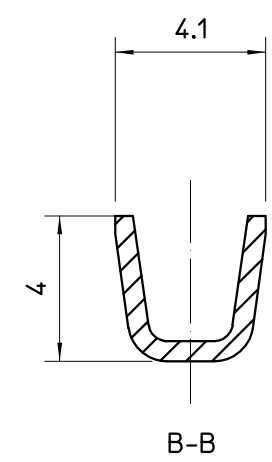
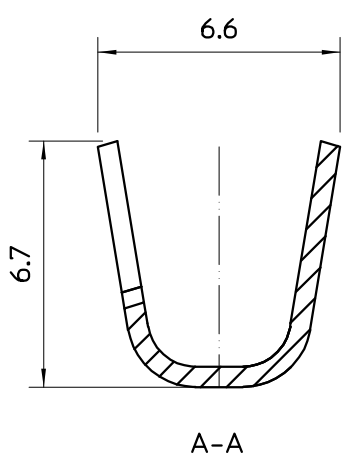
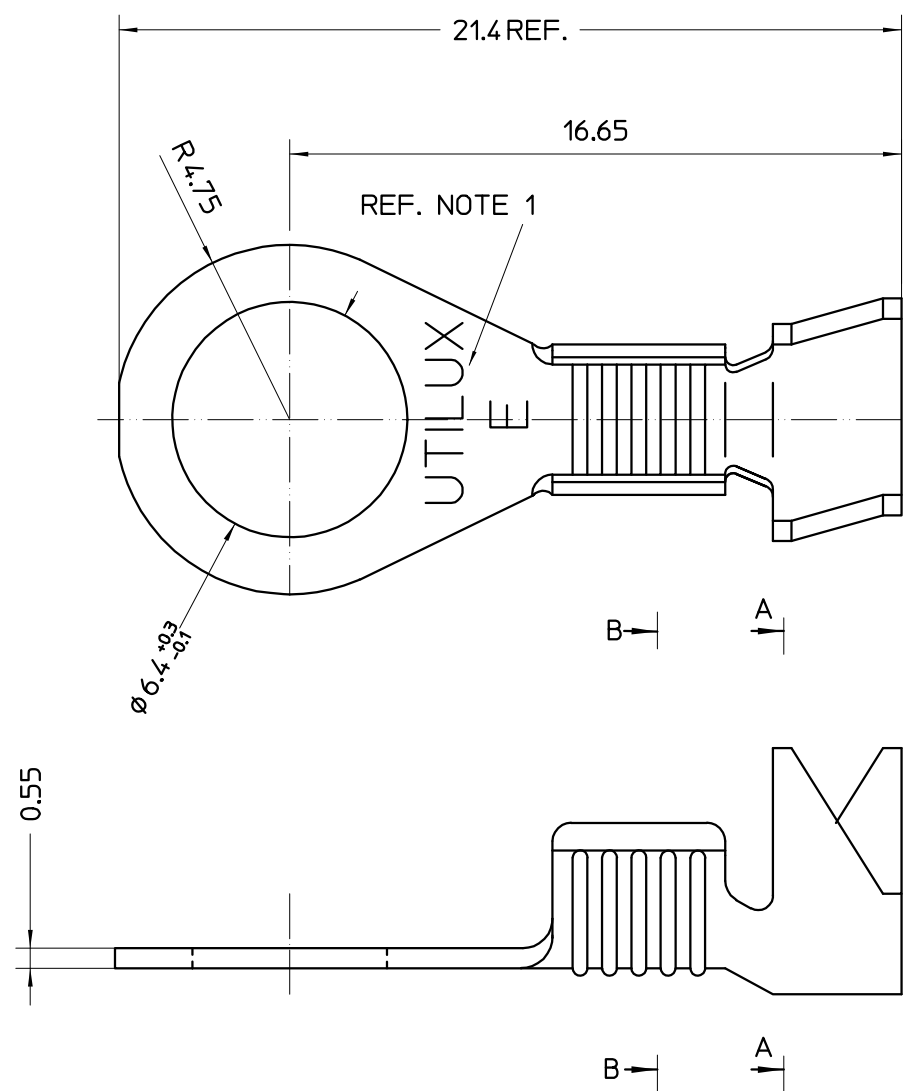
3

2

1

THIS DRAWING IS UNPUBLISHED. RELEASED FOR PUBLICATION  
 COPYRIGHT BY TYCO ELECTRONICS CORPORATION. ALL RIGHTS RESERVED.

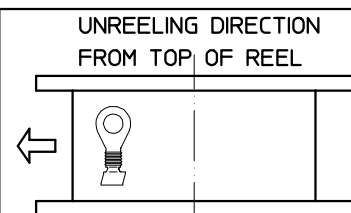
LOC	DIST	REVISIONS					
		P	LTR	DESCRIPTION	DATE	DWN	APVD
U	-		A	REVISED PER ECR-20-005216	04MAY2020	GK	CS



NOTES:

- 1. 'UTILUX' OR 'AMP' LOGO STAMPED AS REQUIRED.
- 2. THIS PRODUCT IS UL APPROVED
- 3. WIRE SIZE RANGE:  
 CONDUCTOR: 0.5mm<sup>2</sup> - 1.5mm<sup>2</sup>  
 INSULATION:  $\phi$ 2.3mm -  $\phi$ 3.2mm

	MATERIAL	FINISH	DESCRIPTION	PART No.
	BRASS	NATURAL	TERMINAL H1292	1-1627032-3
OBSOLETE	BRASS PRE-TIN	PRE-TIN	TERMINAL H1292ET	1-1627032-2
	NICKEL SILVER	NATURAL	TERMINAL H1292B	1-1627032-1



THIS DRAWING IS A CONTROLLED DOCUMENT.

ALL DIMENSIONS IN mm: TOLERANCES UNLESS OTHERWISE SPECIFIED:  
 DIMENSION (mm) TOLERANCE(+/-mm)  
 LESS THAN 10 0.4  
 OVER 10 TO 30 0.5  
 OVER 30 TO 80 0.7  
 OVER 80 TO 250 1.0  
 ANGLES  $\pm 2^\circ$

DWN: WR 07JUL05  
 CHK: HT 07JUL05  
 APVD: WR 07JUL05

PRODUCT SPEC: -  
 APPLICATION SPEC: -  
 WEIGHT: -

**STE** TE Connectivity

NAME: TERMINAL, RING/EYE

SIZE: A3 CAGE CODE: DRAWING NO: C-1627032 RESTRICTED TO: -

CUSTOMER DRAWING SCALE: 5:1 SHEET 1 OF 1 REV A

THIS INFORMATION IS CONFIDENTIAL AND PROPRIETARY TO TYCO ELECTRONICS CORPORATION AND ITS WORLDWIDE SUBSIDIARIES AND AFFILIATES. IT MAY NOT BE DISCLOSED TO ANYONE OTHER THAN TYCO ELECTRONICS PERSONNEL WITHOUT THE WRITTEN AUTHORIZATION OF TYCO ELECTRONICS CORPORATION, HARRISBURG, PENNSYLVANIA, USA.