

4

3

2

1

THIS DRAWING IS UNPUBLISHED.

RELEASED FOR PUBLICATION

LOC

DIST

REVISIONS

© COPYRIGHT BY TYCO ELECTRONICS CORPORATION. ALL RIGHTS RESERVED.

ALL RIGHTS RESERVED.

U

-

P

LTR

DESCRIPTION

DATE

DWN

APVD

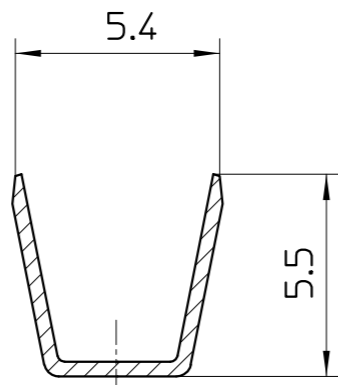
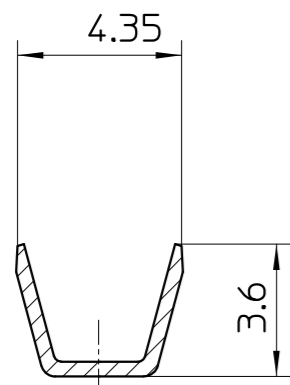
A

REDRAWN - WAS UTX DRG No. 01.025731.01

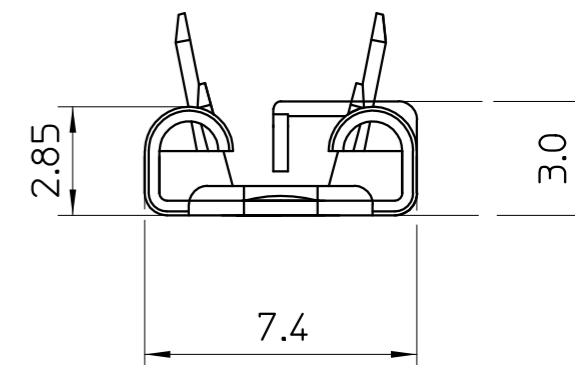
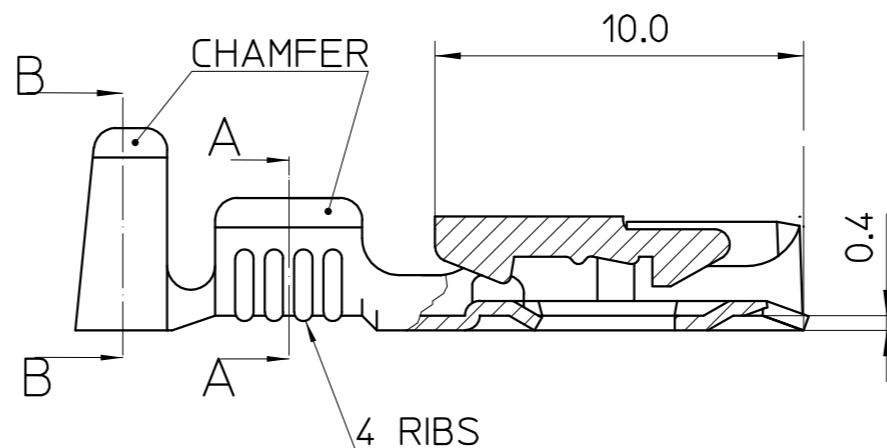
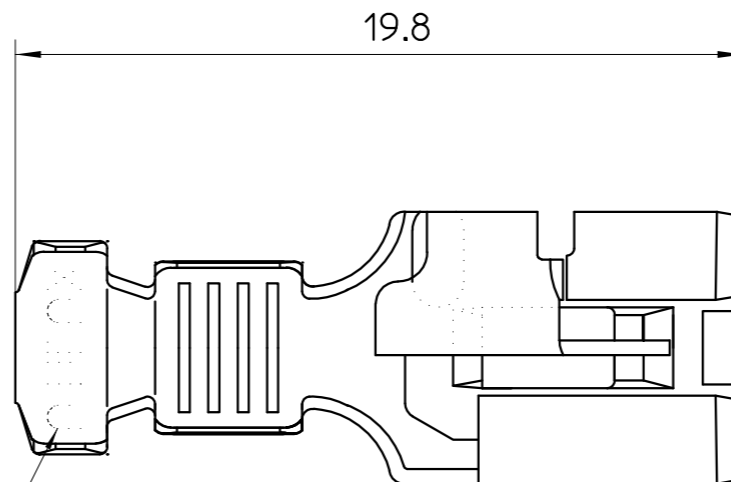
10 SEP 08

V.M.

W.R.



REF NOTE 2



NOTES:

- 1. WIRE RANGE
CONDUCTOR: 1.0mm² - 1.5mm²
INSULATION: ϕ 3.0mm. MAX.
- 2. 'UTILUX' OR 'AMP' LOGO STAMPED AS REQUIRED.

THIS INFORMATION IS CONFIDENTIAL AND PROPRIETARY TO TYCO ELECTRONICS CORPORATION AND ITS WORLDWIDE SUBSIDIARIES AND AFFILIATES. IT MAY NOT BE DISCLOSED TO ANYONE OTHER THAN TYCO ELECTRONICS PERSONNEL WITHOUT WRITTEN AUTHORIZATION FROM TYCO ELECTRONICS CORPORATION, HARRISBURG, PENNSYLVANIA, USA.

BRASS C26000 PRE-TIN

RECEPTACLE, QC 6.3 (H25735)

1-1627095-0

MATERIAL DESC.

DESCRIPTION (UTXP/N:)

PART No.

THIS DRAWING IS A CONTROLLED DOCUMENT.

DWN: V.MEDOVIKOV 10 SEP 08

Tyco Electronics Kingsgrove AUSTRALIA

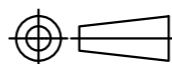
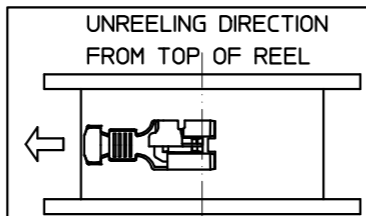
ALL DIMENSIONS IN mm:

TOLERANCES UNLESS OTHERWISE SPECIFIED:	
DIMENSION (mm)	TOLERANCE (+mm)
LESS THAN 10	0.4
OVER 10 TO 30	0.5
OVER 30 TO 80	0.7
OVER 80 TO 250	1.0
ANGLES	$\pm 2^\circ$

CHK: W.RIEDE 10 SEP 08

APVD: W.RIEDE 10 SEP 08

NAME: RECEPTACLE, QC 6.3 PIVOT LOCK



MATERIAL REF BLOCK

FINISH REF BLOCK

PRODUCT SPEC: -

APPLICATION SPEC: -

WEIGHT: 0.7g

SIZE	CAGE CODE	DRAWING NO	RESTRICTED TO
A3		©-1627095	-

CUSTOMER DRAWING

SCALE 10:1 & 5:1 SHEET 1 OF 1 REV A