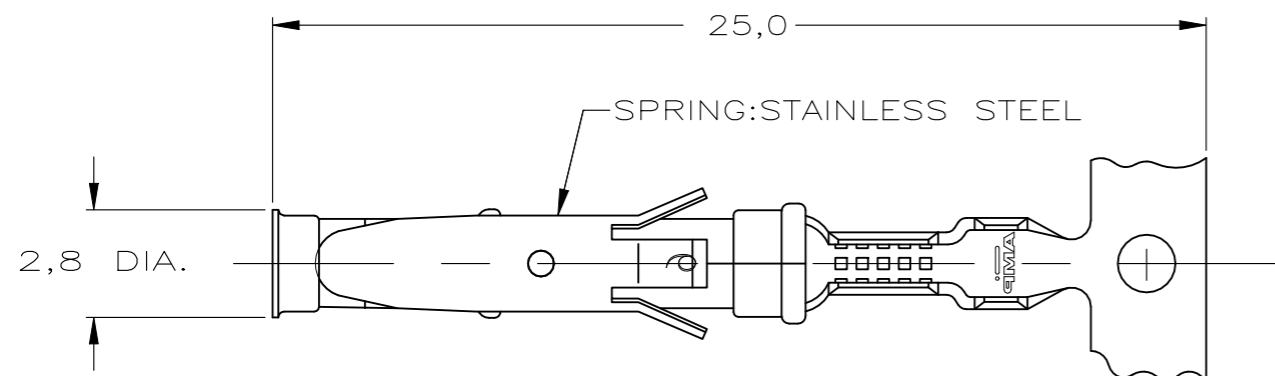
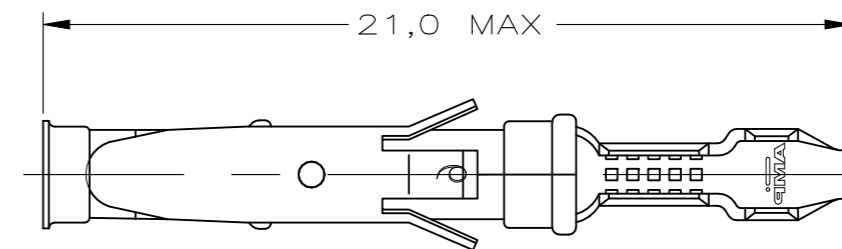


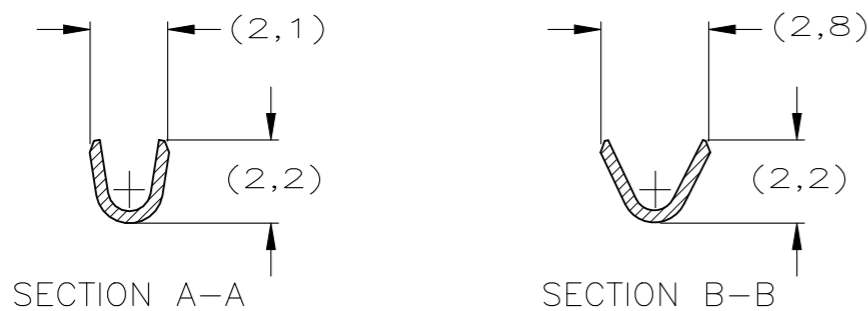
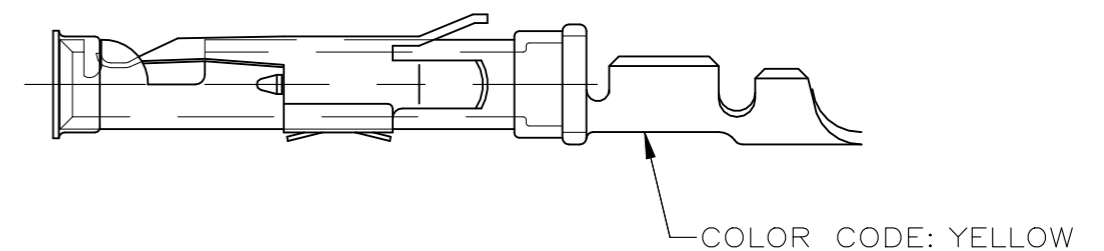
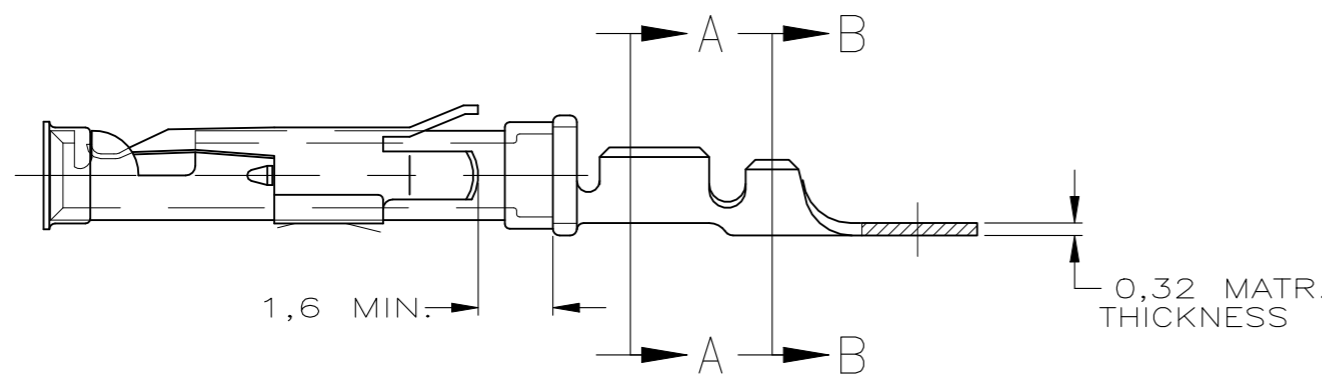
P	LTR	DESCRIPTION	DATE	DWN	APVD
	AE	ECO-21-006960	26JUL2021	RK	MZ



STRIP

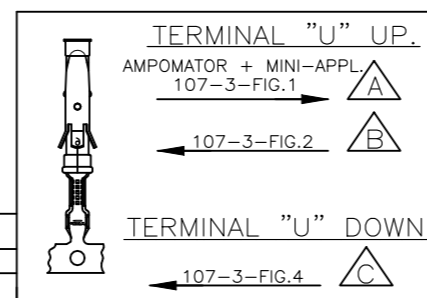


LOOSE-PIECE



WIRE RANGE : 0,2-0,50 mm² (24-20 AWG)
 INSUL. RANGE : 1,1 -1,8 mm (.080-.100)

	1-163087-5	A	61-163088-4	BRASS	SILVER	28
	1-163087-4	A	61-163088-4	BRASS	EL.TIN	31 20
5 OBSOLETE	1-163087-3	A	61-163088-3	BRASS	BR.TIN/LEAD	30
5 OBSOLETE	4 5-163087-3	C		BRASS	ECON.GOLD	21
5 OBSOLETE	4 5-163087-2	C		BRASS	SEL.GOLD	22
5 OBSOLETE	4 5-163087-1	C		BRASS	EL.TIN	20
	1-163087-2	B	61-163088-1	BRASS	GOLD	23
	1-163087-1	A		BRASS	ECON.GOLD	21
6 OBSOLETE	1-163087-0	B	1-163088-0	BRASS	ECON.GOLD	21
	163087-9	A		BRASS	EL.TIN	20
	163087-8	A		BRASS	SEL.GOLD	22
1	163087-2	B	163088-2	BRASS	SEL.GOLD	22
1	163087-1	B	163088-1	BRASS	EL.TIN	20
	PART NUMBER	DIRECTION OF REEL	LOOSE-PIECE	MATERIAL	PLATING	



NOTES	MATERIAL	THICKNESS	AREA
20	TIN	2,0 μm	ALL OVER
21	NICKEL GOLD TIN	.76 μm .76 μm 1.01 μm	ALL OVER CONTACT AREA BARREL
22	NICKEL GOLD TIN	1.27 μm .76 μm 1.01 μm	ALL OVER CONTACT AREA BARREL
23	NICKEL GOLD GOLD	1,2 μm	ALL OVER CONTACT AREA ALL OVER
27	NICKEL SILVER TIN	2,5 μm	ALL OVER CONTACT AREA BARREL
28	SILVER NICKEL	1,5-2,5 μm 0,76 μm	ALL OVER
29	SILVER	2,5 μm	ALL OVER
30	NICKEL BR TIN	1,27 μm 1,27 μm	ALL OVER ALL OVER

- NOTES :
- 1 UL RECOGNIZED UNDER E28476 VOL VI SEC I
 - 2 FOR CRIMP DETAILS SEE SPEC. 114-19000
 - 3 MEETS PRODUCT SPECIFICATION 108-10042
 - 4 SPECIAL REEL WITH 200PCS FOR REEL-FED HAND-TOOL
 - 5 OBSOLETE PARTS: OBSOLETE CIS STREAMLINING PER D.RENAUD/D.SINISI
 - 6 OBSOLETE
 - 7 OMISSION OF 6 CONTACTS MAX PER REEL OF 5000PCS
 - 31 LUBRICATED

THIS DRAWING IS A CONTROLLED DOCUMENT.

DIMENSIONS:	TOLERANCES UNLESS OTHERWISE SPECIFIED:
mm	0 PLC ± -
	1 PLC ± -
	2 PLC ± -
	3 PLC ± -
	4 PLC ± -
	ANGLES ± -
MATERIAL	FINISH
REFER TABLE	REFER TABLE

DWN	21JULY2015
M THAJUDEEN	
CHK	21JULY2015
GANI NIMBENNAPPA	
APVD	21JULY2015
PRASHANTH S	
PRODUCT SPEC	
108-10042	
APPLICATION SPEC	
114-19000	
WEIGHT	0.539g
CUSTOMER DRAWING	

STE TE Connectivity			
TYPE III+, SIZE 16, SOCKET ASS'Y, 24-20 AWG, 1.1-1.8mm DIA INSULATION			
SIZE	CAGE CODE	DRAWING NO	RESTRICTED TO
A3	00779	C-163087	-
SCALE	SHEET	REV	
-	1 OF 1	AE	