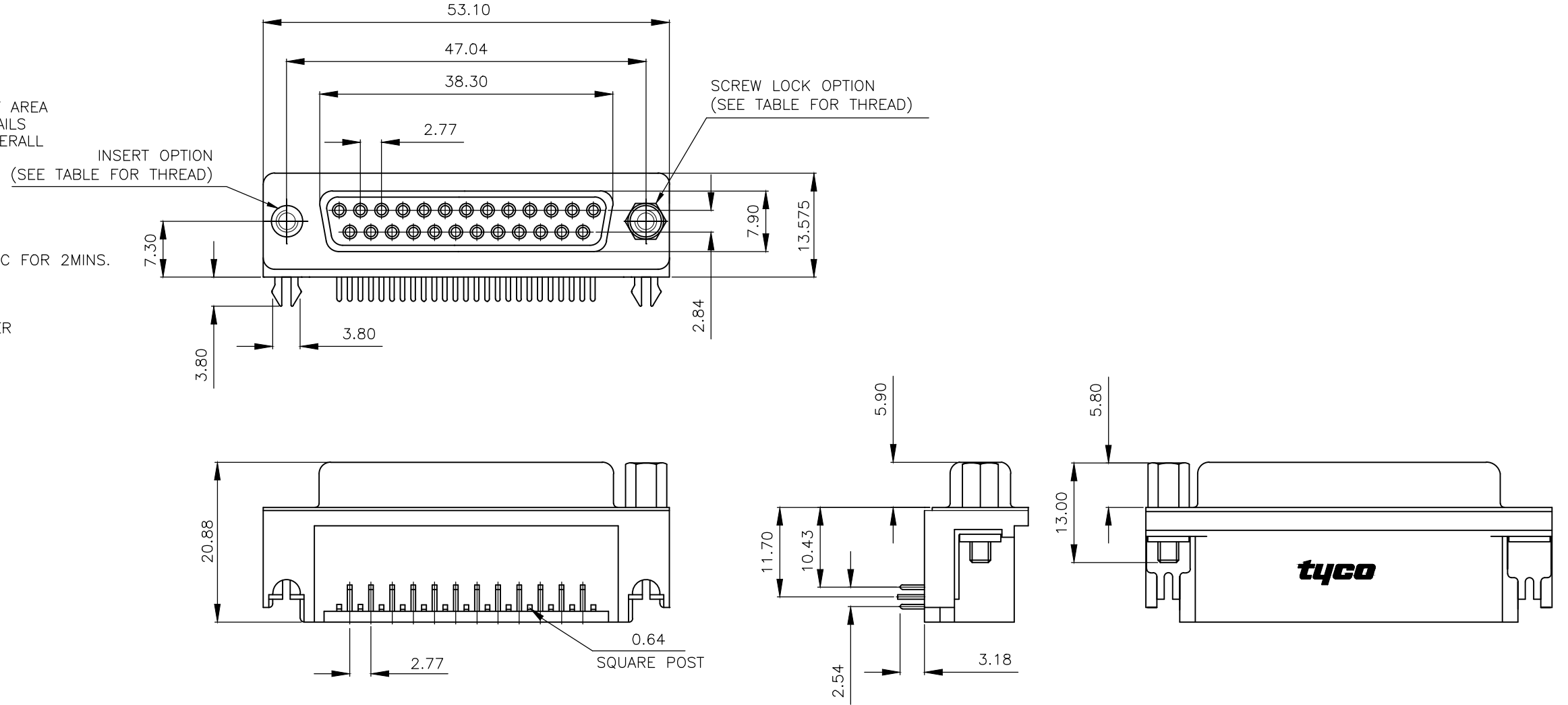
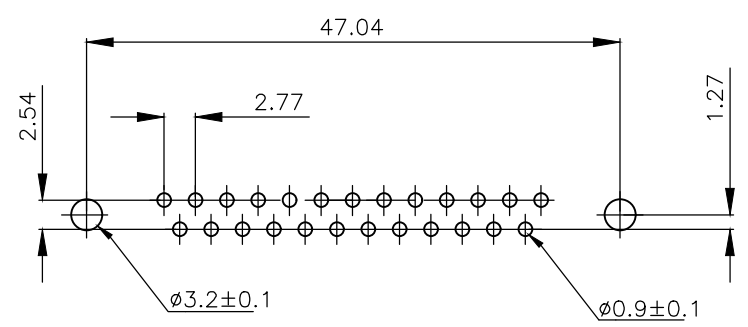


LOC	DIST	REVISIONS					
E	B	P	LTR	DESCRIPTION	DATE	DWN	APVD
		E		REVISED PER ECO-17-012925	21FEB2018	AP	DG

- 1 FOR LOCAL DATA REFER TO YOUR LOCAL TE CONNECTIVITY SALES OFFICE.
- 2 ALL DIMENSIONS ARE NOMINAL FOR REFERENCE ONLY UNLESS OTHERWISE STATED.
- 3 MATERIAL :
 HOUSING : THERMOPLASTIC, UL94V-0
 BLACK COLOR
 CONTACTS : PHOSPHOR BRONZE
 SHELL : STEEL
 BOARDLOCK : BRASS
 SCREW : BRASS
- 4 FINISH :
 CONTACT : 0.38µm MIN.GOLD PLATED ON CONTACT AREA
 2.54µm MIN. TIN PLATED ON SOLDER TAILS
 1.27µm MIN. NICKEL UNDERPLATED OVERALL
 SHELL : 2.54 µm MIN NICKEL PLATED.
 BOARD LOCK : 1.52µm MIN. TIN PLATED
 SCREW : 1.27µm MIN. NICKEL PLATED.
- 5 CHARACTERISTICS
 CURRENT RATING : 5A
 INSULATION RESISTANCE : 1000MOHMS MIN, 500VDC FOR 2MINS.
 TEMPERATURE RATING : -55DEGC ~ +105DEGC
 VOLTAGE RATING : 250VDC
- 6 OBSOLETE PARTS: OBSOLETE CIS STREAMLINING PER D.RENAUD/D.SINISI.



P.C.B. LAYOUT



6	OBSOLETE	25 WAY D SOCKET WITH BOARD LOCKS & 2 x M3 SCREW LOCKS, 0.38µm GOLD, RIGHT ANGLE	4-1634586-2
SUPERSEDED BY		2301846-1	25 WAY D SOCKET WITH BOARD LOCKS & 2 x 4-40 SCREW LOCKS, 0.38µm GOLD, RIGHT ANGLE
6	OBSOLETE	25 WAY D SOCKET WITH BOARD LOCKS & 2 x M3 INSERTS, 0.38µm GOLD, RIGHT ANGLE	2-1634586-2
6	OBSOLETE	25 WAY D SOCKET WITH BOARD LOCKS & 2 x 4-40 INSERTS, 0.38µm GOLD, RIGHT ANGLE	1-1634586-2
DESCRIPTION			PART NO.

THIS DRAWING IS A CONTROLLED DOCUMENT.

DIMENSIONS: mm	TOLERANCES UNLESS OTHERWISE SPECIFIED: 0 PLC ± - 1 PLC ± - 2 PLC ± - 3 PLC ± - 4 PLC ± - ANGLES ± -	DWN J.SANDWELL 15SEP2003 CHK S.EBBUTT 15SEP2003 APVD F.WHEELER-KING 15SEP2003 PRODUCT SPEC APPLICATION SPEC WEIGHT	TE Connectivity	
MATERIAL	FINISH	NAME: 25 WAY D-SUB SOCKET WITH BOARD LOCK SIZE: A3 CAGE CODE: 00779 DRAWING NO: C-1634586 RESTRICTED TO: -		
CUSTOMER DRAWING		SCALE: NTS	SHEET: 1 OF 2	REV: E

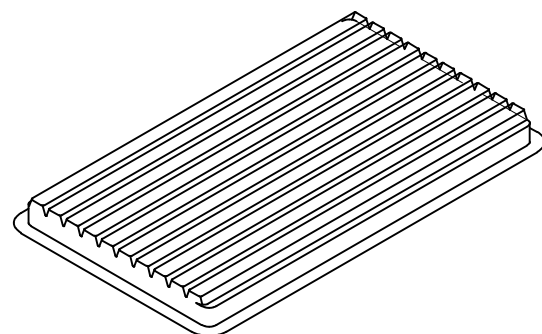
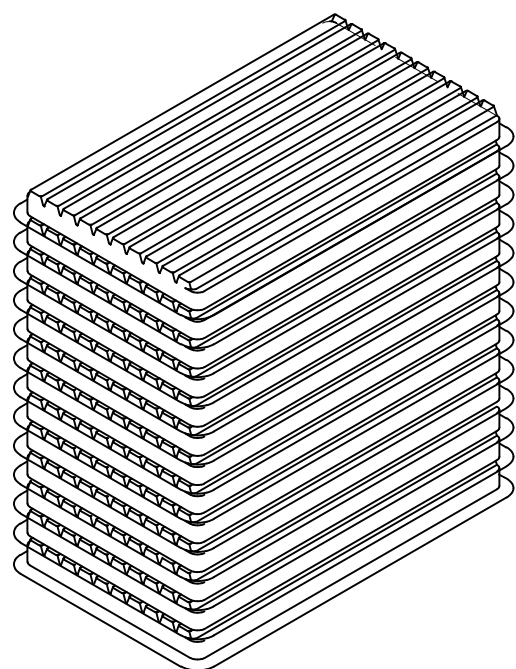
THIS DRAWING IS UNPUBLISHED.

RELEASED FOR PUBLICATION OCT , 2003.

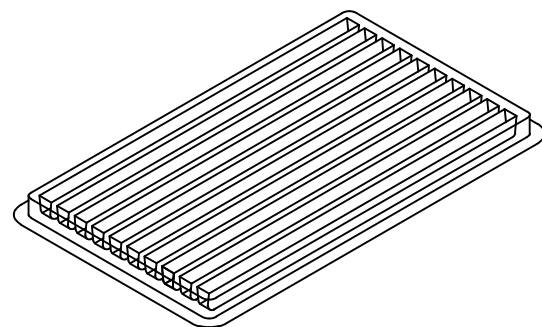
© COPYRIGHT 2003 By -

ALL RIGHTS RESERVED.

LOC	DIST	REVISIONS			
P	LTR	DESCRIPTION	DATE	DWN	APVD
	-	SEE SHEET 1	-	-	-



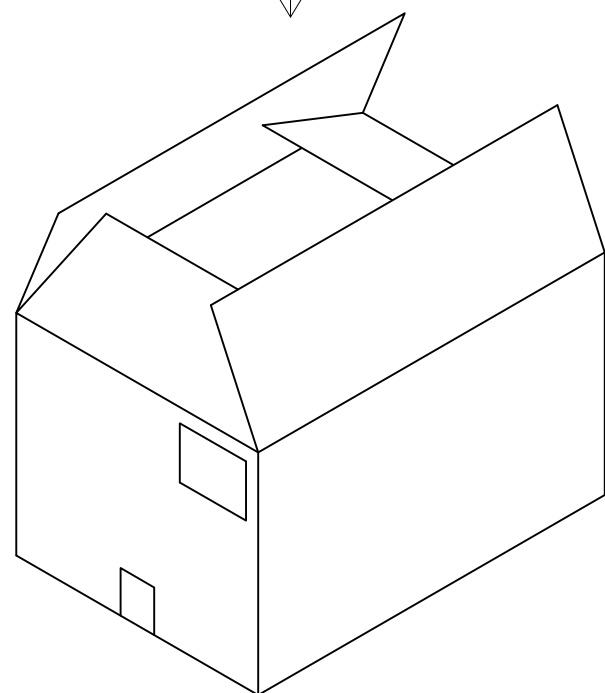
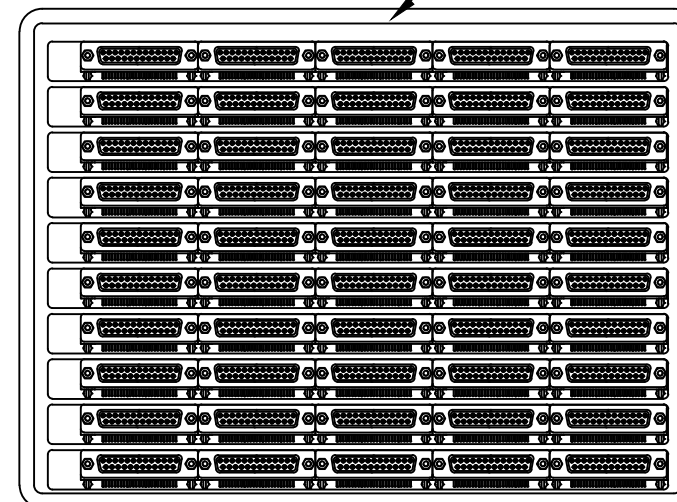
COVER




TRAY

- 1 DIMENSION:
TRAY:L=310,W=220,H=23
SHIPPING
BOX:L=335,W=230,H=320
- 2 QUANTITY:
50 PCS/TRAY
13 TRAY/SHIPPING BOX

Tray Layout



THIS DRAWING IS A CONTROLLED DOCUMENT.		DWN J.SANDWELL 15SEP2003	 TE Connectivity														
DIMENSIONS: mm		CHK S.EBBUTT 15SEP2003															
TOLERANCES UNLESS OTHERWISE SPECIFIED:		APVD F.WHEELER-KING 15SEP2003	NAME 25 WAY D-SUB SOCKET WITH BOARD LOCK														
<table border="0"> <tr><td>0 PLC</td><td>± -</td></tr> <tr><td>1 PLC</td><td>± -</td></tr> <tr><td>2 PLC</td><td>± -</td></tr> <tr><td>3 PLC</td><td>± -</td></tr> <tr><td>4 PLC</td><td>± -</td></tr> <tr><td>ANGLES</td><td>± -</td></tr> </table>		0 PLC	± -	1 PLC	± -	2 PLC	± -	3 PLC	± -	4 PLC	± -	ANGLES	± -	PRODUCT SPEC -	SIZE A3	CAGE CODE 00779	DRAWING NO C-1634586
0 PLC	± -																
1 PLC	± -																
2 PLC	± -																
3 PLC	± -																
4 PLC	± -																
ANGLES	± -																
MATERIAL -		FINISH -	APPLICATION SPEC -	RESTRICTED TO -	SCALE NTS												
CUSTOMER DRAWING			SHEET 2 OF 2	REV E													