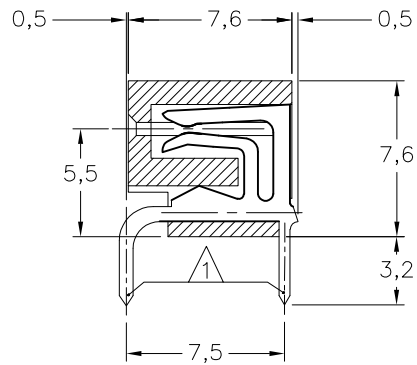
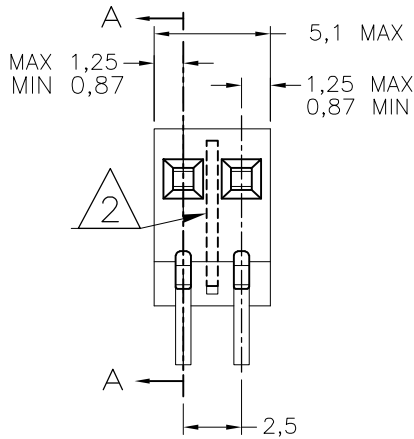
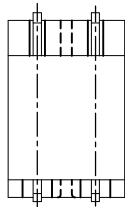


LOC H	DIST —	REVISIONS					
		P	LTR	DESCRIPTION	DATE	DWN	APVD
			C	ECR-13-005841	09MAY2013	SMT	RP



SECTION A-A



NOTES:

① PREFERRED HOLE SIZE: 0,8^{+0,1}

② VERSIONS WITH OR WITHOUT SLOT BETWEEN CAVITIES CAN BE USED INDIFFERENTLY.

MATERIAL	HOUSING: GRAY CRASTIN SK643FR
	RECEPTACLES: BRASS; TIN PLATED OVER NICKEL BARRIER

RELEASED FOR PUBLICATION

ALL RIGHTS RESERVED.

THIS DRAWING IS UNPUBLISHED.

© COPYRIGHT - By -

DIMENSIONS: mm	DWN SMT	09MAY2013	MATERIAL SEE TABLE	FINISH —
	CHK —	—	TE Connectivity	
TOLERANCES UNLESS OTHERWISE SPECIFIED:	APVD —	—		
0 PLC ± -	PRODUCT SPEC	—	SIZE	CAGE CODE
1 PLC ± -	APPLICATION SPEC	—	A4	00779
2 PLC ± -	WEIGHT	—	DRAWING NO C-164293	
3 PLC ± -			RESTRICTED TO —	
4 PLC ± -			CUSTOMER DRAWING	
ANGLES ± -			SCALE	4:1
			SHEET	1 OF 1
			REV	C