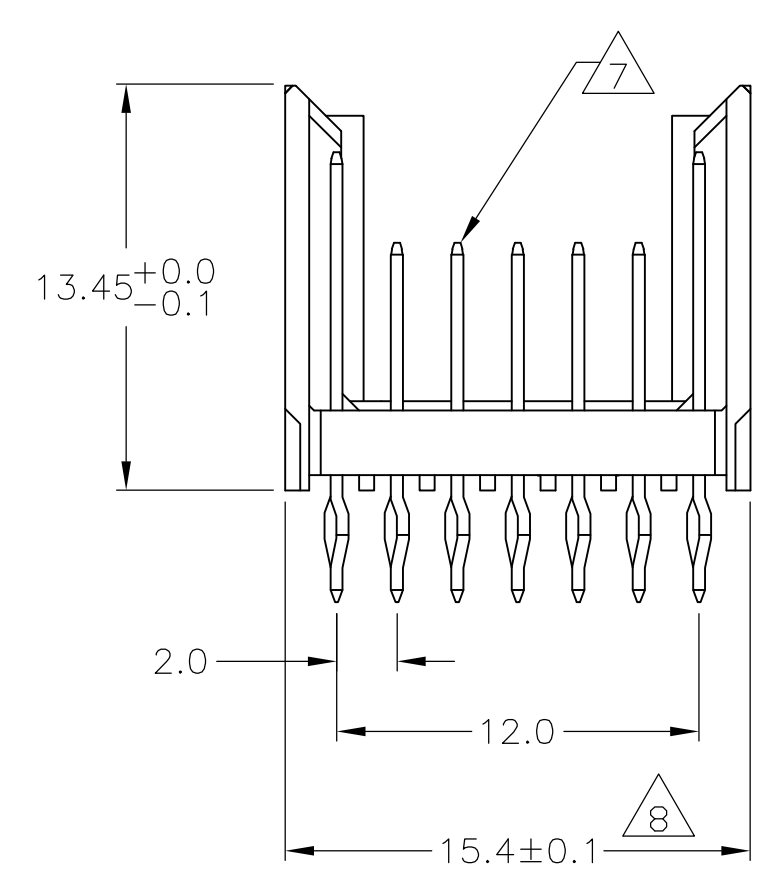
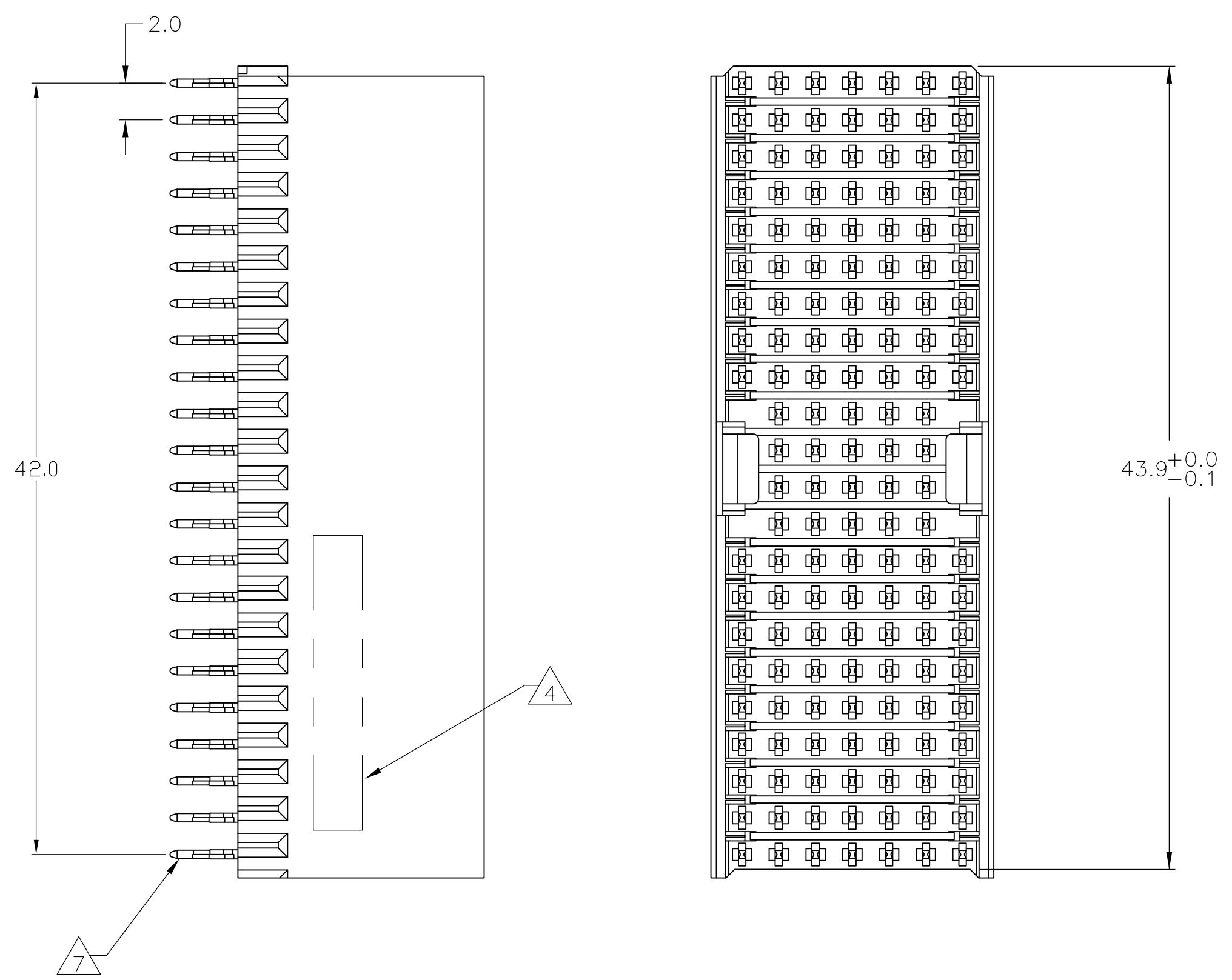
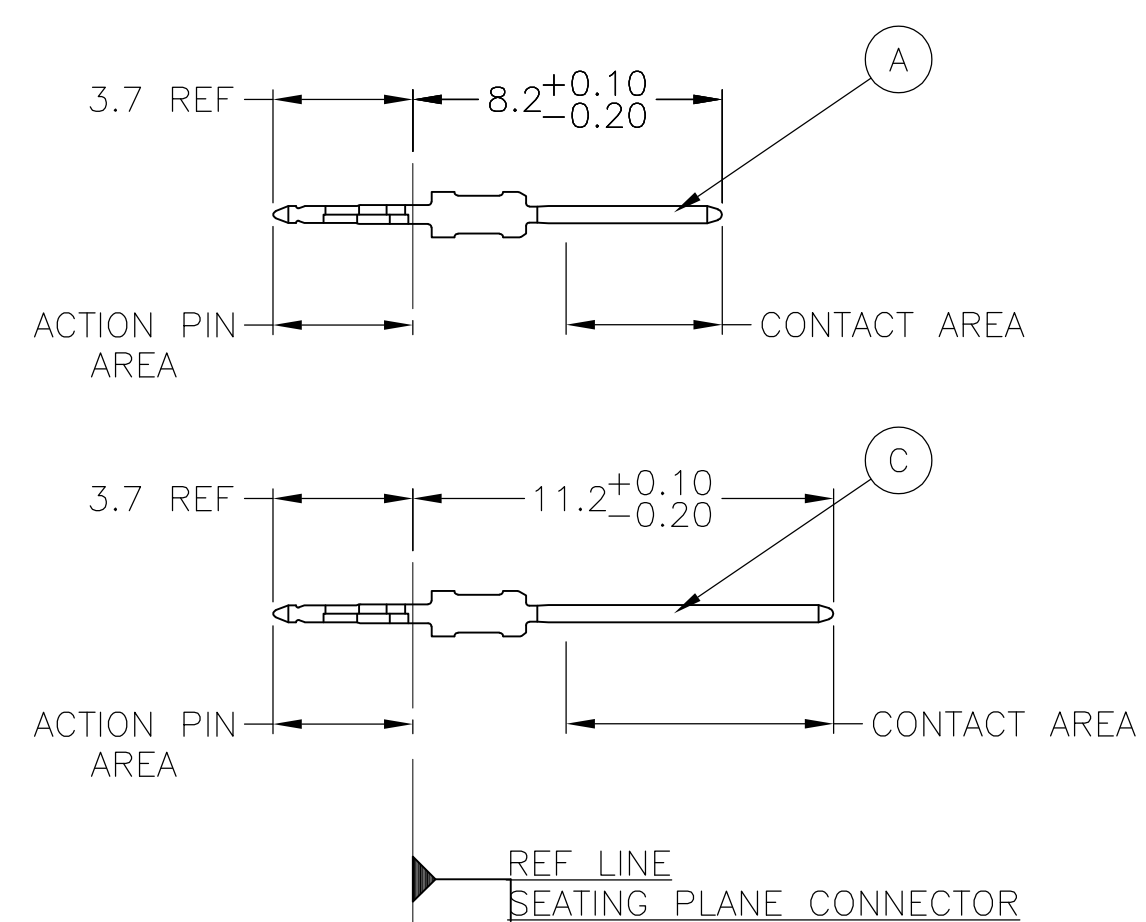


CONNECTOR ASSEMBLY EXAMPLARY LOADED



CONTACT DIMENSIONS

SCALE 5:1



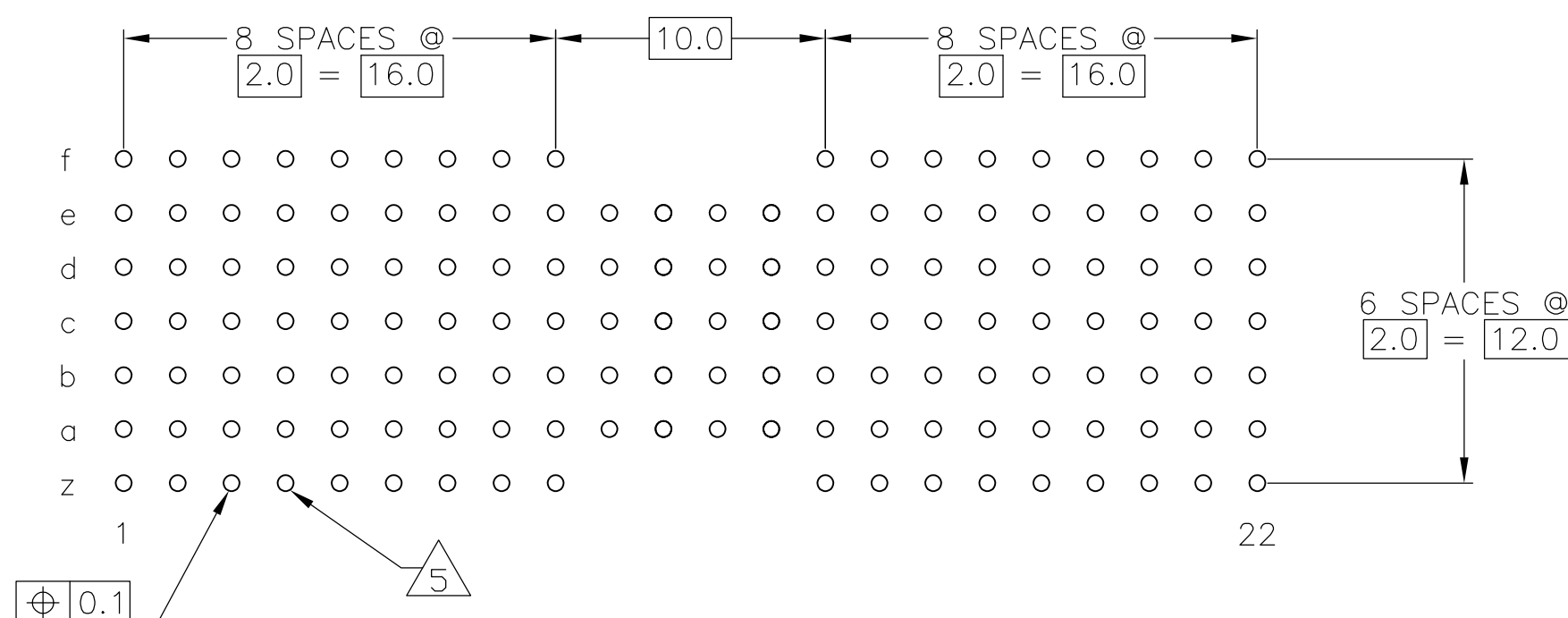
CONTACT LAYOUT

	z	a	b	c	d	e	f
1	C	A	A	A	A	A	C
2	C	A	A	A	A	A	C
3	C	A	A	A	A	A	C
4	C	A	A	A	A	A	C
5	C	A	A	A	A	A	C
6	C	A	A	A	A	A	C
7	C	A	A	A	A	A	C
8	C	A	A	A	A	A	C
9	C	A	A	A	A	A	C
10		A	A	A	A	A	
11		A	A	A	A	A	
12		A	A	A	A	A	
13		A	A	A	A	A	
14	C	A	A	A	A	A	C
15	C	A	A	A	A	A	C
16	C	A	A	A	A	A	C
17	C	A	A	A	A	A	C
18	C	A	A	A	A	A	C
19	C	A	A	A	A	A	C
20	C	A	A	A	A	A	C
21	C	A	A	A	A	A	C
22	C	A	A	A	A	A	C

RECOMMENDED PCB-HOLE LAYOUT COMPONENT SIDE SHOWN

PLATED THRU HOLES PARAMETERS

REFERENCE APPLICATION SPECIFICATION

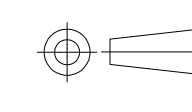


2/3	1645593-1
FINISH	PART NUMBER

THIS DRAWING IS A CONTROLLED DOCUMENT.		DRN: RAYMOND CAO 11/18/2010	Tyco Electronics Corporation	
		CHK: SANDERS YAN 11/18/2010	Shanghai P.R.China 200233	
		APD: MANQIAN WANG 11/18/2010	NAME: MALE ASSEMBLY, Z-PACK 2mm HM, TYPE A/B	
DIMENSIONS: mm		PRODUCT SPEC: 108-19082		RESTRICTED TO: -
TOLERANCES UNLESS OTHERWISE SPECIFIED: ±0.2		APPLICATION SPEC: 114-19029		SIZE: A1
MATERIAL: 1		WEIGHT: -		CAGE CODE: 00779
FINISH: SEE TABLE		CUSTOMER DRAWING		DRAWING NO: 1645593
		SCALE: 4:1		SHEET: 1 OF 2
				REV: A

LOC		DIST		REVISIONS				
P	LTR	DESCRIPTION	DATE	DN	APVD			
ES	00	SEE SHEET 1	-	-	-			

- 1 MATERIAL:
CONTACT: PHOSPHOR BRONZE.
HOUSING: GLASS-FILLED POLYESTER.
- 2 GENERAL PLATING SPECIFICATION: UNDERPLATING
(ENTIRE CONTACT): 1.27μm MIN NICKEL AND ACTION
PIN: 0.5μm MIN TIN/LEAD.
1.27μm MIN GOLD PLATING ON MATING SURFACES
- 3 CONFORMS TO ALL TESTING ACCORDING TO IEC 61076-4-101
PERFORMANCE LEVEL 1.
- 4 CONNECTOR MARKED WITH PART NUMBER AND DATE CODE.
ADDITIONAL CHARACTERS OR MARKINGS, AS WELL AS THE LOCATION OF THE MARKINGS,
MAY BE ADDED FOR TRACEABILITY BASED UPON MANUFACTURERS DISCRETION.
- 5 PLATED-THROUGH HOLES AT 2x2mm SQUARE GRID
PATTERN DEFINED BY CONTACT LAYOUT.
- 6 FOR ACTUAL PIN LOADING SEE "CONTACT LAYOUT".
- 7 FOR ACTUAL PIN DIMENSIONS SEE "CONTACT DIMENSIONS".
- 8 TO BE MEASURED AT BOTTOM OF SHROUD.

THIS DRAWING IS A CONTROLLED DOCUMENT.		DIN 11/18'2010 RAYMOND CAO		Tyco Electronics Corporation Shanghai P.R.China 200233	
DIMENSIONS: mm		TOLERANCES UNLESS OTHERWISE SPECIFIED: ±0.2		APVD 11/18'2010 MANQIAN WANG	
		0-PLG ± 1-PLG ±0.1 2-PLG ± 3-PLG ± 4-PLG ± ANGLES ±		NAME MALE ASSEMBLY, Z-PACK 2mm HM, TYPE A/B	
MATERIAL SEE SHEET 1		FINISH SEE SHEET 1		APPLICATION SPEC 108-19082 114-19029 WEIGHT -	
		CUSTOMER DRAWING		SIZE A1 CAGE CODE 00779 DRAWING NO 1645593 RESTRICTED TO -	
				SCALE 4:1 SHEET 2 OF 2 REV A	