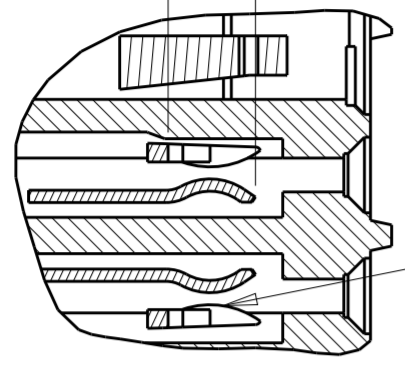


THIS DRAWING IS UNPUBLISHED. RELEASED FOR PUBLICATION 20  
 © COPYRIGHT 20 ALL RIGHTS RESERVED.

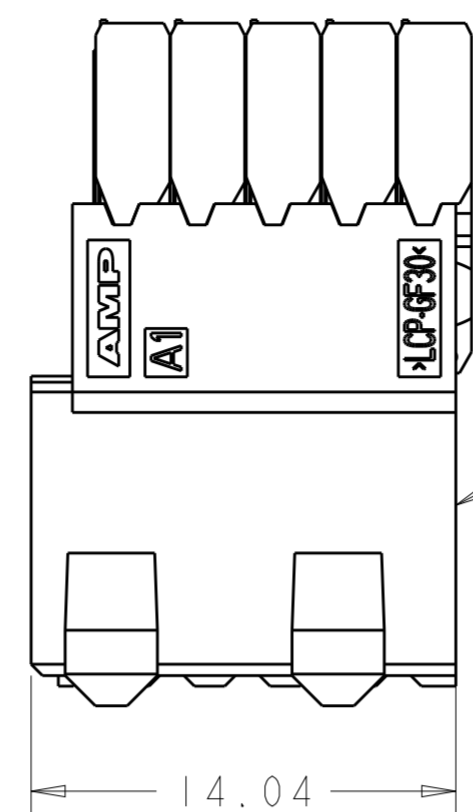
LOC		DIST		REVISIONS			
P	LTR	DESCRIPTION	DATE	DWN	APVD		
	A	NEW DRAWING	21NOV2014	AP	RP		

CONTACT AREA TYP



CONTACT QTY: 30

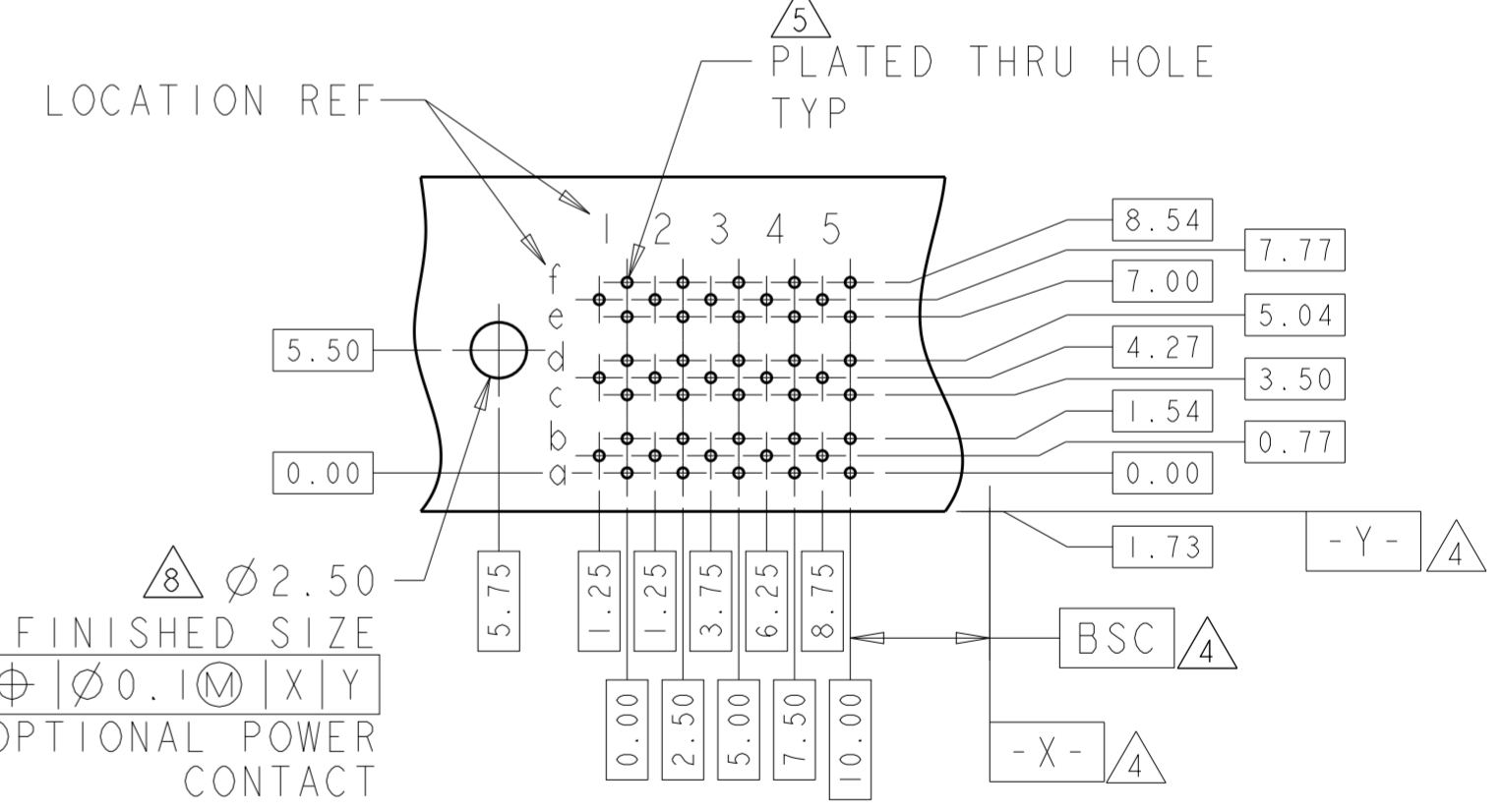
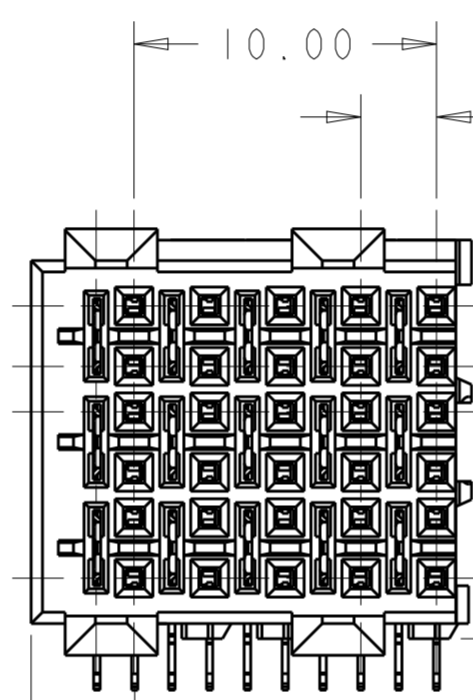
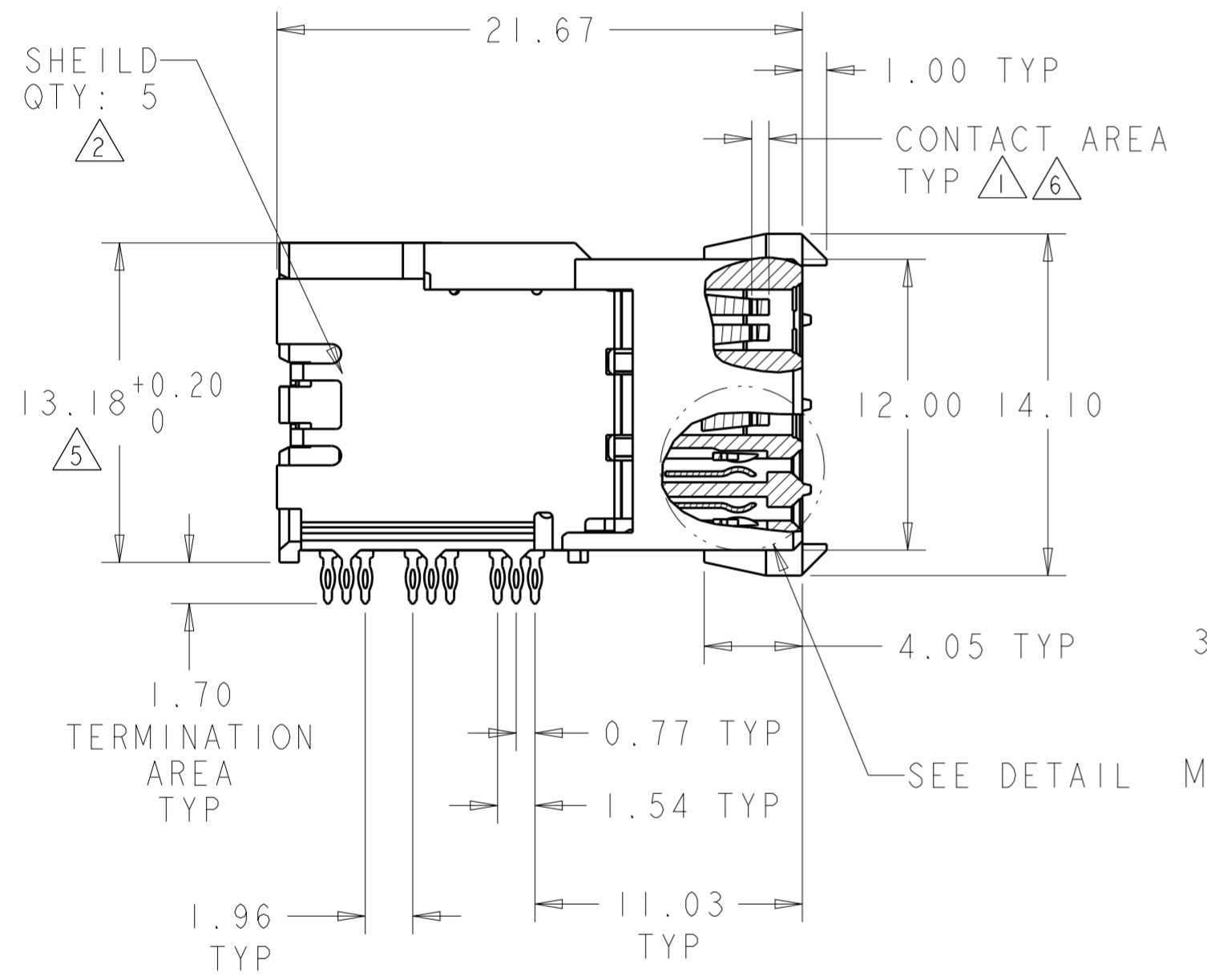
DETAIL M  
SCALE 8:1



HOUSING QTY: 1

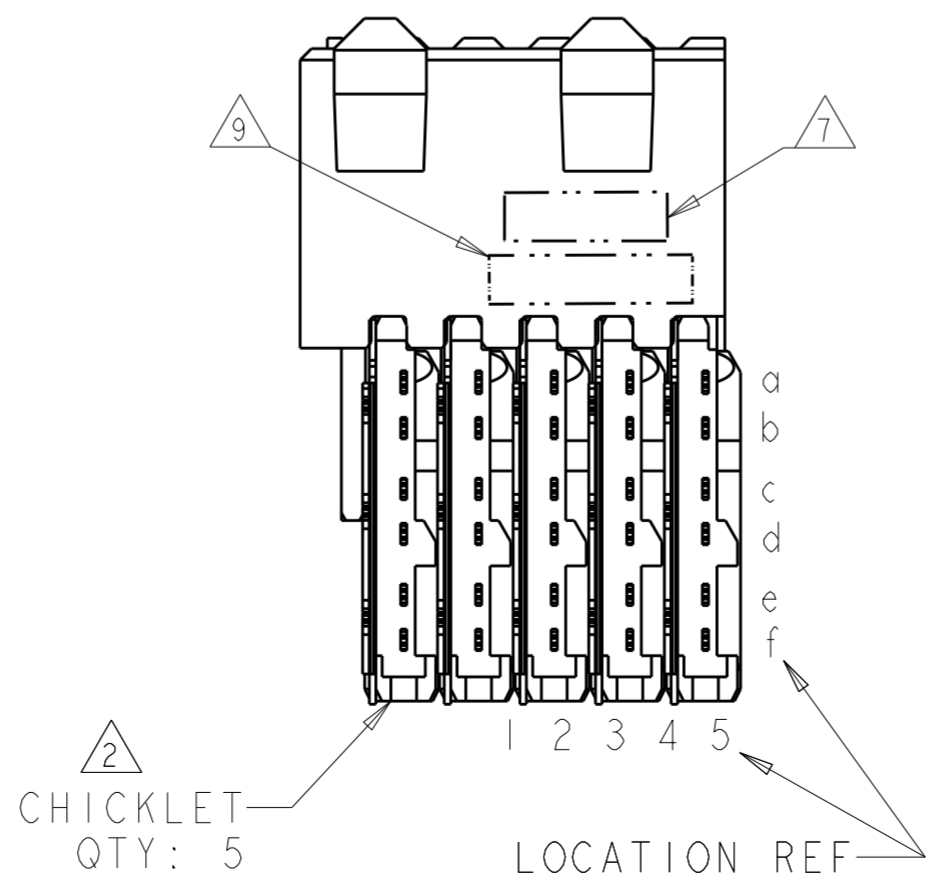
14.04 REF

- 1 CONTACT MATING AREA MEETS THE PERFORMANCE REQUIREMENTS OF TE CONNECTIVITY PRODUCT SPECIFICATION 108-1957; BASED ON TELCORDIA GR-1217-CORE, APPLICATIONS IN UNCONTROLLED ENVIRONMENTS
- 2 MATERIAL:  
CONTACT - COPPER ALLOY  
SHIELD - PHOSPHOR BRONZE  
HOUSING - LCP, UL94V-0  
CHICKLET - GLASS FILLED POLYESTER
- 3 REFERENCE APPLICATION SPEC 114-13020 FOR RECOMMENDED PLATED THRU HOLE DIAMETER AND PLATING THICKNESS.
- 4 DATUM AND BASIC DIMENSION ESTABLISHED BY CUSTOMER.
- 5 SEATING HEIGHT TO BOARD SURFACE.
- 6 CONTACT AREA LUBRICATED WITH BELLCORE APPROVED LUBRICANT. TECHNICAL REFERENCE: GR-1217-CORE, ISSUE 1, NOVEMBER 1995.
- 7 DATE CODE
- 8 OPTIONAL POWER CONTACT PN 535875-X
- 9 PART NUMBER



RECOMMENDED PRINTED  
CIRCUIT BOARD LAYOUT  
COMPONENT SIDE OF PRINTED CIRCUIT BOARD

1645681-1  
PART NUMBER



THIS DRAWING IS A CONTROLLED DOCUMENT.		DWN AJITH PAI 21NOV2014	TE Connectivity	
DIMENSIONS: mm		CHK R. PATTERSON 21NOV2014		
TOLERANCES UNLESS OTHERWISE SPECIFIED:		APVD R. PATTERSON 21NOV2014	SIZE A2	CAGE CODE 00779
0 PLC ±		PRODUCT SPEC 108-1957-1	DRAWING NO C-1645681	RESTRICTED TO -
1 PLC ±		APPLICATION SPEC 114-13020	SCALE 3:1	SHEET 1
2 PLC ±0.13		WEIGHT -	OF 1	REV A
3 PLC ±0.050		MATERIAL -	Customer Drawing	
4 PLC ±				
ANGLES ±				
FINISH				