

DO NOT SCALE

METRIC

THIRD ANGLE  
PROJECTION

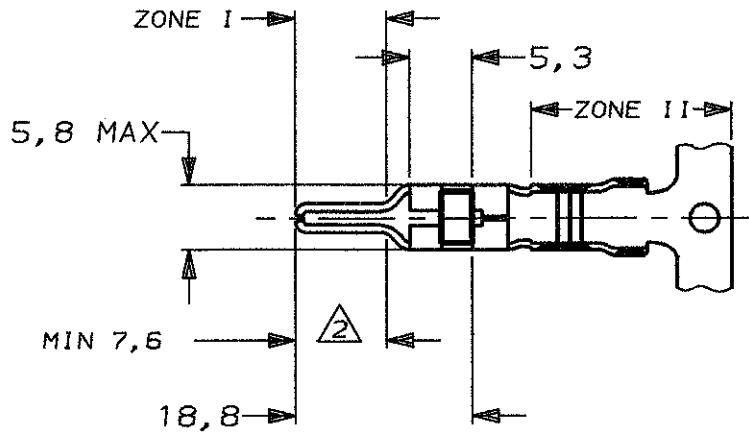


DIMENSIONS IN mm

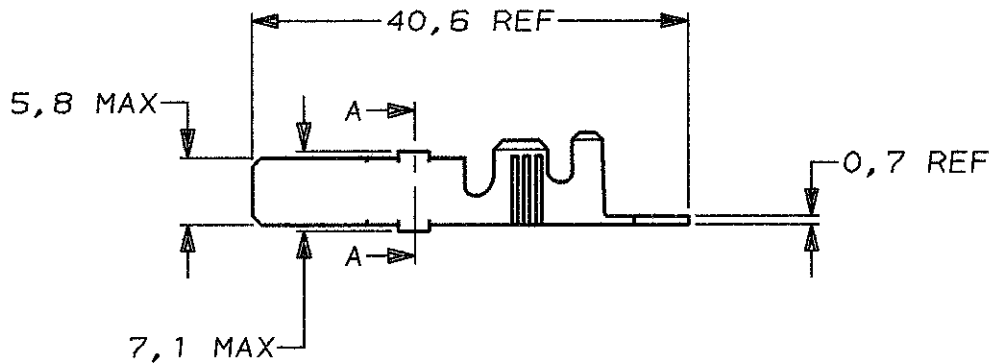
NOTES:

- ① DUPLEX PL.:
  - UNDERLAYER 1,25 μM MIN. NICKEL PER 112-25-2
  - ZONE I : OVER 10,0 MIN. LENGTH OUTSIDE+EDGES 0,75 μM MIN. GOLD PER 166938.
  - ZONE II: OVER 16,7 MIN. 2,5 μM ±1,3 TIN/LEAD 93/7 PER 112-26-1

- ② LUBRICATED
- ③ REVERSE REELED FOR MINI APPLICATOR
- ④ TERMINAL LATCH NYLON
- ⑤ LOOSE PIECE



SECTION A-A



WIRE SIZE	INS SIZE	PLATING	MATERIAL	PARTNUMBER
12 -16 AWG	4,06 MAX	①	COPPER	⑤ 164771-5
12 -16 AWG	4,06 MAX	①	COPPER	③ 1-164771-4
12 -16 AWG	4,06 MAX	①	COPPER	164771-4

<b>CUSTOMER DRAWING</b>					FOR REFERENCE ONLY WILL NOT BE UPDATED
© COPYRIGHT 19- BY AMP-HOLLAND B.V.					
ALL INTERNATIONAL RIGHTS RESERVED. AMP PRODUCTS MAY BE COVERED BY U.S. AND FOREIGN AND/OR PATENTS PENDING.					
THIS DRAWING IS UNPUBLISHED					
RELEASED FOR PUBLICATION _____, 19____					
Z	ECN H-10177	MvD	RD	28-10-92	 AMP-HOLLAND B.V. 's-Hertogenbosch, The Netherlands.
Y	ECN H-9431	MvD	RD	08-01-92	
W	ECN H-9184	MvD	RD	07-10-91	
V	ECN H-8989	MvD	RD	20-08-91	
U	REVISED & REDRAWN	MvD	RD	03-06-91	
LTR.	REVISION RECORD	DR.	CHK.	DATE	

DR. -	CHK. -	APP. -	DWG. No.	REV. LTR.	SHEET
DATE -	DATE - 20-10-92	DATE - 11-11-92	C-164771	Z	1 OF 1