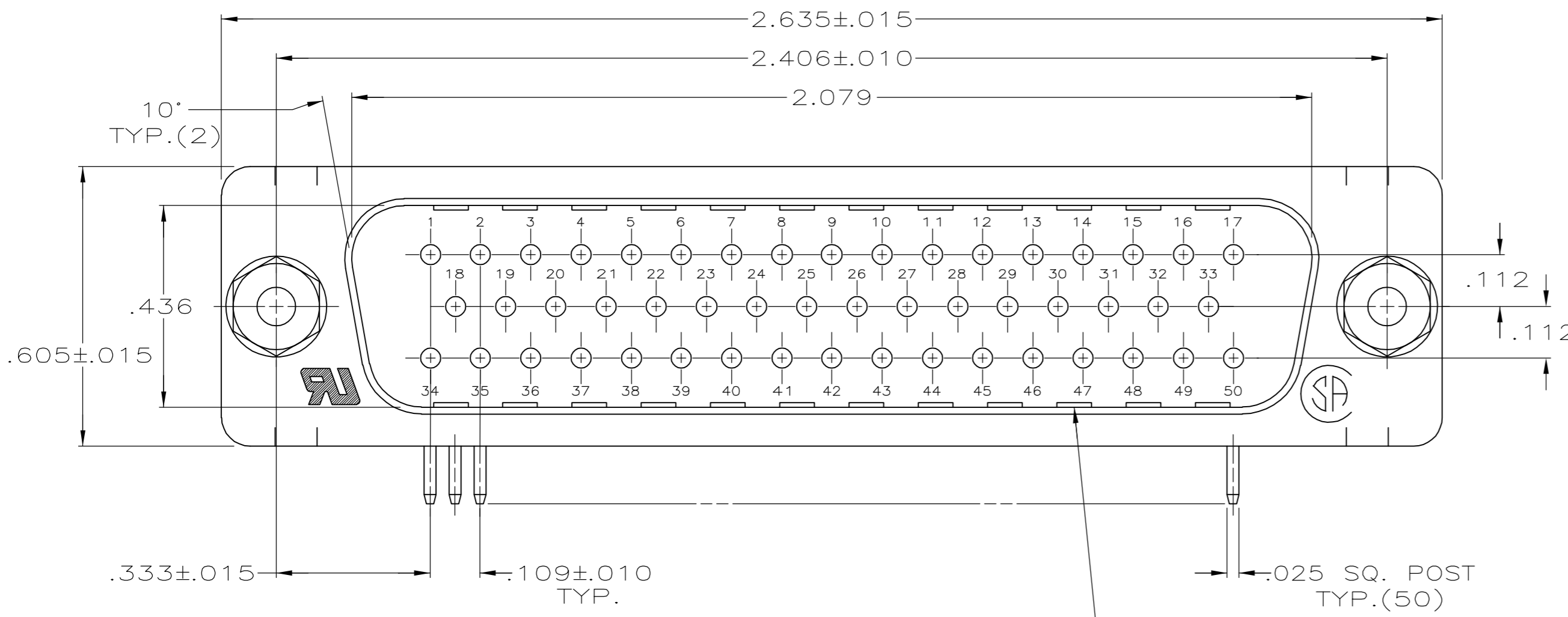
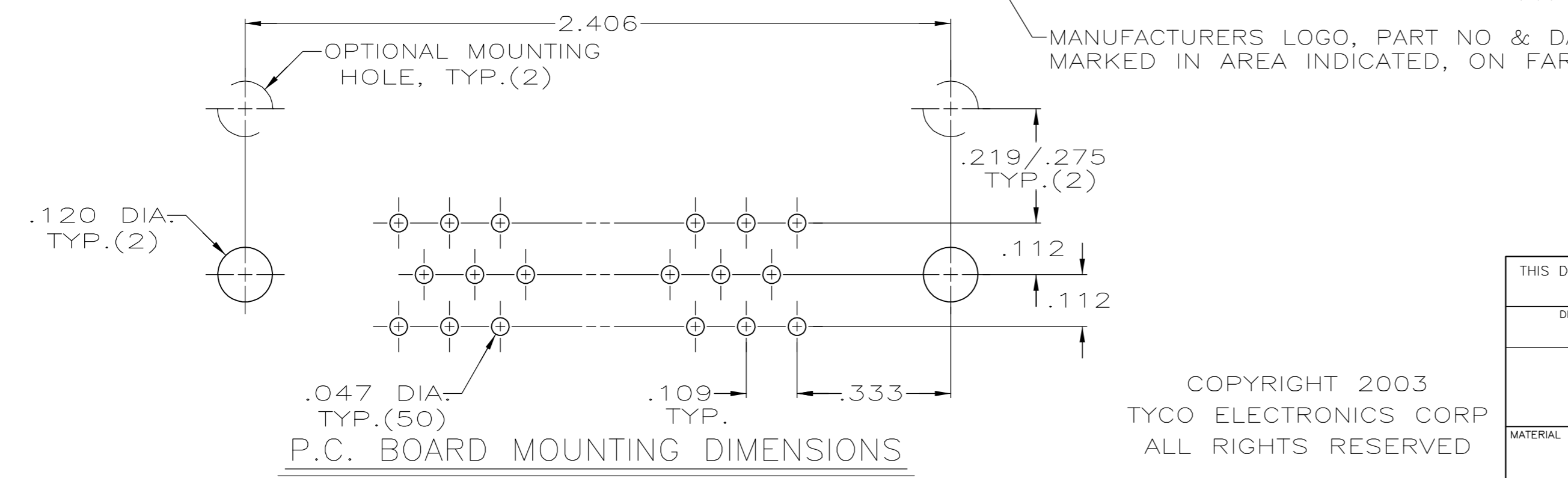
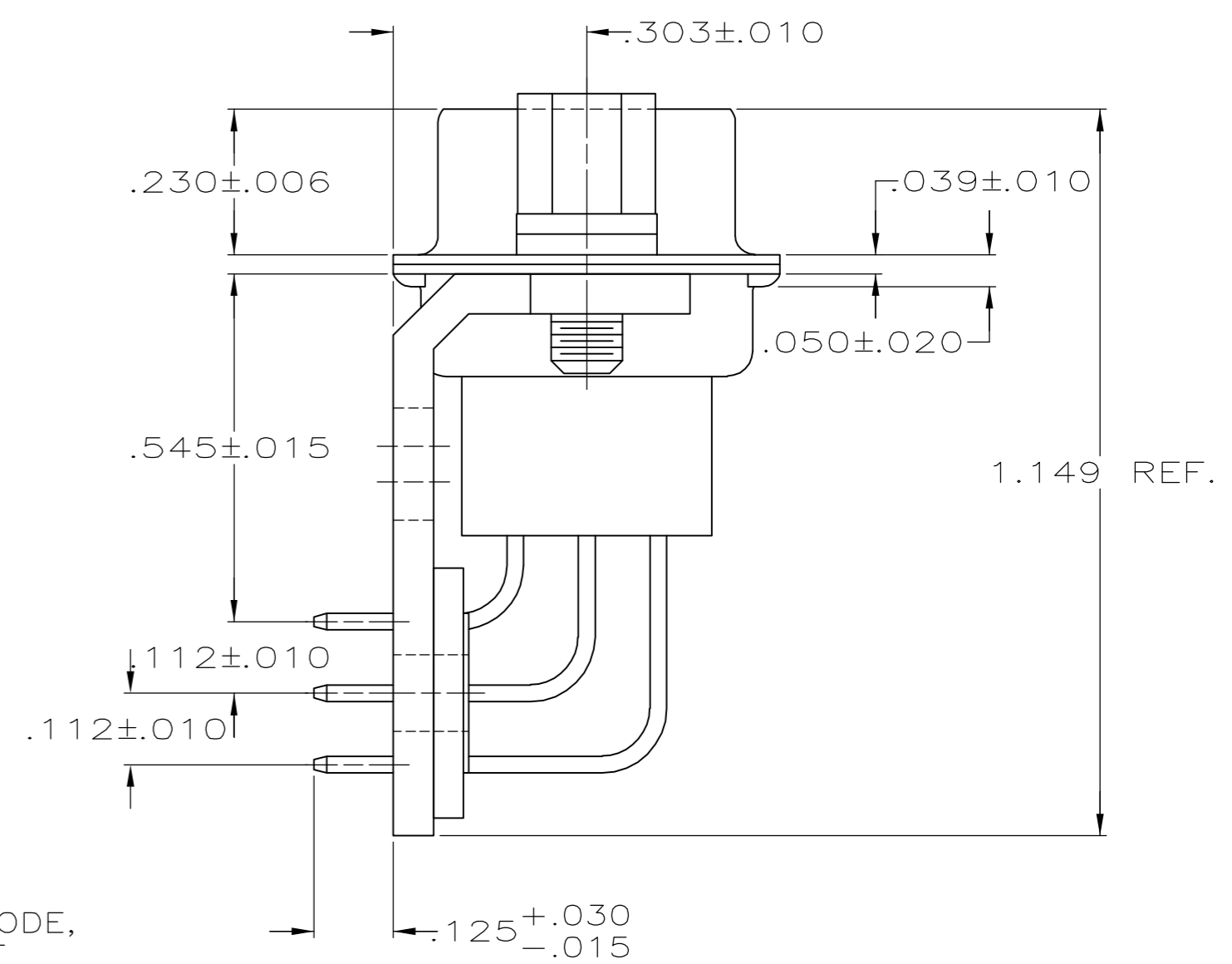
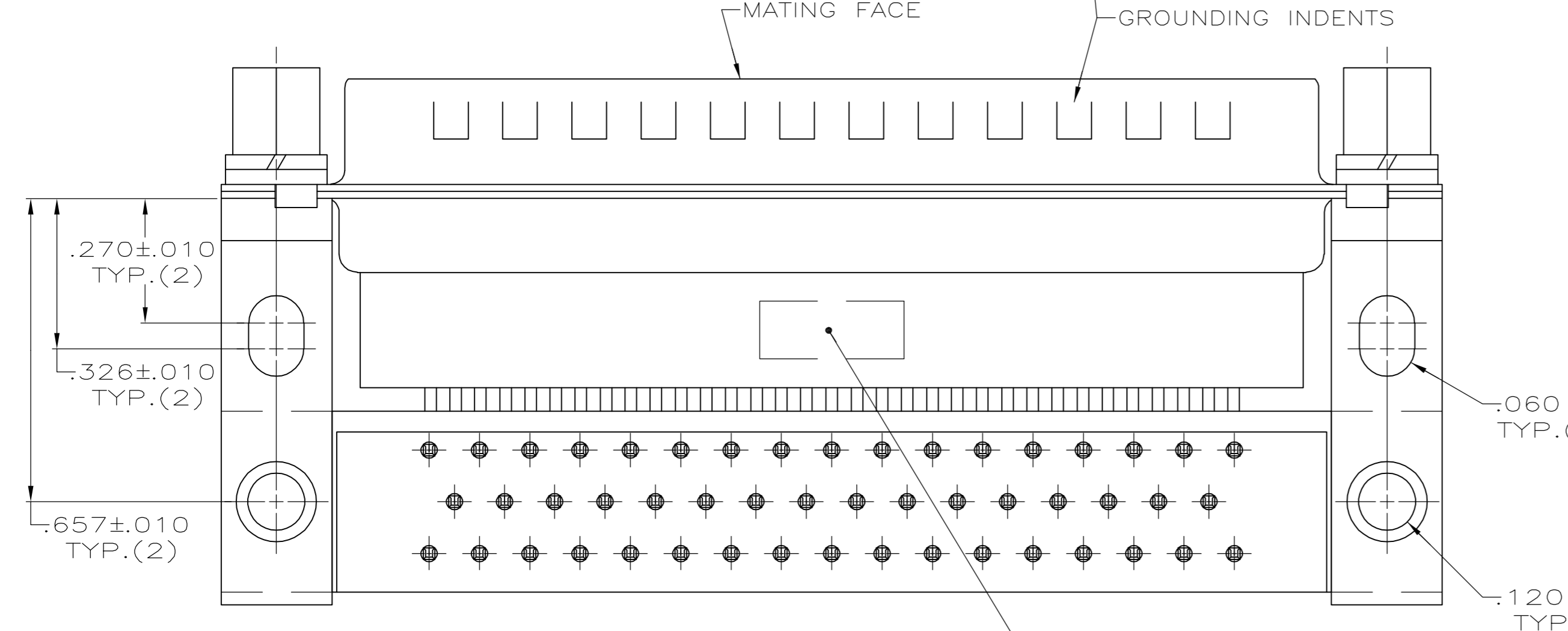


THIS DRAWING IS UNPUBLISHED. RELEASED FOR PUBLICATION
 © COPYRIGHT BY TYCO ELECTRONICS CORPORATION. ALL RIGHTS RESERVED.

LOC		DIST		REVISIONS			
P	LTR	DESCRIPTION	DATE	DWN	APVD		
GP	00			A		REVISED PER ECO-06-028268	8/FEB/07 ZMREDB



- CONNECTOR MATES WITH ANY 50 POS. PLUG IN AMPLIMITE SERIES & COMPLIES WITH AMP SPEC. 108-40005 WHERE APPLICABLE.
- MOLDED PARTS: THERMOPLASTIC, UL 94V-0 RATED, BLACK. SHELLS, BRACKETS, SCREWLOCKS AND WASHERS: CARBON STEEL CONTACTS: PHOS BRONZE EYELETS: BRASS
- BRACKETS: .000200 MIN TIN OVER .000050 MIN COPPER. SHELLS: .000200 MIN TIN OVER .000100 MIN COPPER. EYELETS: UNPLATED SCREWLOCKS & WASHERS: ZINC PLATED WITH CLEAR CHROMATE COATING. CONTACTS: .000030 MIN GOLD FOR A LENGTH OF .150 MIN FROM MATING END, .000100 MIN BRIGHT TIN-LEAD ON OPPOSITE END, BOTH OVER .000050 MIN NICKEL. -OR- GOLD FLASH OVER .000030 MIN PALLADIUM NICKEL FOR A LENGTH OF .150 MIN FROM MATING END, .000100 MIN BRIGHT TIN-LEAD ON OPPOSITE END, BOTH OVER .000050 MIN NICKEL.



COPYRIGHT 2003
 TYCO ELECTRONICS CORP
 ALL RIGHTS RESERVED

1658595	1658595-1
CONTACT FINISH	PART NUMBER

THIS DRAWING IS A CONTROLLED DOCUMENT.		DWN L. BAUM 11AUG03	Tyco Electronics Corporation Harrisburg, PA 17105-3608
DIMENSIONS: INCHES		CHK C. FULP 11AUG03	
TOLERANCES UNLESS OTHERWISE SPECIFIED:		APVD M. WALMSLEY 11AUG03	
0 PLC ± - 1 PLC ± - 2 PLC ± - 3 PLC ± .005 4 PLC ± - ANGLES ± 2° FINISH		NAME PRODUCT SPEC APPLICATION SPEC	
MATERIAL		WEIGHT -	SIZE A2 CAGE CODE 00779 DRAWING NO C=1658595 RESTRICTED TO - CUSTOMER DRAWING SCALE 4:1 SHEET 1 of 1 REV A