

4

3

2

1

THIS DRAWING IS UNPUBLISHED.

RELEASED FOR PUBLICATION

© COPYRIGHT - BY TYCO ELECTRONICS CORPORATION.

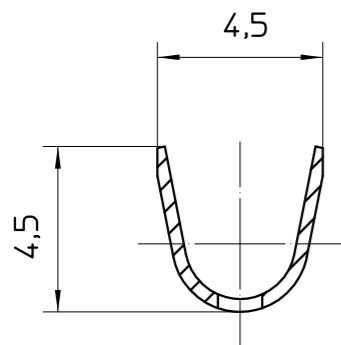
ALL RIGHTS RESERVED.

LOC

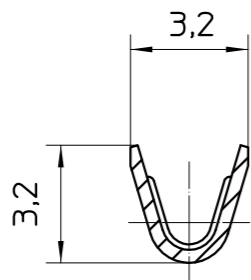
DIST

REVISIONS

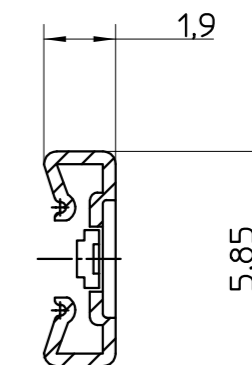
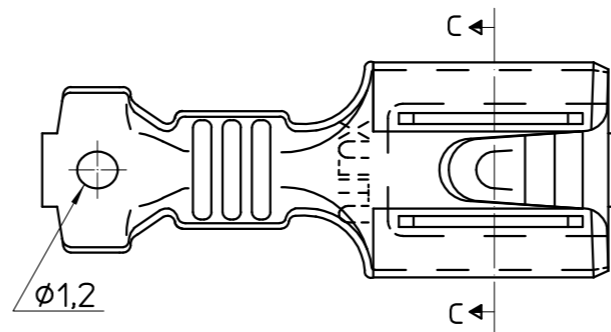
P	LTR	DESCRIPTION	DATE	DWN	APVD
0	-		-	-	-



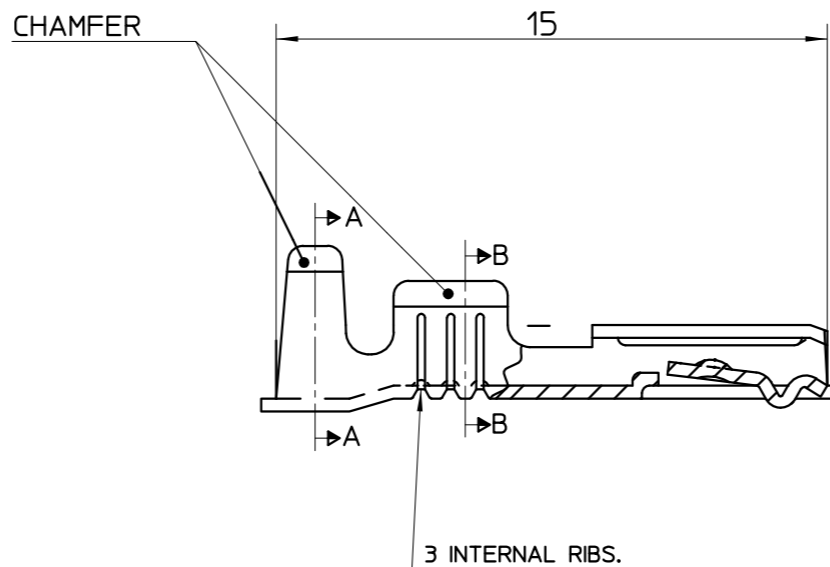
A - A



B - B



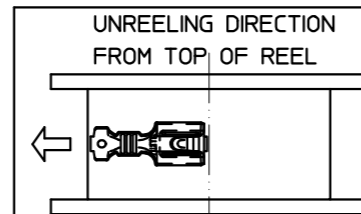
C - C



NOTES:

- 1. WIRE SIZE RANGE:
 CONDUCTOR: 0.5mm² MIN
 1.0mm² MAX.
 INSULATION DIA: 2.0mm MIN.
 3.3 mm MAX.
- 2. MAXIMUM CURRENT RATING: 10A
- 3. RECEPTACLE FOR USE WITH 0.5mm THICK TAB
- 4. FOR CRIMPING DETAILS REFER TO UTILUX CRIMPING CHART NO. H25449

THIS INFORMATION IS CONFIDENTIAL AND PROPRIETARY TO TYCO ELECTRONICS CORPORATION AND ITS WORLDWIDE SUBSIDIARIES AND AFFILIATES. IT MAY NOT BE DISCLOSED TO ANYONE OTHER THAN TYCO ELECTRONICS PERSONNEL WITHOUT WRITTEN PERMISSION FROM TYCO ELECTRONICS CORPORATION, HARRISBURG, PENNSYLVANIA, USA.



THIS DRAWING IS A CONTROLLED DOCUMENT.

ALL DIMENSIONS IN mm:

TOLERANCES UNLESS OTHERWISE SPECIFIED:	
DIMENSION (mm)	TOLERANCE(+/-mm)
LESS THAN 10	0.4
OVER 10 TO 30	0.5
OVER 30 TO 80	0.7
OVER 80 TO 250	1.0
ANGLES	±2°

MATERIAL

FINISH

DWN: W.RIEDE 22.10.04

CHK: H.THAI 22.10.04

APVD: W.RIEDE 22.10.04

PRODUCT SPEC:

APPLICATION SPEC:

WEIGHT:

BRASS RECEPTACLE H25449 1-1659246-0

MATERIAL DESC. DESCRIPTION PART No.

tyco Tyco Electronics Corporation
Electronics AUSTRALIA

NAME: RECEPTACLE QC 4.8x0.5

SIZE	CAGE CODE	DRAWING NO	RESTRICTED TO
A3		©=1659246	-

CUSTOMER DRAWING

SCALE 5:1

SHEET 1 OF 1 REV 0