

4

3

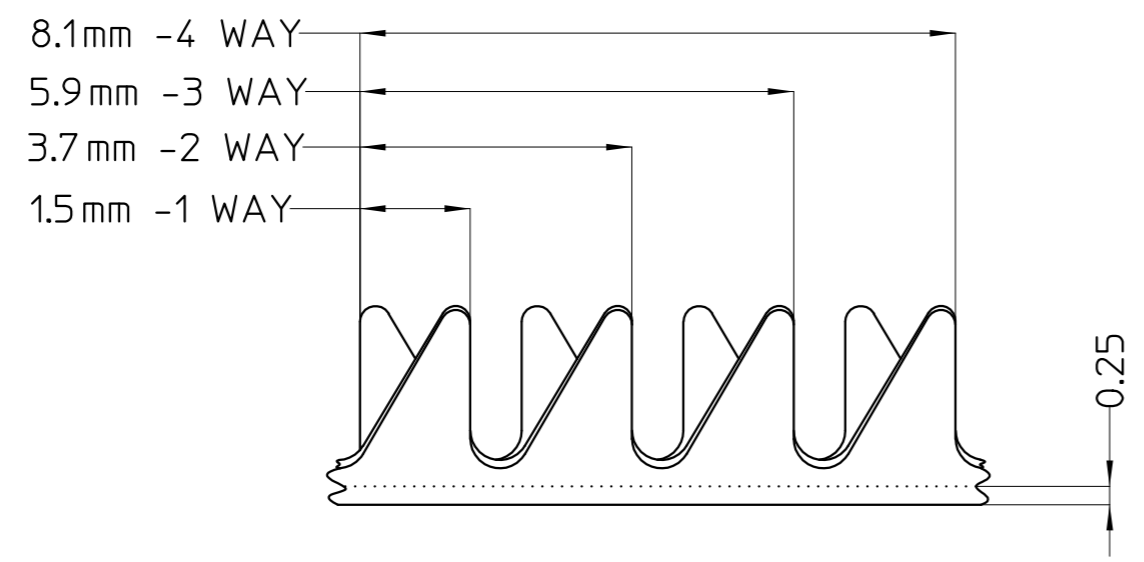
2

1

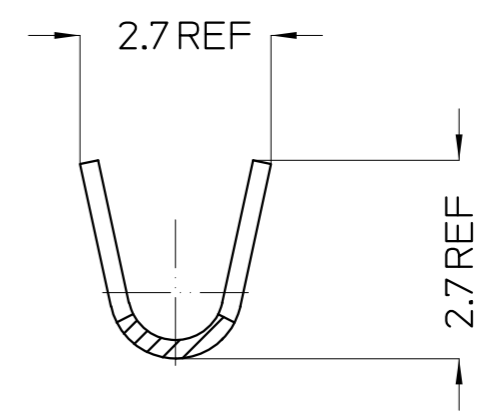
THIS DRAWING IS UNPUBLISHED. RELEASED FOR PUBLICATION
 © COPYRIGHT - BY TYCO ELECTRONICS CORPORATION. ALL RIGHTS RESERVED.

LOC	DIST	REVISIONS					
		P	LTR	DESCRIPTION	DATE	DWN	APVD
U	-	-	-				

CUT TO LENGTH AS REQUIRED



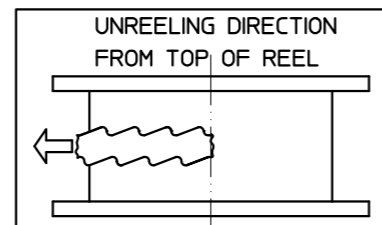
CONTINUOUS STRIP



NOTES

- 1. WIRE RANGE
 CONDUCTOR: 0.5mm² - 1.0mm²

THIS INFORMATION IS CONFIDENTIAL AND PROPRIETARY TO TYCO ELECTRONICS CORPORATION AND ITS WORLDWIDE SUBSIDIARIES AND AFFILIATES. IT MAY NOT BE DISCLOSED TO ANYONE OTHER THAN TYCO ELECTRONICS PERSONNEL WITHOUT WRITTEN AUTHORIZATION FROM TYCO ELECTRONICS CORPORATION, HARRISBURG, PENNSYLVANIA, USA.



THIS DRAWING IS A CONTROLLED DOCUMENT.	
ALL DIMENSIONS IN mm:	TOLERANCES UNLESS OTHERWISE SPECIFIED: DIMENSION (mm) TOLERANCE(+/-mm) LESS THAN 10 0.4 OVER 10 TO 30 0.5 OVER 30 TO 80 0.7 OVER 80 TO 250 1.0 ANGLES ±2°
	MATERIAL: -
	FINISH: -

BRASS 70/30 PRE-TIN	TERMINAL, SHOE LACE H29101	1-1659298-0
MATERIAL DESC.	DESCRIPTION	PART No.

DWN: W.RIEDE 28.4.05		tyco Tyco Electronics Corporation	
CHK: H.THAI 28.4.05		Electronics AUSTRALIA	
APVD: W.RIEDE 28.4.05		NAME: TERMINAL, SHOE LACE	
PRODUCT SPEC: -		SIZE: A3	RESTRICTED TO: -
APPLICATION SPEC: -		CAGE CODE: -	DRAWING NO: © 1659298
WEIGHT: -		SCALE: 10:1	SHEET 1 OF 1
CUSTOMER DRAWING		REV: 0	