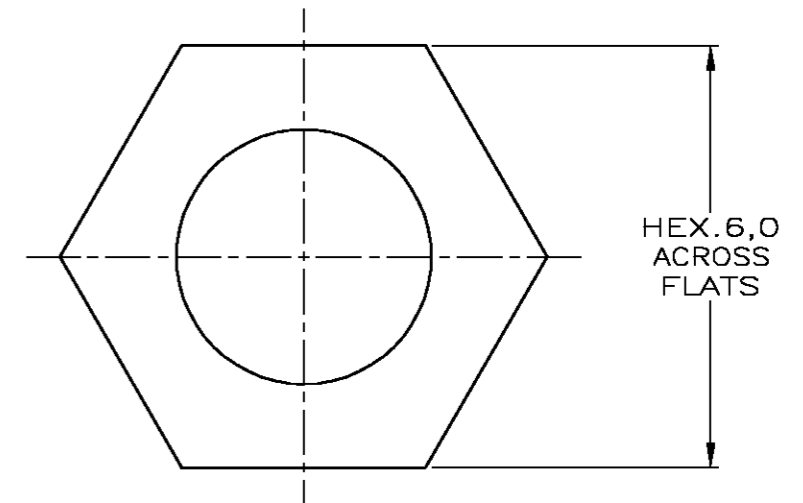
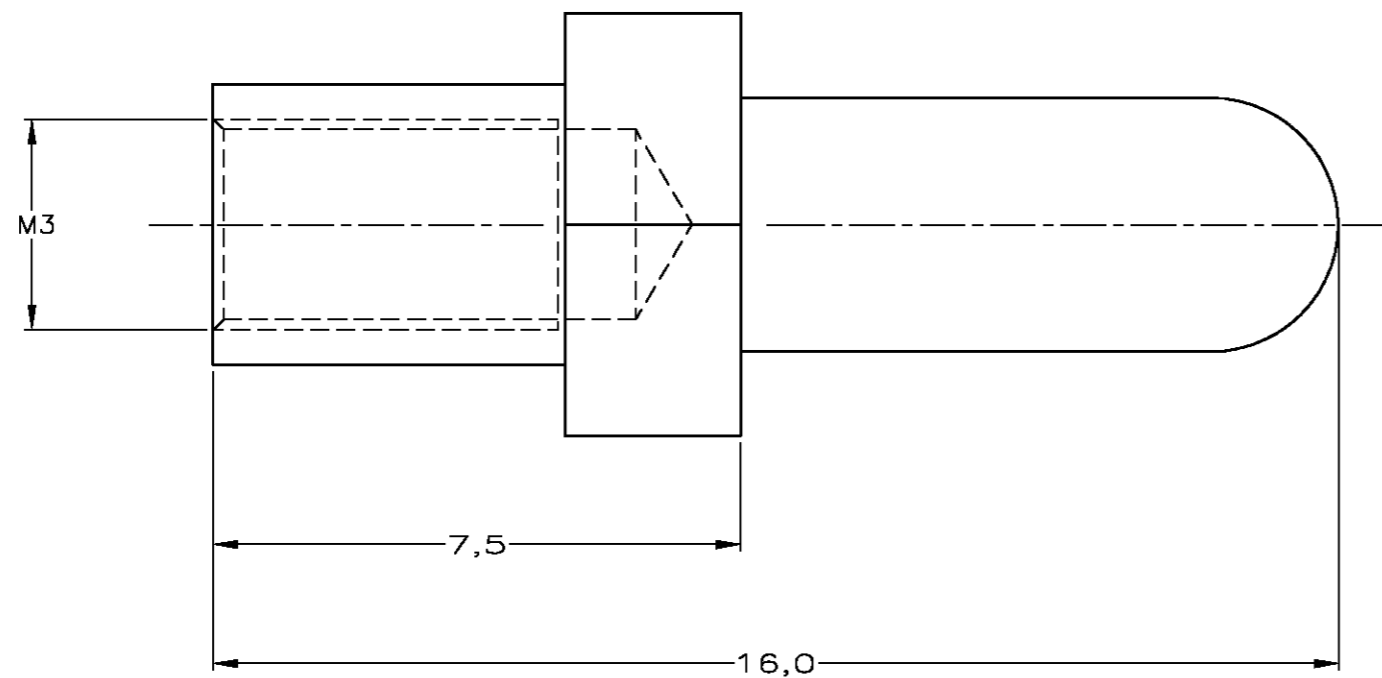


DO NOT SCALE
DIMENSIONS IN mm

METRIC



0,8µm Au OVER 1,3µm Ni	COML. LEAD BRONZE	166547-7
1,2µm Au OVER 1,3µm Ni	COML. LEAD BRONZE	166547-4
3µm Sn OVER 1,3µm Ni	COML. LEAD BRONZE	166547-3
FINISH	MATERIAL	PARTNUMBER

—					CUSTOMER DRAWING		FOR REFERENCE ONLY WILL NOT BE UPDATED					
—					© COPYRIGHT 19 97		BY AMP HOLLAND B.V.					
—					ALL INTERNATIONAL RIGHTS RESERVED.		AMP PRODUCTS MAY BE COVERED BY U.S. AND FOREIGN AND/OR PATENTS PENDING.					
—					THIS DRAWING IS UNPUBLISHED		RELEASED FOR PUBLICATION					
—					—		,19					
—							TYCO ELECTRONICS BELGIUM					
G	SR10-0059-03	FB	FB	5 MAR'03	NAME							
F	EH-0899-97	LvdH	J.G.	20 AUG'97	STANDARD MALE POWER CONTACT (AMP-RS)							
LTR.	REVISION RECORD	DR.	CHK.	DATE								
DR.:	L.V.D.HEIJDEN	CHK.:	J.GIBBELS	APP.:	-	DWG.No.	C-166547	REV.LTR.	G	SHEET	1 OF 1	A3
DATE:	20 AUG.1997	DATE:	-	DATE:	-							